

**CIRCUIT DESCRIPTION.**

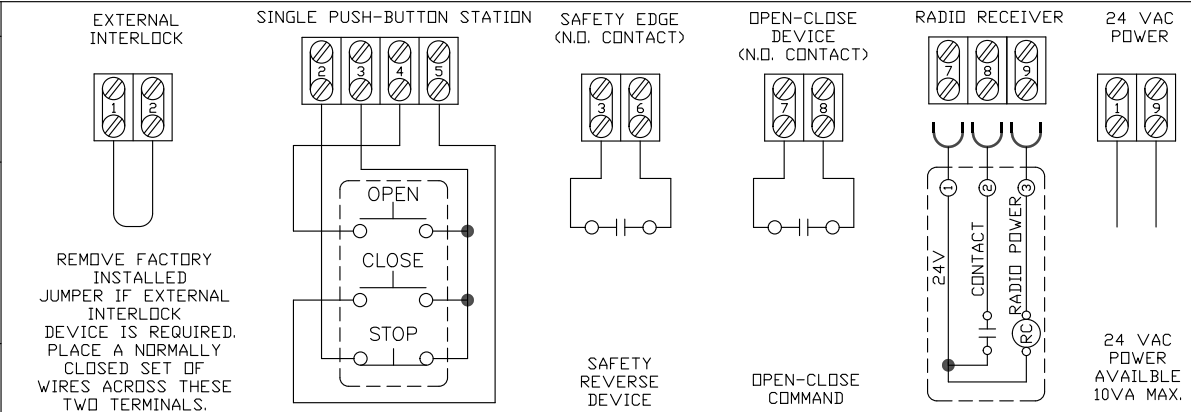
1. 24VAC CONTROL CIRCUIT.
2. OPEN/CLOSE/STOP COMMANDS.
3. SAFETY REVERSE.
4. PRE-WIRE FOR RADIO-CONTROLS, LOOP DETECTORS, PHOTOCELLS ETC.

**\*1-CONTROL WIRING OPTION ON CLOSE:**

THIS OPERATOR LEAVES THE FACTOR WITH A "C2" WIRING-MEANING THAT CONSTANT PRESSURE IS REQUIRED TO CLOSE THE DOOR. IF MOMENTARY OPERATION ON CLOSE "B2" IS DESIRED THEN REMOVE THE WHITE WIRE FROM TERMINAL #5 AND PLACE IT ON TERMINAL #3.

**\*2-TIME DELAY UPON REVERSE:**

IF 1.5 SEC. TIME DELAY UPON REVERSE IS REQUIRED, REMOVE THE PURPLE WIRE FROM TERMINAL #4 AND CONNECT TO ONE END OF TIME-DELAY AND CONNECT THE OTHER END, BACK TO TERMINAL #4.



REMOVE FACTORY INSTALLED JUMPER IF EXTERNAL INTERLOCK DEVICE IS REQUIRED. PLACE A NORMALLY CLOSED SET OF WIRES ACROSS THESE TWO TERMINALS.

SAFETY REVERSE DEVICE

OPEN-CLOSE COMMAND

24 VAC POWER AVAILABLE 10VA MAX.

		<b>TECH. HELP LINE:</b> CANADA: 1-(877) 888-1116 USA: 1-(888) 816-8584	
		<b>TITLE</b>	1-PHASE WIRING SCHEMATIC
<b>DWG. NO.</b>	MS100-S	<b>DATE</b>	<b>REV</b>
<b>VERIFIED BY</b>	C.S.	14.04.09	D
<b>CLIENT</b>			
<b>PROJECT</b>			
<b>MANUFACTURER</b>	MICANAN SYSTEMS INC.		