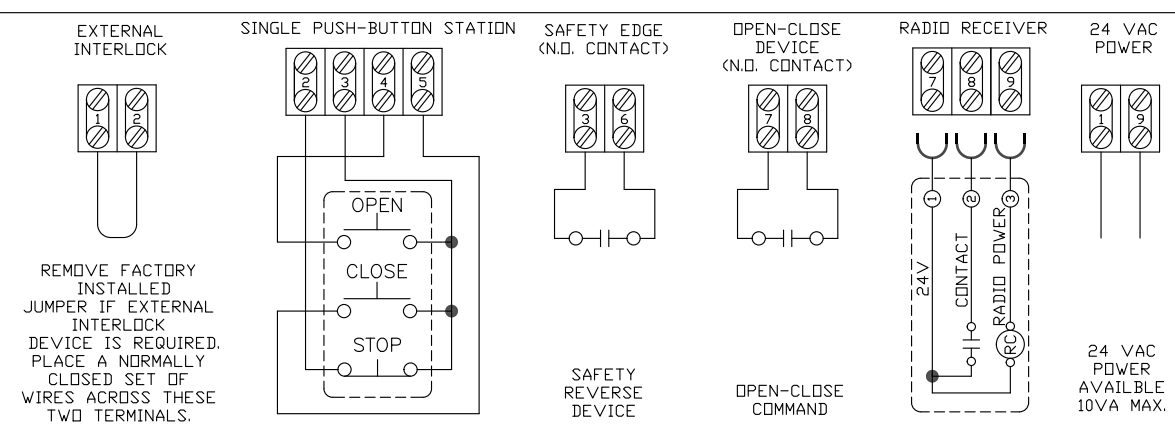


TO REVERSE MOTOR ROTATION, INTER-CHANGE ANY TWO OF THE 3 INCOMING POWER LINES CONNECTING TO POWER SUPPLY TERMINAL STRIP L1, L2, L3.

CIRCUIT DESCRIPTION.

1. 24VAC CONTROL CIRCUIT.
 2. OPEN/CLOSE/STOP COMMANDS.
 3. SAFETY REVERSE.
 4. PRE-WIRE FOR RADIO-CONTROLS, LOOP DETECTORS, PHOTOCELLS ETC.
- TIMER TO CLOSE FUNCTION:**
 AUTOMATIC TIMER TO CLOSE IS ACTIVATED WHEN DOOR IS FULLY OPEN. TIMER IS RESET BY OPEN-DOOR DEVICE AND SAFETY DEVICE.
 *THIS OPERATOR LEAVES THE FACTORY WITH RADIO CONTROL TO OPEN ONLY AND REFRESH TIMER. IF RADIO CONTROL IS REQUIRED TO OPEN AND CLOSE, REMOVE BLUE WIRE FROM TB4 (OR FROM TIME-DELAY (IF USED)) AND PLACE ON TB8.
 NOTE: FOR SAFETY REASONS, MICANAN DOES NOT RECOMMEND THAT THE RADIO CONTROL CLOSE THE DOOR WHEN A TIMER IS USED.
- TIME DELAY UPON REVERSE:**
 IF 1.5 SEC. TIME DELAY UPON REVERSE IS REQUIRED, REMOVE THE PURPLE AND BLUE WIRES FROM TERMINAL #4 AND CONNECT TO ONE END OF TIME-DELAY AND CONNECT THE OTHER END, BACK TO TERMINAL #4.



REMOVE FACTORY INSTALLED JUMPER IF EXTERNAL INTERLOCK DEVICE IS REQUIRED. PLACE A NORMALLY CLOSED SET OF WIRES ACROSS THESE TWO TERMINALS.

SAFETY REVERSE DEVICE

OPEN-CLOSE COMMAND

24 VAC POWER AVAILABLE 10VA MAX.

| | | | |
|---------------------|-----------------------------|--|---------------------------------|
| | | TECH. HELP LINE: CANADA: 1-(877) 888-1116 USA: 1-(888) 816-8584 | |
| | | TITLE | 3-PHASE WIRING SCHEMATIC |
| DWG. NO. | MS300TC-S | DATE | REV |
| VERIFIED BY | C.S. | 24.04.09 | H |
| CLIENT | | | |
| PROJECT | | | |
| MANUFACTURER | MICANAN SYSTEMS INC. | | |

THE INFORMATION CONTAINED HEREIN IS PROPRIETARY TO MICANAN SYSTEMS INC. AND SHALL NOT BE REPRODUCED OR DISCLOSED OR USED FOR ANY DESIGN OR MANUFACTURE EXCEPT WHEN USER POSSESSES DIRECT WRITTEN AUTHORISATION FROM MICANAN SYSTEMS INC.