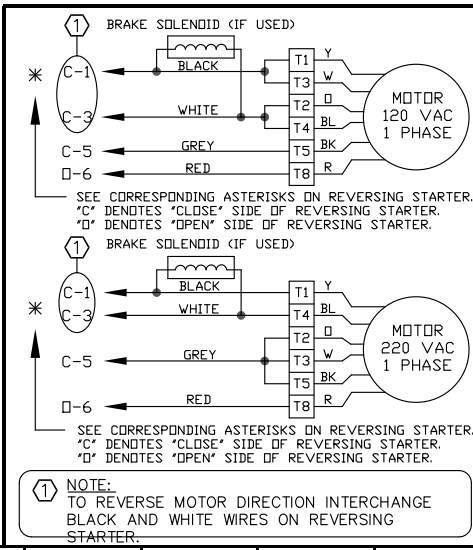


FOR 220V:  
 ⚠ REMOVE BLACK WIRE FROM C6 AND PLACE ON O4  
 ⚠ JUMPER NOT REQUIRED (PLEASE REMOVE)  
 NOTE:  
 - MOTOR RELAY(M), TRANSFORMER AND SOLENOID (IF APPLICABLE) MUST BE 220V.  
 - CIRCUIT BREAKER MUST BE APPROPRIATE AMPERAGE.  
 - MOTOR MUST BE WIRED FOR 220V AS SHOWN ABOVE.

⚠ CONTROL WIRING OPTION ON CLOSE:  
 THIS OPERATOR LEAVES THE FACTORY WITH A "C2" WIRING - MEANING THAT CONSTANT PRESSURE IS REQUIRED TO CLOSE THE DOOR.  
 IF MOMENTARY OPERATION ON CLOSE - "B2" WIRING - IS DESIRED, THEN REMOVE THE WHITE WIRE FROM TERMINAL #5 AND PLACE ON TERMINAL #3

⚠ IF STOP BUTTON NOT USED, ADD JUMPER BETWEEN 2 & 3.

⚠ WARNING  
 MICANAN STRONGLY RECOMMENDS THE USE OF ENTRAPMENT PROTECTION SYSTEMS WHEN B2 (MOMENTARY CONTACT) WIRING IS USED.



1- Phase Pro-EJ/EHJ  
 MS100LS-WW  
 REV. G DATE: 10.10.13  
 TECH. HELP LINE:  
 CANADA: 1-(877) 888-1116  
 USA: 1-(888) 816-8584

