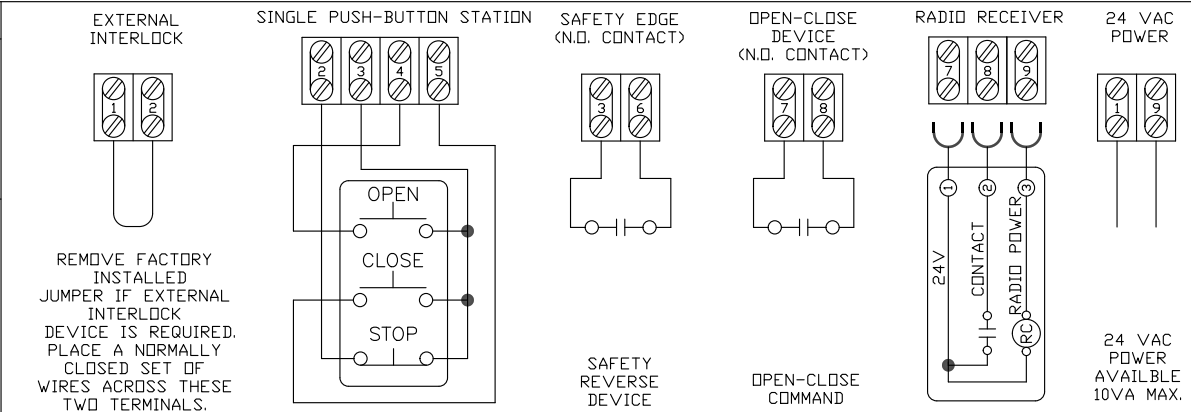


CIRCUIT DESCRIPTION.

1. 24VAC CONTROL CIRCUIT.
2. OPEN/CLOSE/STOP COMMANDS.
3. SAFETY REVERSE.
4. PRE-WIRE FOR RADIO-CONTROLS, LOOP DETECTORS, PHOTOCELLS ETC.

*1- **CONTROL WIRING OPTION ON CLOSE:**
 THIS OPERATOR LEAVES THE FACTORY WITH A " C2 " WIRING- MEANING THAT CONSTANT PRESSURE IS REQUIRED TO CLOSE THE DOOR.
 IF MOMENTARY OPERATION ON CLOSE- "B2" IS DESIRED THEN REMOVE THE WHITE WIRE FROM TERMINAL #5 AND PLACE IT ON TERMINAL #3.
 NOTE: WHEN CONSTANT PRESSURE OPEN IS REQUIRED, INSTALL YELLOW WIRE FROM TB3 ONTO TB4.



REMOVE FACTORY INSTALLED JUMPER IF EXTERNAL INTERLOCK DEVICE IS REQUIRED. PLACE A NORMALLY CLOSED SET OF WIRES ACROSS THESE TWO TERMINALS.

SAFETY REVERSE DEVICE

OPEN-CLOSE COMMAND

24 VAC POWER AVAILABLE 10VA MAX.

THE INFORMATION CONTAINED HEREIN IS PROPRIETARY TO MICANAN SYSTEMS INC. AND SHALL NOT BE REPRODUCED OR DISCLOSED OR USED FOR ANY DESIGN OR MANUFACTURE EXCEPT WHEN USER POSSESSES DIRECT WRITTEN AUTHORISATION FROM MICANAN SYSTEMS INC.

		TECH. HELP LINE: CANADA: 1-(877) 888-1116 USA: 1-(888) 816-8584	
		TITLE 3-PHASE WIRING SCHEMATIC	DWG. NO. MS300LS-S
VERIFIED BY C.S.	DATE 04.08.09	REV D	
CLIENT			
PROJECT			
MANUFACTURER	MICANAN SYSTEMS INC.		