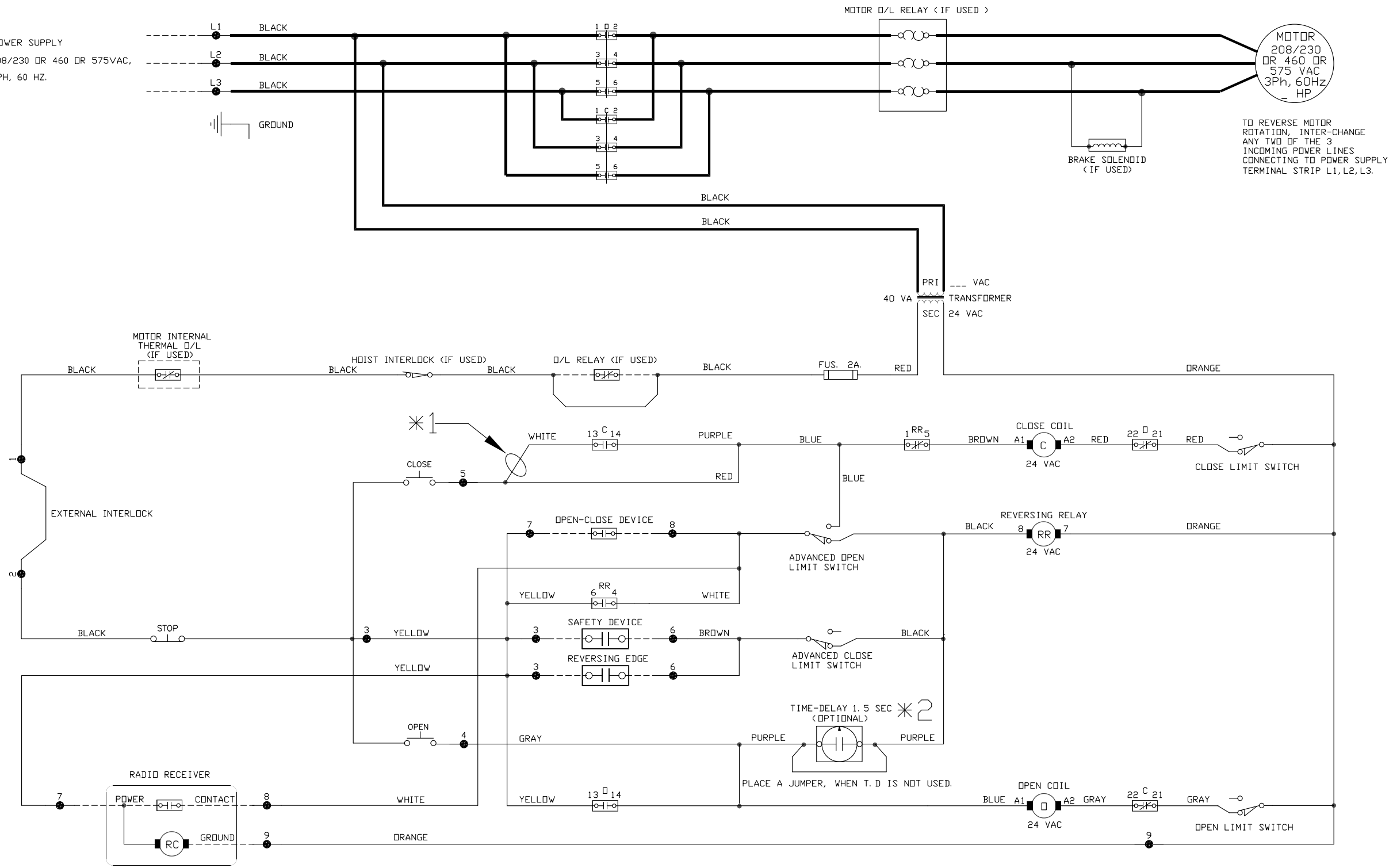


POWER SUPPLY  
208/230 OR 460 OR 575VAC,  
3PH, 60 HZ.



MOTOR  
208/230  
OR 460 OR  
575 VAC  
3Ph, 60Hz  
- HP

TO REVERSE MOTOR  
ROTATION, INTER-CHANGE  
ANY TWO OF THE 3  
INCOMING POWER LINES  
CONNECTING TO POWER SUPPLY  
TERMINAL STRIP L1, L2, L3.

CIRCUIT DESCRIPTION.

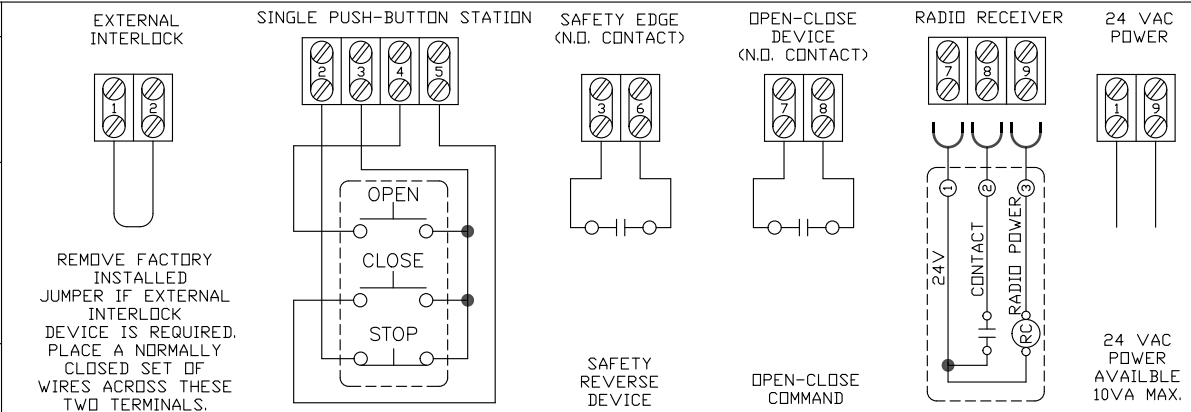
1. 24VAC CONTROL CIRCUIT.
2. OPEN/CLOSE/STOP COMMANDS.
3. SAFETY REVERSE.
4. PRE-WIRE FOR RADIO-CONTROLS, LOOP DETECTORS, PHOTOCELLS ETC.

\*1-CONTROL WIRING OPTION ON CLOSE:

THIS OPTION LEAVES THE FACTOR WITH A "C2" WIRING-MEANING THAT CONSTANT PRESSURE IS REQUIRED TO CLOSE THE DOOR. IF MOMENTARY OPERATION ON CLOSE "B2" IS DESIRED THEN REMOVE THE WHITE WIRE FROM TERMINAL #5 AND PLACE IT ON TERMINAL #3.

\*2-TIME DELAY UPON REVERSE:

IF 1.5 SEC. TIME DELAY UPON REVERSE IS REQUIRED, REMOVE THE PURPLE WIRE FROM TERMINAL #4 AND CONNECT TO ONE END OF TIME-DELAY AND CONNECT THE OTHER END, BACK TO TERMINAL #4.



REMOVE FACTORY INSTALLED JUMPER IF EXTERNAL INTERLOCK DEVICE IS REQUIRED. PLACE A NORMALLY CLOSED SET OF WIRES ACROSS THESE TWO TERMINALS.

SAFETY REVERSE DEVICE

OPEN-CLOSE COMMAND

24 VAC POWER AVAILABLE 10VA MAX.

		<b>TECH. HELP LINE:</b> CANADA: 1-(877) 888-1116 USA: 1-(888) 816-8584	
		<b>TITLE</b>	<b>3-PHASE WIRING SCHEMATIC</b>
<b>DWG. NO.</b>	<b>MS300-S</b>	<b>DATE</b>	<b>REV</b>
<b>VERIFIED BY</b>	<b>C.S.</b>	<b>24.04.09</b>	<b>E</b>
<b>CLIENT</b>			
<b>PROJECT</b>			
<b>MANUFACTURER</b>	<b>MICANAN SYSTEMS INC.</b>		