

WARNING
 MICANAN STRONGLY RECOMMENDS THE USE OF ENTRAPMENT PROTECTION SYSTEMS WHEN B2 (MOMENTARY CONTACT) WIRING IS USED.

FOR 220V:
 REMOVE BLACK WIRE FROM C6 AND PLACE ON O4 JUMPER NOT REQUIRED (PLEASE REMOVE)

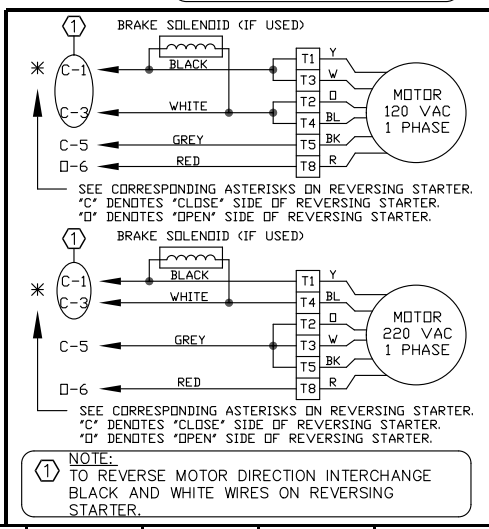
NOTE:
 - MOTOR RELAY(M), TRANSFORMER AND SOLENOID (IF APPLICABLE) MUST BE 220V.
 - CIRCUIT BREAKER MUST BE APPROPRIATE AMPERAGE.
 - MOTOR MUST BE WIRED FOR 220V AS SHOWN ABOVE.

IF STOP BUTTON NOT USED, ADD JUMPER BETWEEN 2 & 3.

TIME DELAY UPON REVERSE (OPTIONAL)
 IF 1.5 SEC TIME-DELAY UPON SAFETY REVERSE IS REQUIRED. REMOVE THE PURPLE AND BLUE WIRES FROM TERMINAL #4, AND CONNECT TO ONE END OF THE DOOR AND OTHER END, BACK TO TERMINAL #4.

TIMER TO CLOSE FUNCTION.
 AUTOMATIC TIMER TO CLOSE IS ACTIVATED WHEN DOOR IS FULL OPEN. THIS OPERATOR LEAVES THE FACTORY WITH RADIO CONTROL TO OPEN ONLY AND REFRESH TIMER. IF RADIO CONTROL IS REQUIRED TO OPEN AND CLOSE, REMOVE BLUE WIRE FROM TB4 (OR FROM TIME-DELAY (IF USED)) AND PLACE ON TB8.
 NOTE: FOR SAFETY REASONS, MICANAN DOES NOT RECOMMEND THAT THE RADIO CONTROL CLOSE THE DOOR WHEN A TIMER IS USED.

NOTE: MINIMUM 18 AWG WIRE MUST BE USED FOR FIELD CONNECTIONS.



1-Phase Timer To Close
 MS100TC-WW
 REV. HDATE: 10.10.13
 TECH. HELP LINE:
 CANADA: 1-(877) 888-1116
 USA: 1-(888) 816-8584

