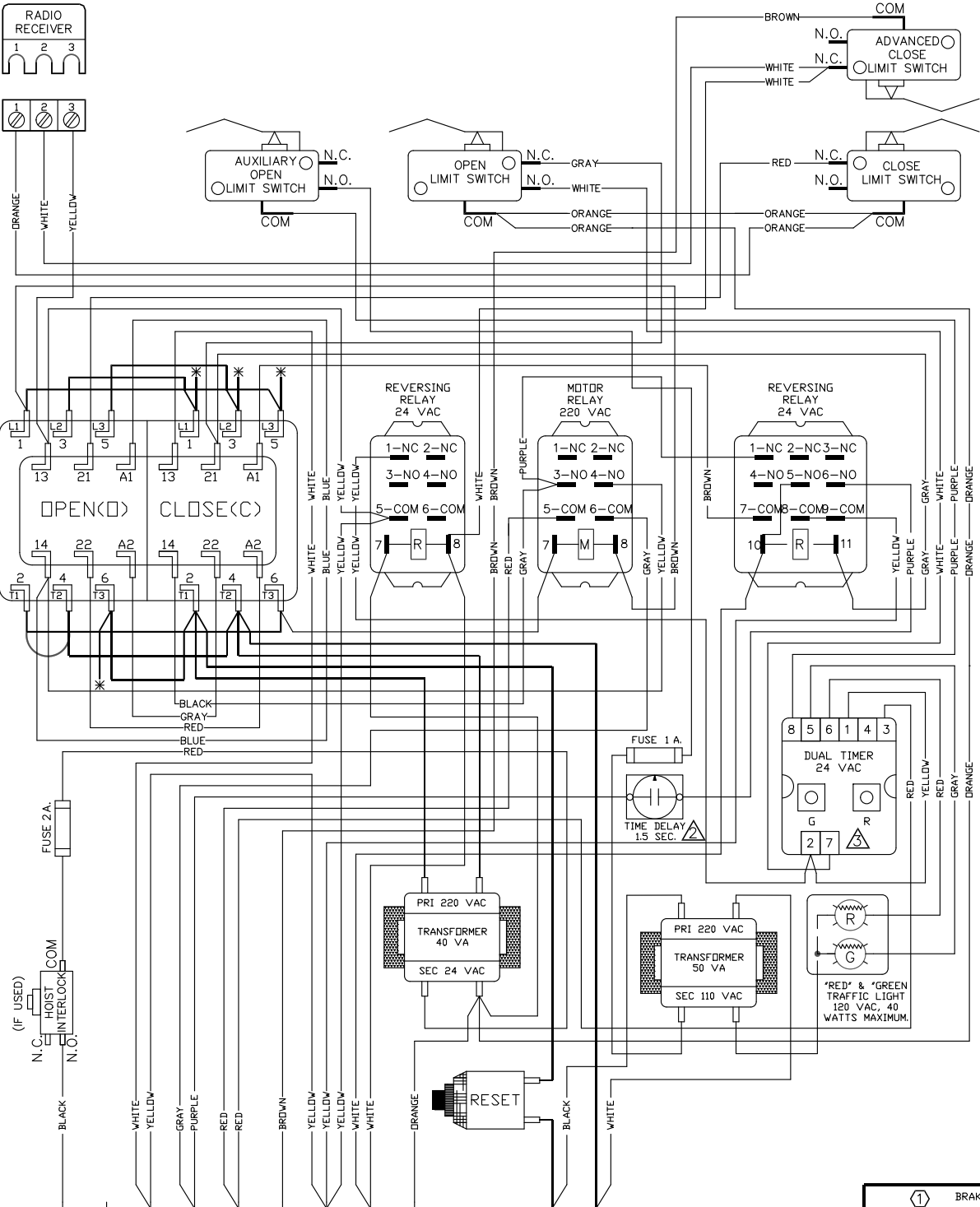


OPEN

CLOSE



⚠ IF STOP BUTTON NOT USED, ADD JUMPER BETWEEN 2 & 3.

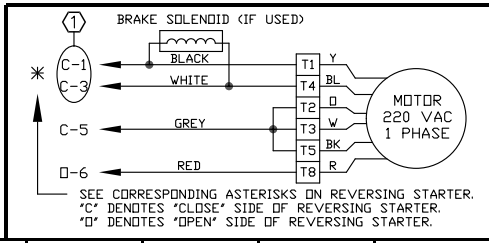
⚠ TIME DELAY UPON REVERSE. (OPTIONAL)
IF 1.5 SEC TIME-DELAY UPON SAFETY REVERSE IS REQUIRED. REMOVE THE PURPLE WIRE FROM TERMINAL #4, AND CONNECT TO ONE END OF TIME-DELAY AND OTHER END, BACK TO TERMINAL #4.

⚠ TRAFFIC LIGHT SEQUENCE:
WHEN DOOR IS FULLY OPEN, GREEN LIGHT ON FOR AN ADJUSTABLE TIME SET BY "GREEN" DIAL ON DUAL TIMER, AFTER GREEN LIGHT TURNS OFF, RED LIGHT TURNS ON FOR AN ADJUSTABLE PERIOD SET BY "RED" DIAL ON DUAL TIMER. WHEN RED LIGHT TURNS OFF, DOOR CLOSES. ACTIVATION OF ANY SAFETY OR OPEN DEVICES WILL REFRESH THE TRAFFIC LIGHT SEQUENCE.

NOTE: MINIMUM 18 AWG WIRE MUST BE USED FOR FIELD CONNECTIONS.

⚠ WARNING
MICANAN STRONGLY RECOMMENDS THE USE OF ENTRAPMENT PROTECTION SYSTEMS WHEN B2 (MOMENTARY CONTACT) WIRING IS USED.

① NOTE:
TO REVERSE MOTOR DIRECTION INTERCHANGE BLACK AND WHITE WIRES ON REVERSING STARTER.



1-Phase Apartment
MS100APT-DT-220V-WW
REV. C DATE: 10.10.13
TECH. HELP LINE:
CANADA: 1-(877) 888-1116
USA: 1-(888) 816-8584

