

**NOTE:**  
CONTROL WIRING OPTION ON CLOSE:  
THIS OPERATOR LEAVES THE FACTORY WITH A "C2" WIRING - MEANING THAT CONSTANT PRESSURE IS REQUIRED TO CLOSE THE DOOR.  
IF MOMENTARY OPERATION ON CLOSE - "B2" WIRING - IS DESIRED, THEN RE-INSTALL THE PURPLE WIRE ON TO TERMINAL #5.

**IF STOP BUTTON NOT USED, ADD JUMPER BETWEEN 2 & 3.**

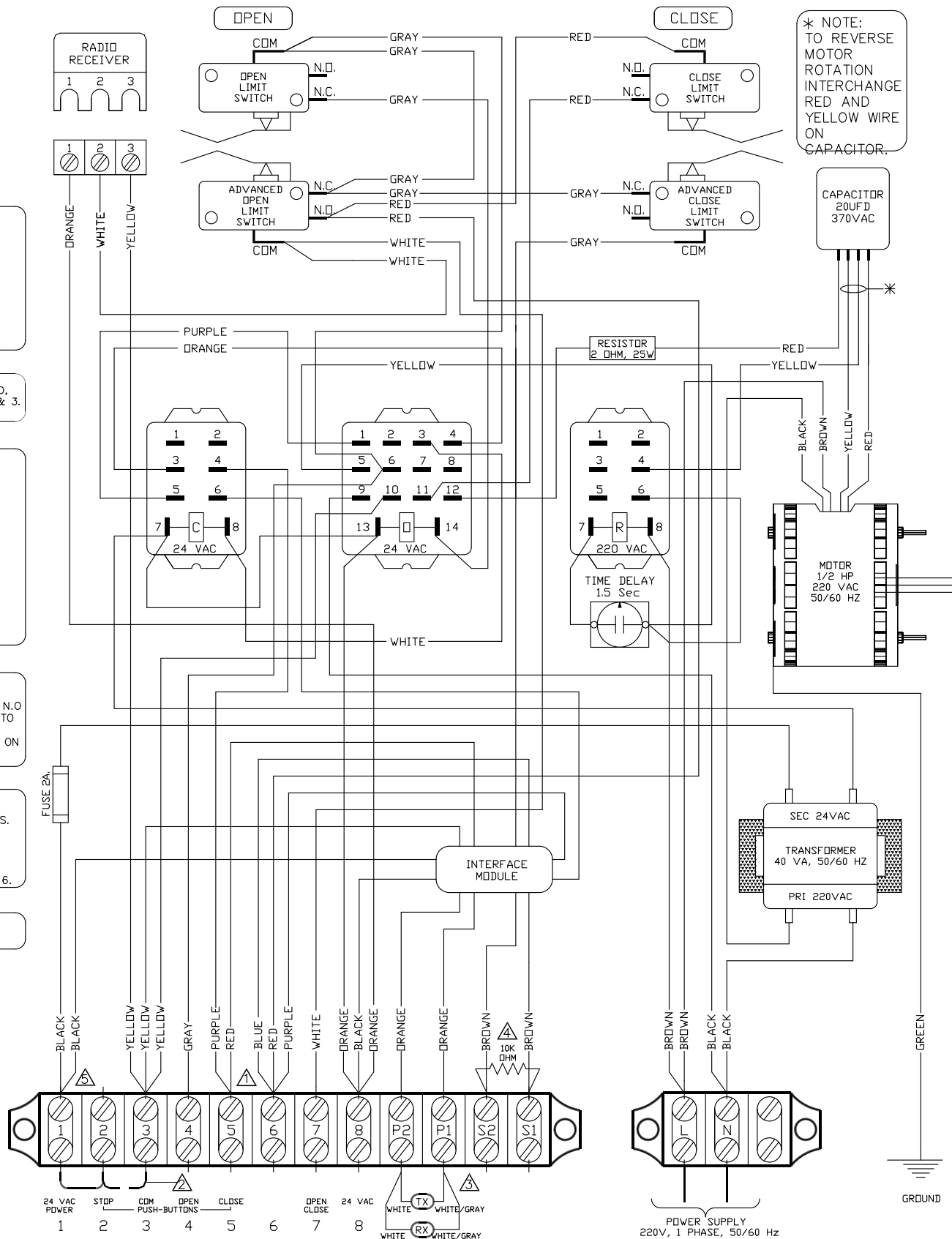
**MICANAN PHOTO-BEAMS (OR MICANAN COMPATIBLE MONITORED REVERSING DEVICES) MUST BE CONNECTED FOR THE DOOR TO CLOSE IN MOMENTARY MODE. IF MONITORED REVERSING DEVICES ARE NOT CONNECTED, DOOR CAN ONLY BE CLOSED BY CONSTANT PRESSURE ON CLOSE AND IF CONSTANT PRESSURE ON CLOSE IS REMOVED BEFORE DOOR REACHES FULL CLOSE POSITION, DOOR REVERSES TO FULL OPEN. NOTE: ONLY ONE MONITORED DEVICE CAN BE CONNECTED TO P1 AND P2**

**ANY SECONDARY REVERSING DEVICE(S) WITH A N.O CONTACT CAN BE INSTALLED TO S1 AND S2. DO NOT REMOVE RESISTOR UNLESS INSTALLING ON A 4-WIRE ELECTRIC EDGE.**

**CONNECT THE BLACK WIRE TO TERMINAL 1 AFTER ADJUSTING THE LIMITS. BEFORE CONNECTING BLACK WIRE TO TERMINAL 1, DOOR CAN BE CLOSED BY CONSTANT PRESSURE BY JUMPING TERMINALS 3 AND 6.**

**NOTE: MINIMUM 18 AWG WIRE MUST BE USED FOR FIELD CONNECTIONS.**

**\* NOTE:**  
TO REVERSE MOTOR ROTATION INTERCHANGE RED AND YELLOW WIRE ON CAPACITOR.



Pro-GJ, 1/2HP, 220V, 50/60HZ, 1Ø  
MSGJ2-IM-WW  
REV. D DATE: 29.08.12  
TECH. HELP LINE:  
CANADA: 1-(877) 888-1116  
USA: 1-(888) 816-8584



<p>EXTERNAL INTERLOCK</p> <p>REMOVE FACTORY INSTALLED JUMPER IF EXTERNAL INTERLOCK DEVICE IS REQUIRED. PLACE A NORMALLY CLOSED SET OF WIRES ACROSS THESE TWO TERMINALS.</p>	<p>SINGLE PUSH-BUTTON STATION</p>	<p>MICANAN FAIL-SAFE PHOTO BEAM</p>	<p>SAFETY EDGE (N.O. CONTACT)</p> <p>SAFETY REVERSE DEVICE</p>	<p>OPEN-CLOSE DEVICE (N.O. CONTACT)</p> <p>OPEN-CLOSE COMMAND</p>	<p>RADIO RECEIVER</p>	<p>24 VAC POWER</p> <p>24 VAC POWER AVAILABLE 10VA MAX.</p>
---	-----------------------------------	-------------------------------------	--	---	-----------------------	---