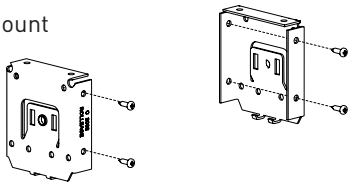


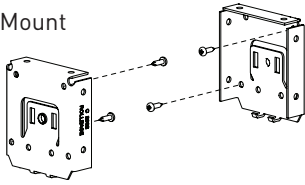
SECTION C | ASSEMBLY & INSTALLATION

3" FASCIA - SKYLINE

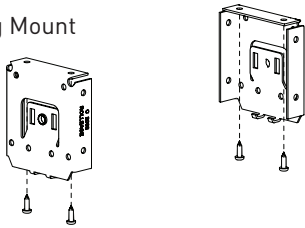
Wall Mount



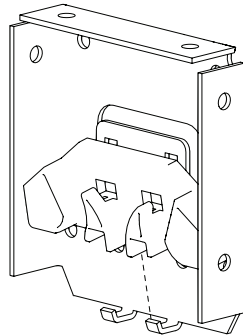
Inside Mount



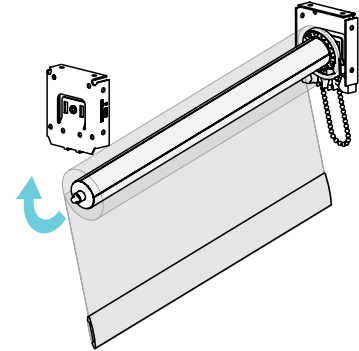
Ceiling Mount



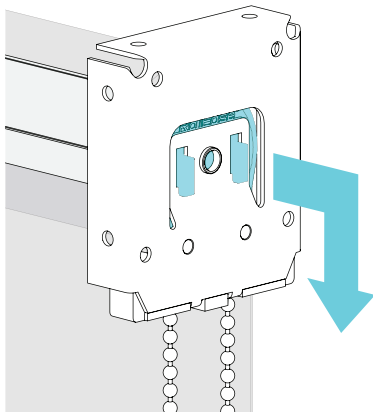
Attach Chain Diverter



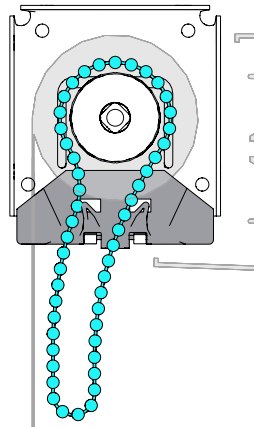
Align Clutch end first, swing assembly to bracket



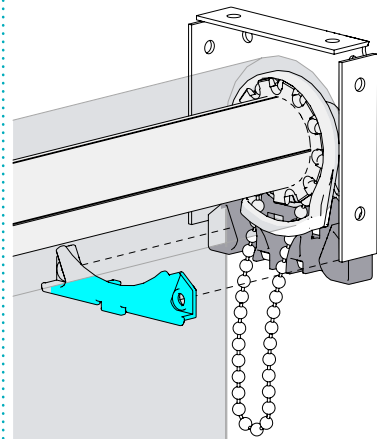
Ensure Clutch Hooks engage Bracket



Align the chain in the diverter (SAME POSITION FOR ALL CLUTCHES)



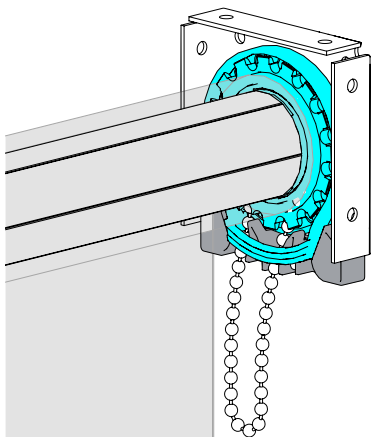
SL10 & SL15:
Attach Chain Diverter Cover



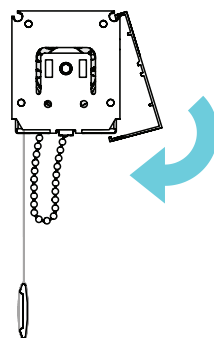
This allows room for fascia attachment

If needed, secure the cover with screws

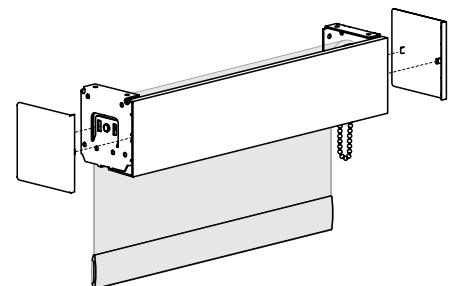
SL20 & G200
(No Cover)



Attach Fascia Cover. Swing from top

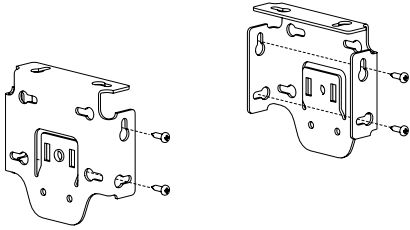


Attach Bracket Covers

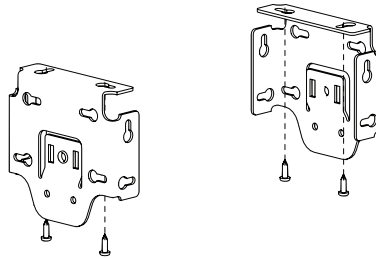


4" FASCIA - SKYLINE

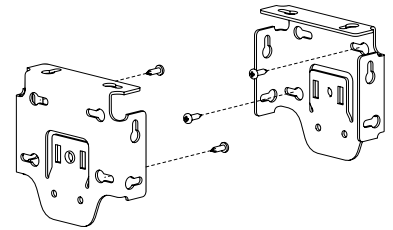
Wall Mount



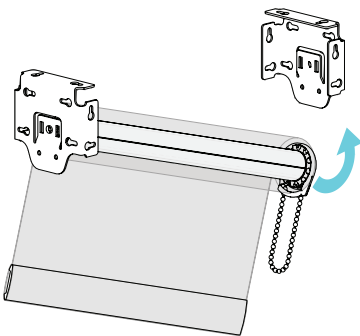
Ceiling Mount



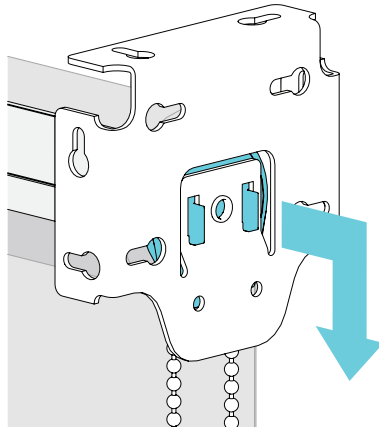
Inside Mount



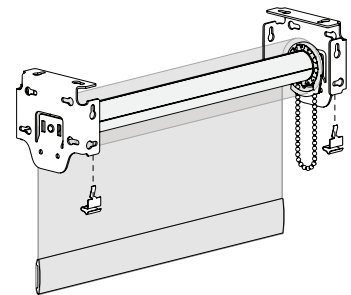
Compress Idler, swing assembly to bracket



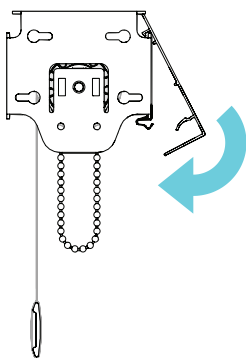
Ensure Clutch Hooks engage Bracket



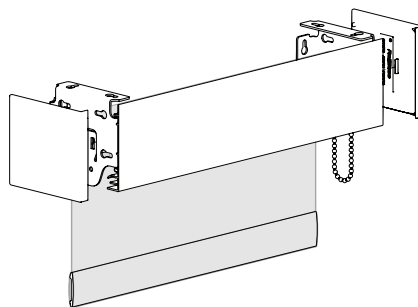
Attach Bracket Clip



Attach Fascia Cover. Swing from top

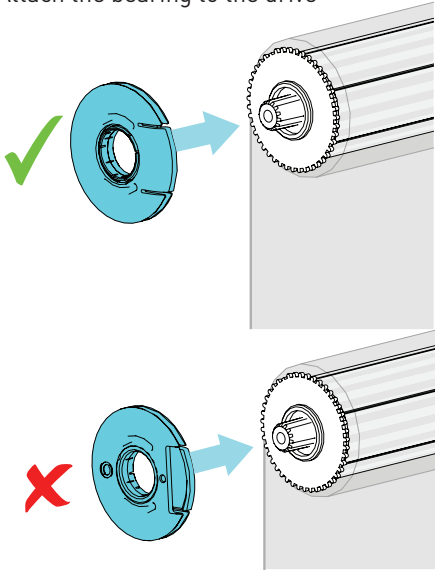


Attach Bracket Covers

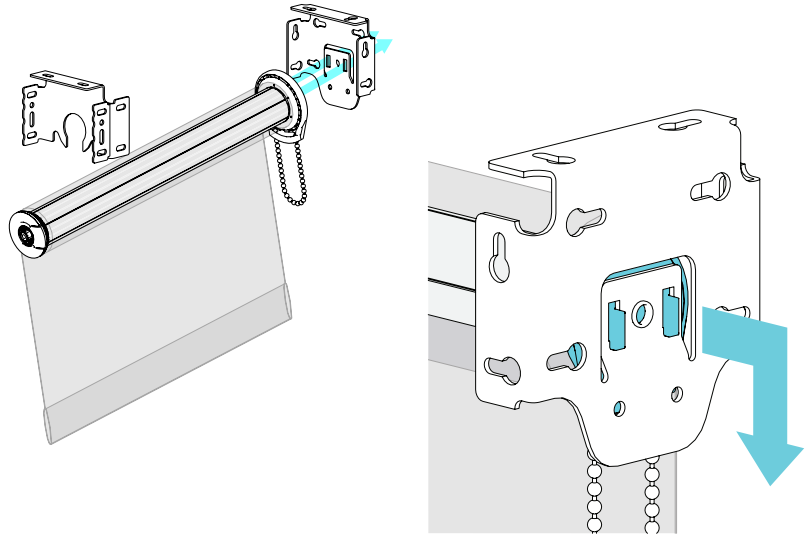


4" FASCIA - EASY LINK SYSTEM

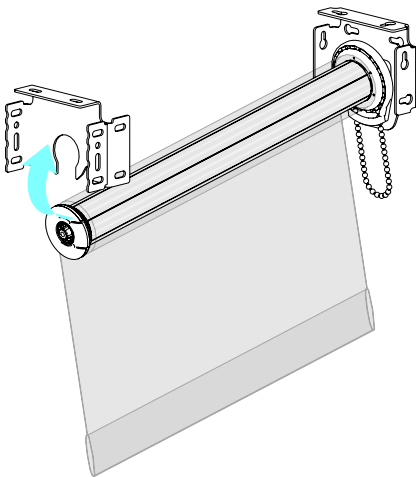
Attach the bearing to the drive



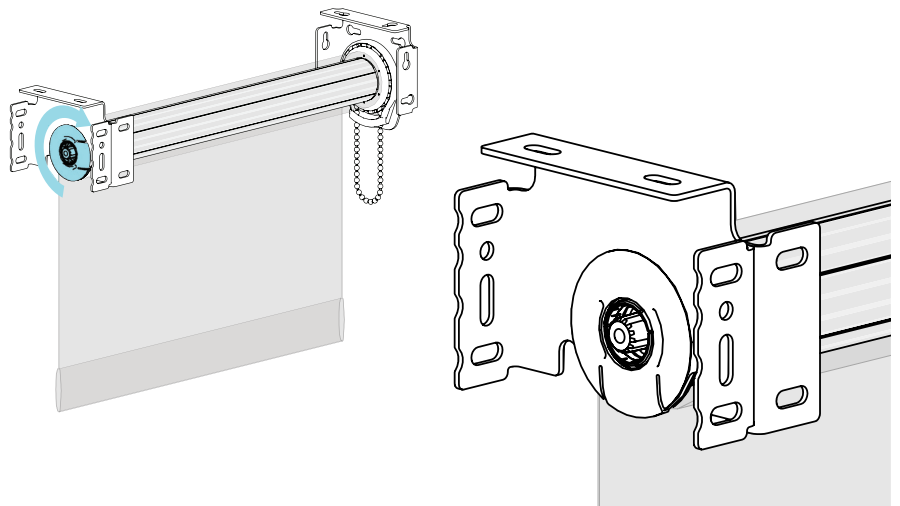
Ensure Clutch hooks engage with the bracket



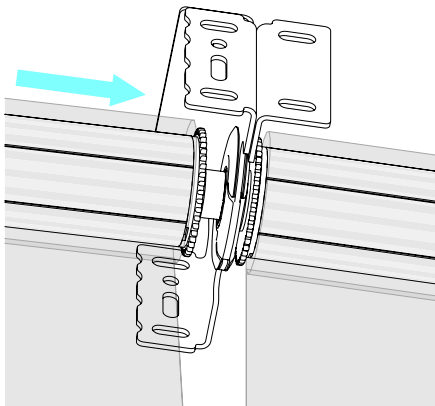
Swing in the Easy-Link End



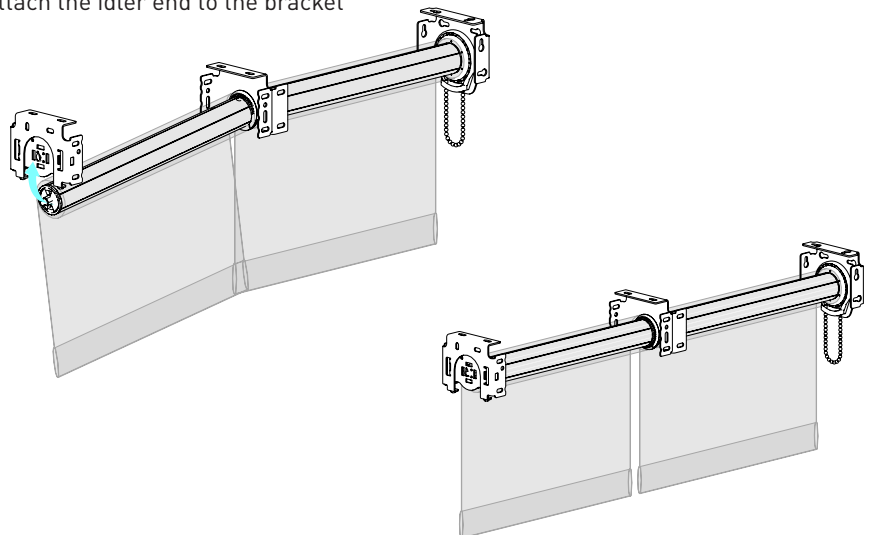
Rotate the Bracket Disk with the Skyline Bracket to lock the blind in place



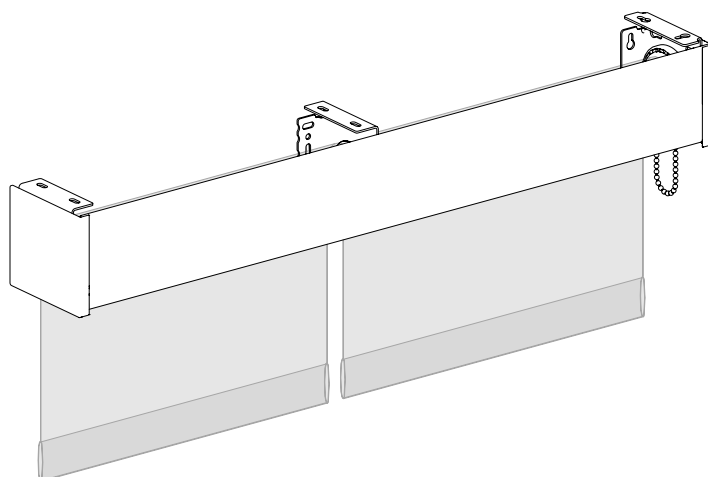
Ensure the Drive engages with the Bearing



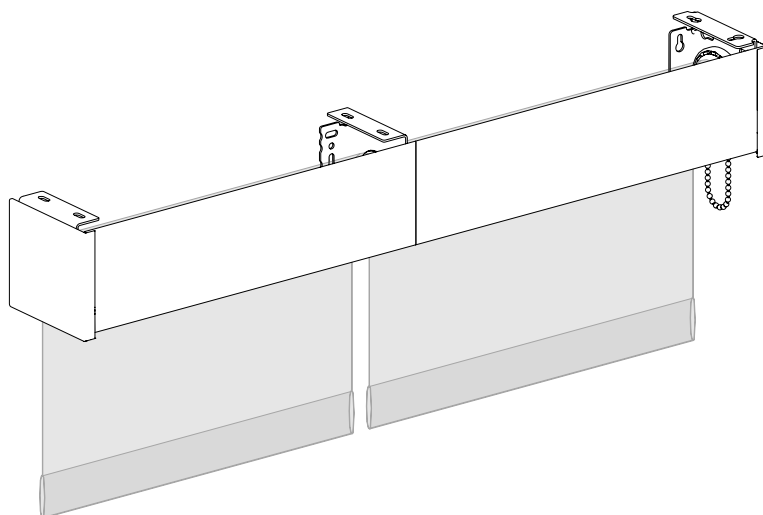
Attach the idler end to the bracket



TWO SHADES WITH ONE 4" FASCIA

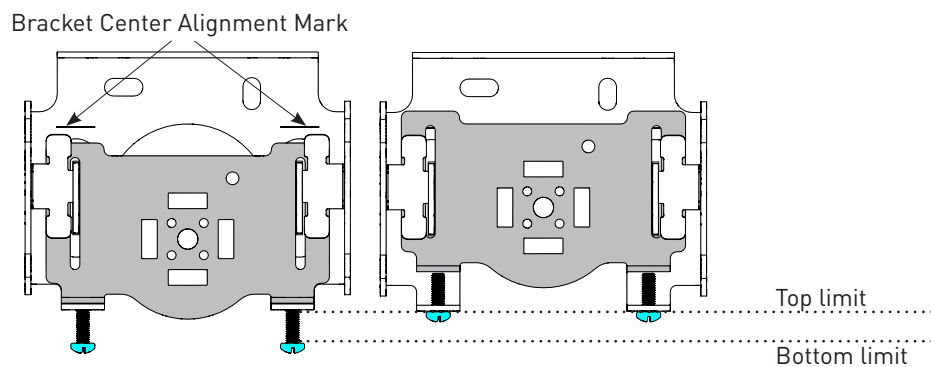


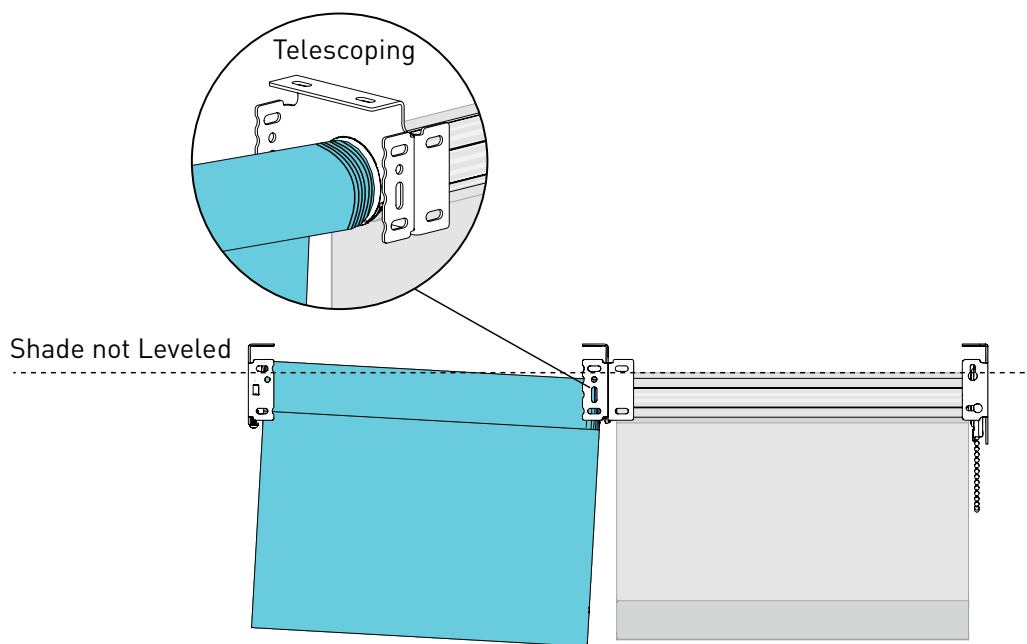
TWO SHADES WITH TWO 4" FASCIA



4" ADJUSTABLE BRACKETS - SHADE TELESCOPING PREVENTION

Telescoping is when the shade gathers to one side or the other as it is rolled up. This is typically a leveling problem, however; it can be solved by adjusting the shade level using the 4" Adjustable Brackets.





Adjustment of the bracket is needed when the window has not been framed correctly or the structure settles. This can lead to uneven light gaps on the side or telescoping.

Adjust the position of blind by rotating the screws of the 4" Adjustable bracket. Ensure the Shade is leveled properly.

