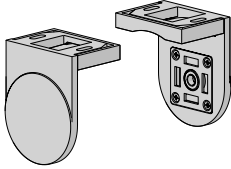
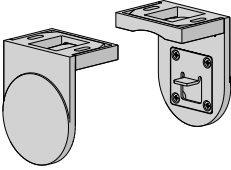
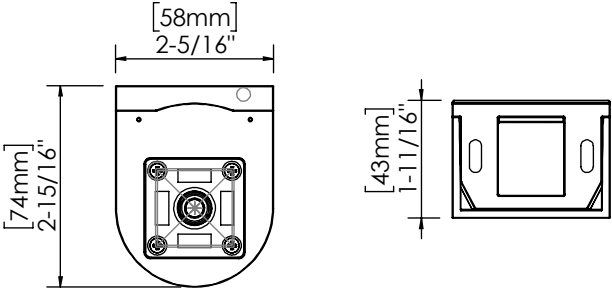
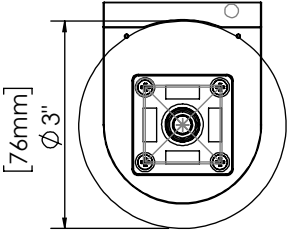
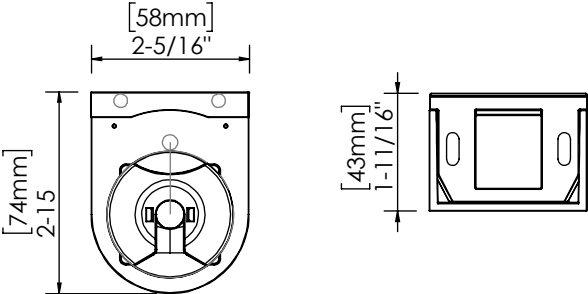
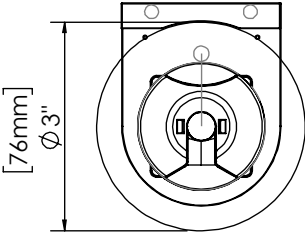


TOOLS REQUIRED

- Drill
- Hex bits
- Spirit Level
- Measuring Tape
- Pencil
- #8 Hex Screws

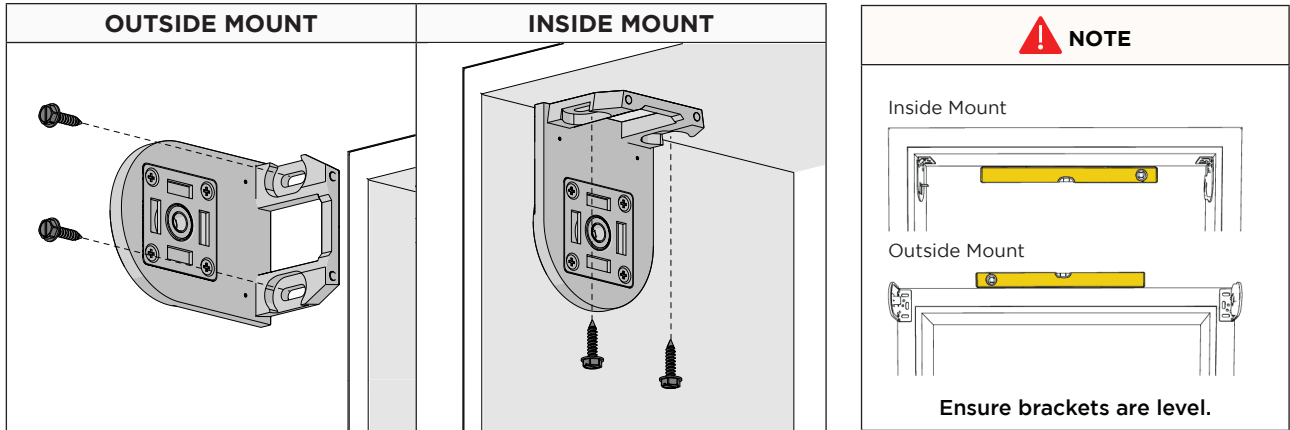
DEDUCTIONS

BRACKETS	DEDUCTION
<p style="text-align: center;">Skyline</p> 	<p>1/4" (6.15mm)</p>
<p style="text-align: center;">RB09</p> 	<p>1/4" (6.15mm)</p>

DIMENSIONS	MAX ROLL DIAMETER
<p style="text-align: center;">Skyline</p> 	
<p style="text-align: center;">RB09</p> 	

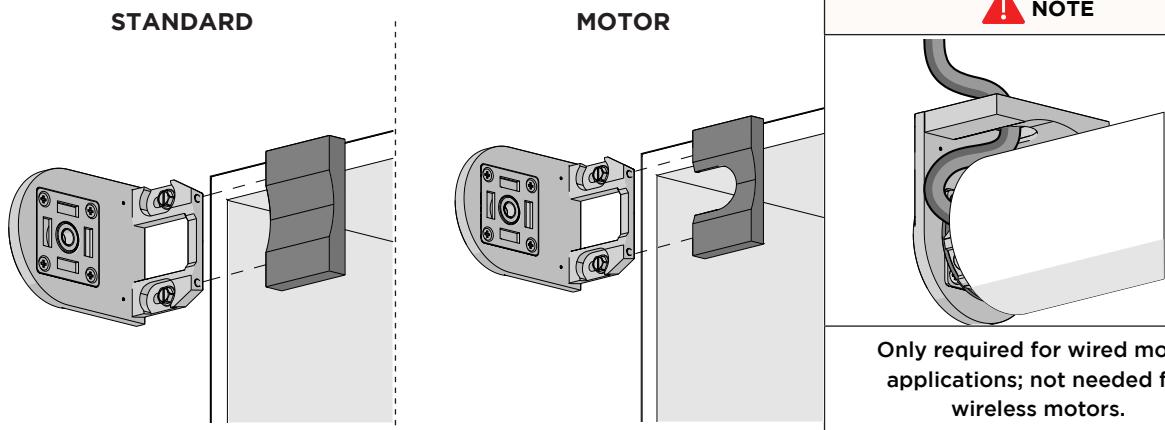
MOUNTING ORIENTATION

Use #8 Hex screws to install brackets. Screws below are indicative only.



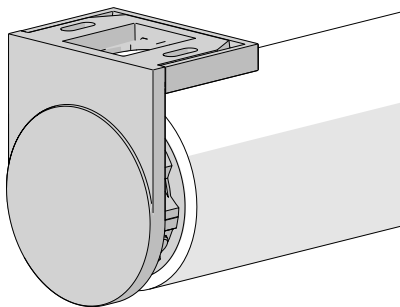
MOUNTING COVERS

Attach the covers to the brackets



SHADE INSTALLATION

- 1**
 - a. Skyline - Compress idler. Then, fasten hooks on control side.
 - b. RB09 - Slide control into the tab. Then, fasten the idler.



- 2** **Only for wired motor applications:** feed the cable through the bracket.

