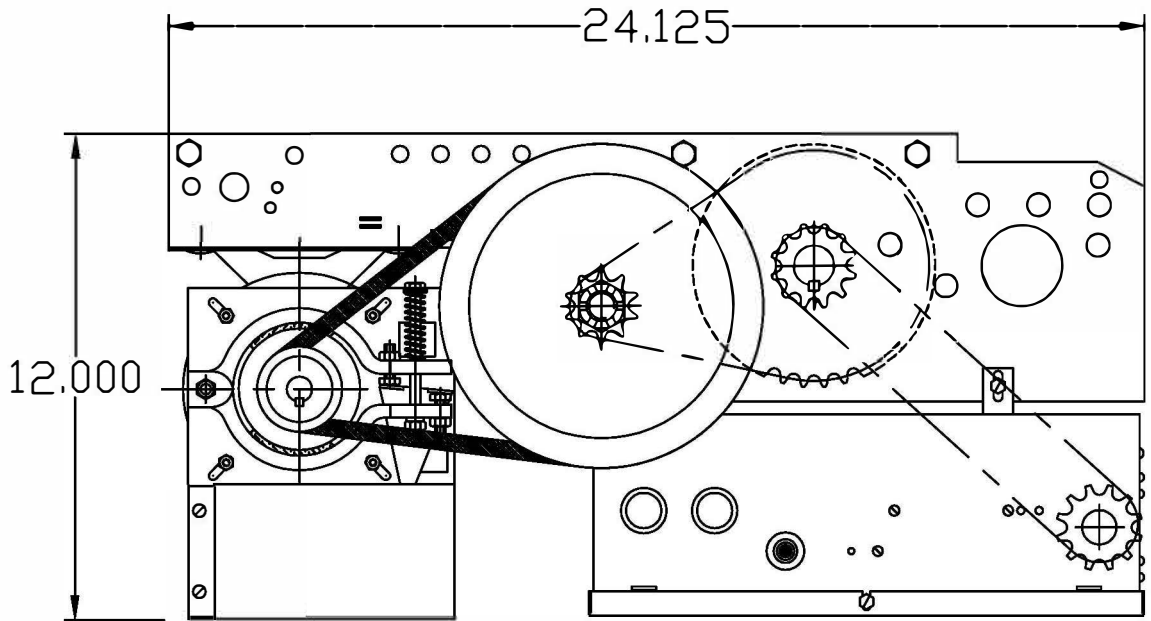
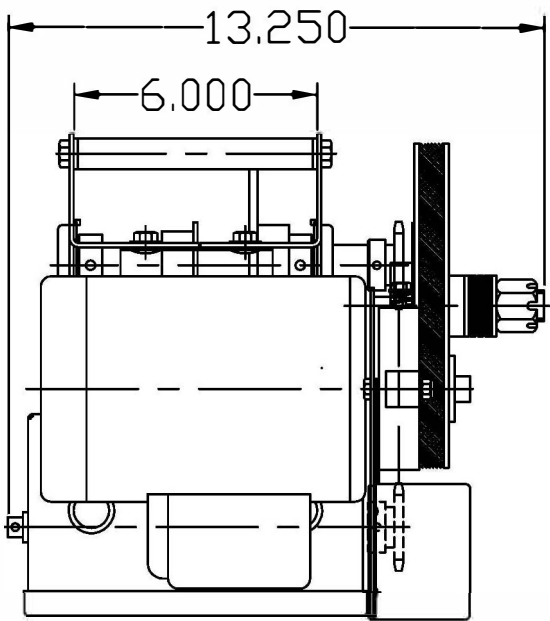
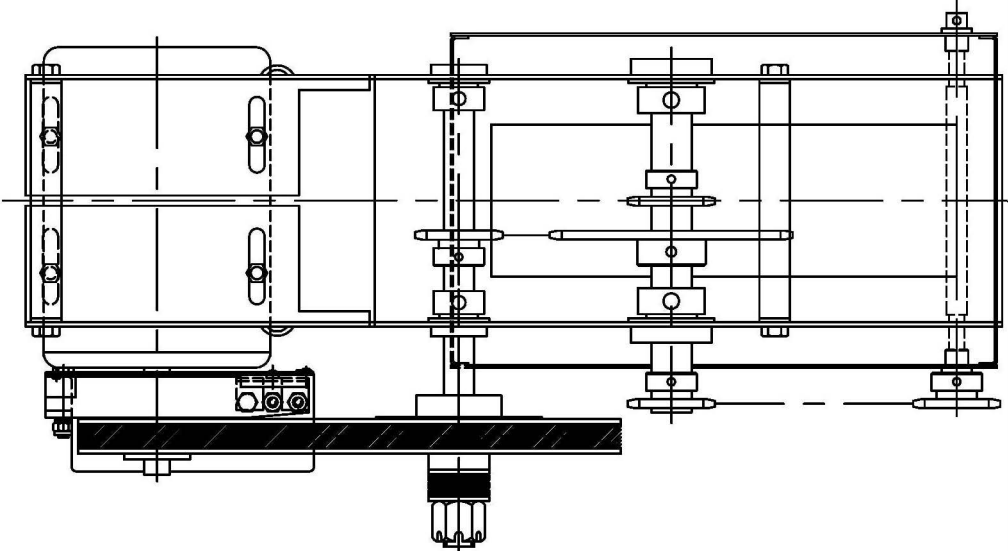
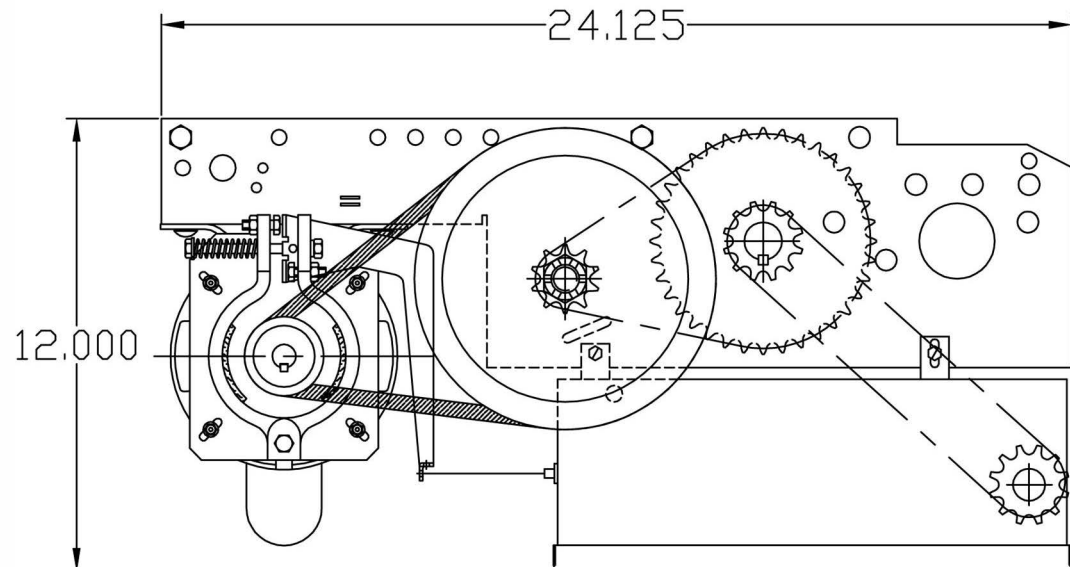
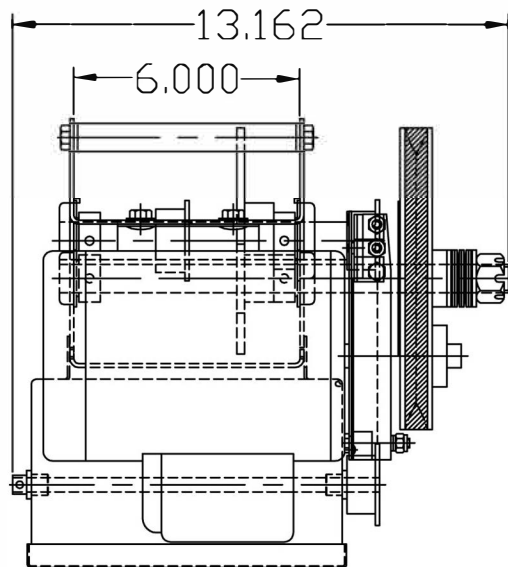
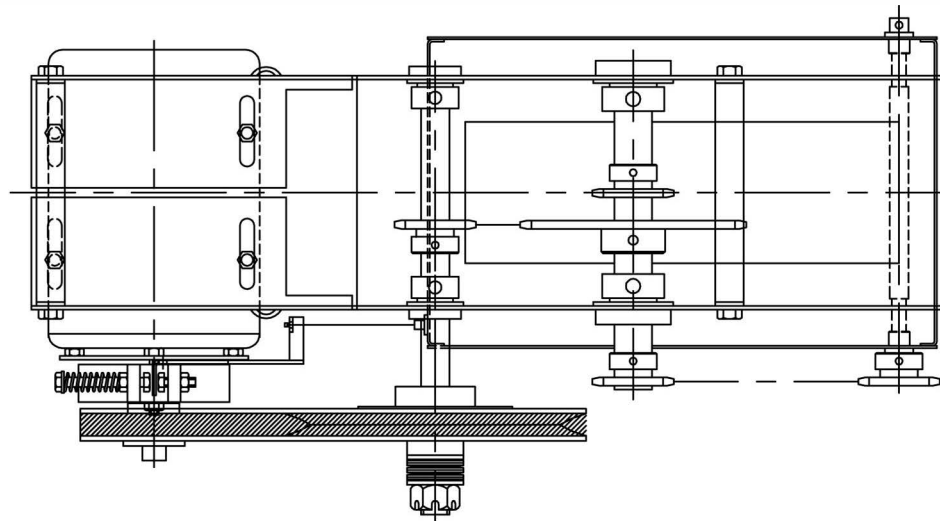


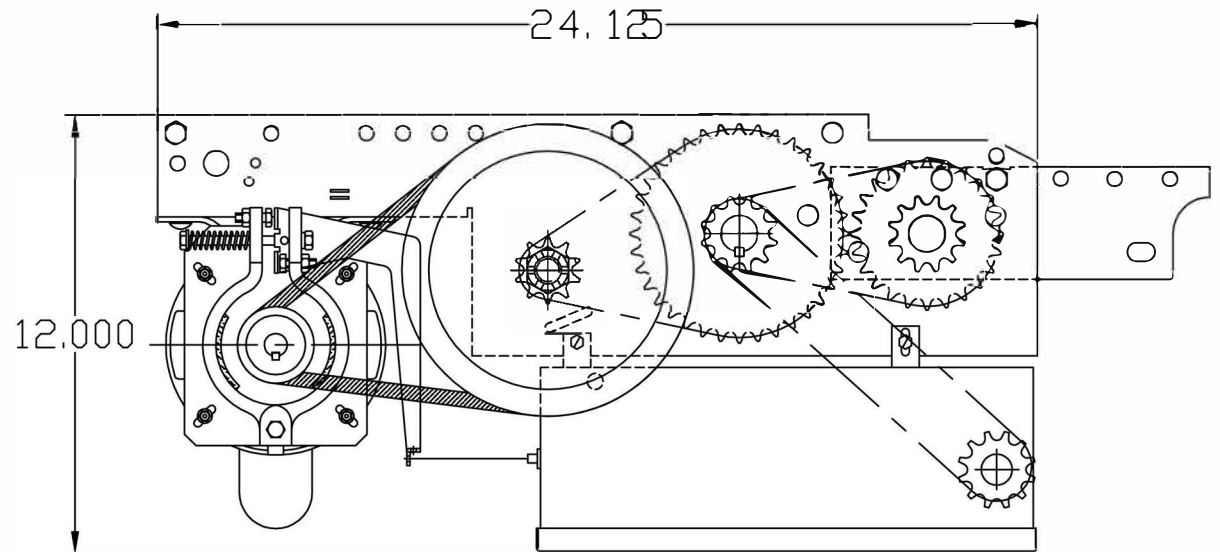
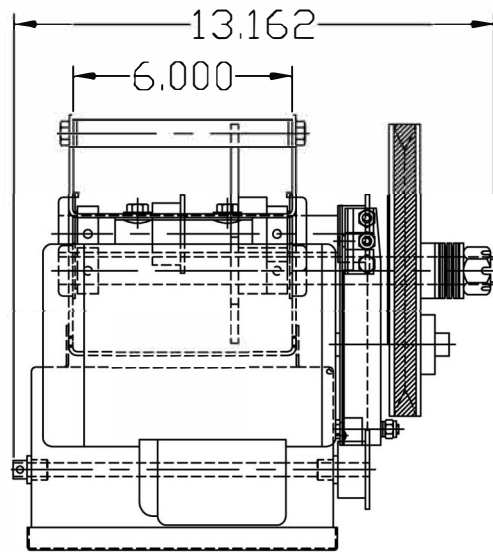
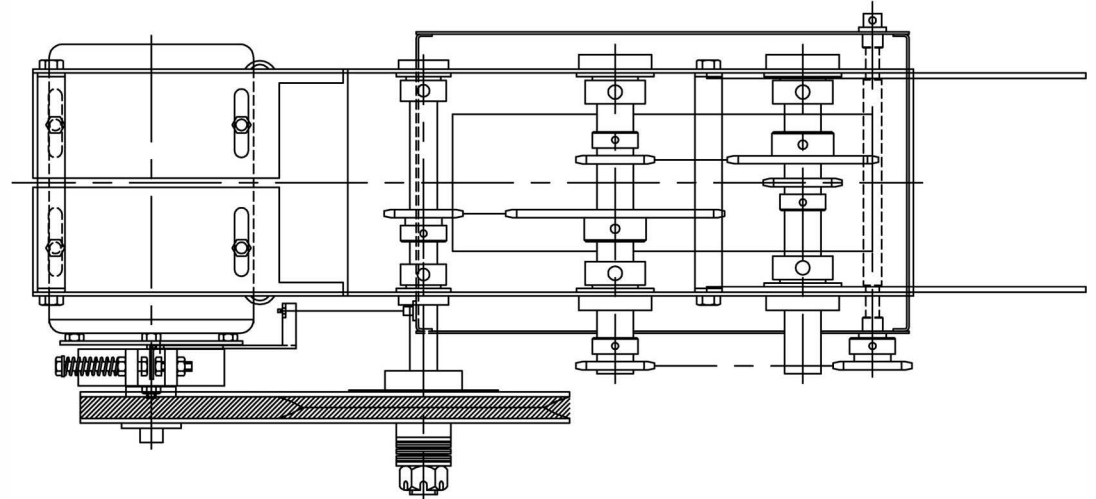
11.11.08	C.S.	D.J.	NICE GROUP CANADA INC.		
DATE:	APPROVED:	DRAWN BY:			
UNLESS OTHERWISE SPECIFIED DIMENSIONS ARE IN INCHES TOLERANCES .XX=±.01 ANGLES=±30'			TITLE: SLIDING DOOR PRO-SD BI PARTING		
REVISION:A			WEIGHT: 1b	SIZE: B	PAGE: 1/1
			CAD FILE: 2D-PROSD-BI PARTING-ME		SCALE: 1:4



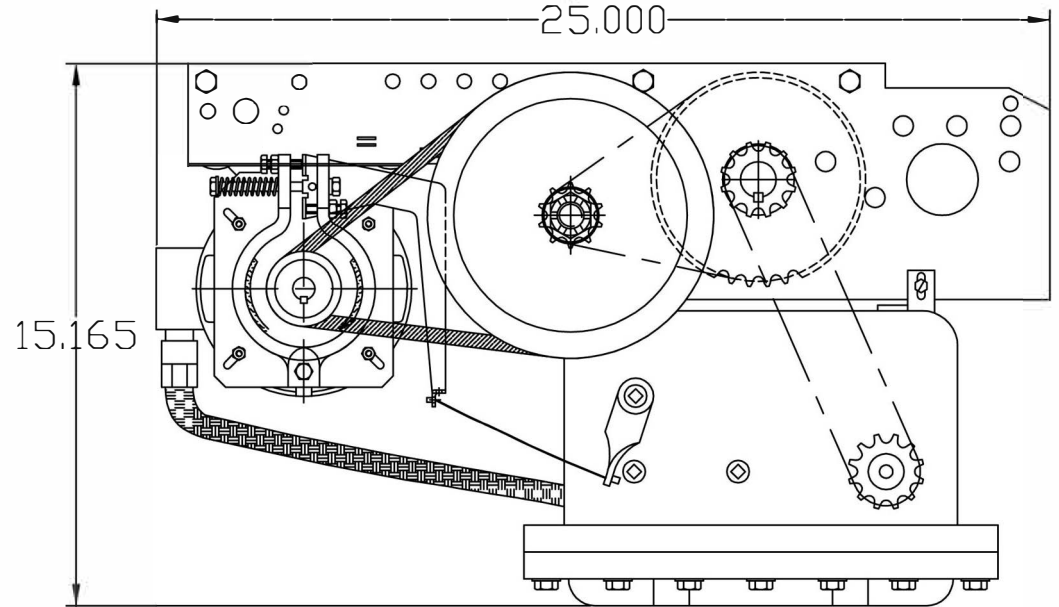
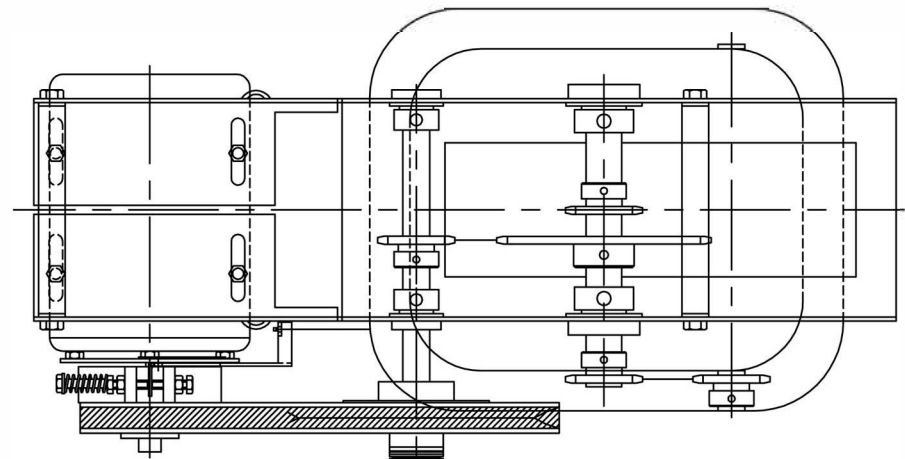
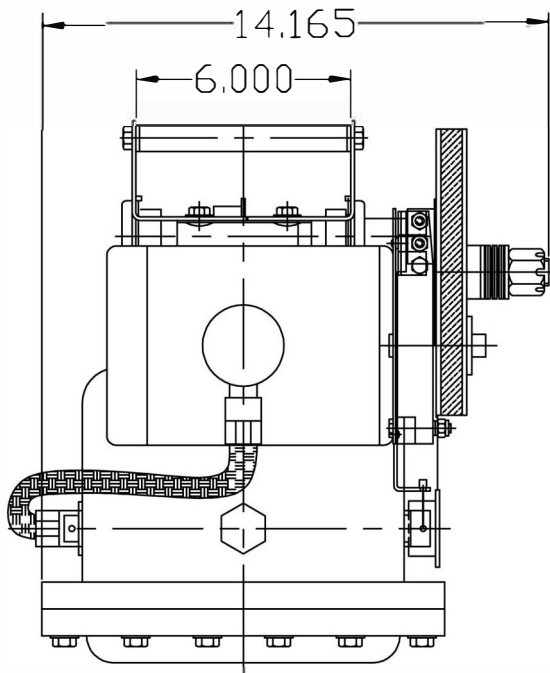
11.11.08	C.S.	D.J.	NICE GROUP CANADA INC.		
DATE:	APPROVED:	DRAWN BY:			
UNLESS OTHERWISE SPECIFIED DIMENSIONS ARE IN INCHES TOLERANCES .XX=±.01 ANGLES=±30'			TITLE: SLIDING DOOR PRO-SD SINGLE		
REVISION:A			WEIGHT: 1b	SIZE: B	PAGE: 1/1
			CAD FILE: 2D-PROSD SINGLE-ME		SCALE: 1:4



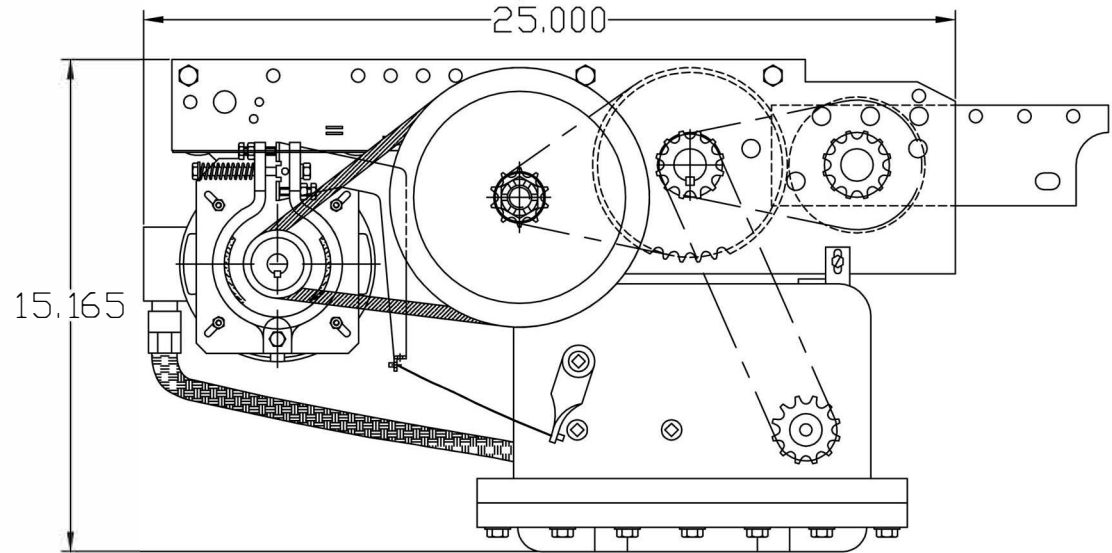
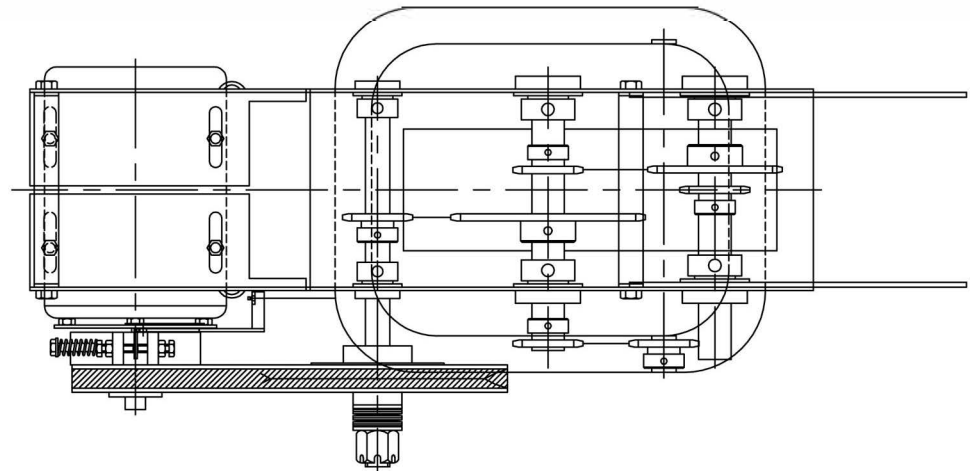
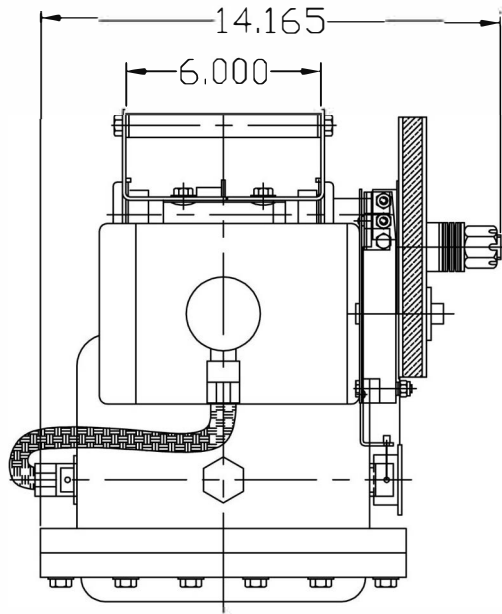
11.11.08	C.S.	D.J.	NICE GROUP CANADA INC.	
DATE:	APPROVED:	DRAWN BY:	TITLE:	
UNLESS OTHERWISE SPECIFIED DIMENSIONS ARE IN INCHES TOLERANCES .XX=±.01 ANGLES=±30'			SLIDING DOOR PRO-SDW (N-4) SINGLE	
REVISION:A		WEIGHT: 1b	SIZE: B	PAGE: 1/1
		CAD FILE: 2D-PROSDW-N4 SINGLE-ME		SCALE: 1:4



11.11.08	C.S.	D.J.	NICE GROUP CANADA INC.		
DATE:	APPROVED:	DRAWN BY:	TITLE:		
UNLESS OTHERWISE SPECIFIED DIMENSIONS ARE IN INCHES TOLERANCES .XX=±.01 ANGLES=±30'			SLIDING DOOR PRO-SDW (N-4) BI-PARTING		
REVISION:A			WEIGHT: 1b	SIZE: B	PAGE: 1/1
			CAD FILE: 2D-PROSDW-N4 BI-PARTING-ME		SCALE: 1:4



11.11.08	C.S.	D.J.	NICE GROUP CANADA INC.	
DATE:	APPROVED:	DRAWN BY:	TITLE:	
UNLESS OTHERWISE SPECIFIED DIMENSIONS ARE IN INCHES TOLERANCES .XX=±.01 ANGLES=±30'			SLIDING DOOR PRO-SDX (N-7/9) SINGLE	
REVISION:A		WEIGHT: 1b	SIZE: B	PAGE: 1/1
		CAD FILE: 2D-PROSDX-N7-9 SINGLE-ME		SCALE: 1:4



11.11.08	C.S.	D.J.	NICE GROUP CANADA INC.	
DATE:	APPROVED:	DRAWN BY:		
UNLESS OTHERWISE SPECIFIED DIMENSIONS ARE IN INCHES TOLERANCES .XX=±.01 ANGLES=±30'			SLIDING DOOR PRO-SDX (N-7/9) BI-PARTING	
REVISION:A			WEIGHT: 1b	SIZE: B
			CAD FILE: 2D-PROSDX-N7/9 BI-PARTING-ME	PAGE: 1/1 SCALE: 1:4