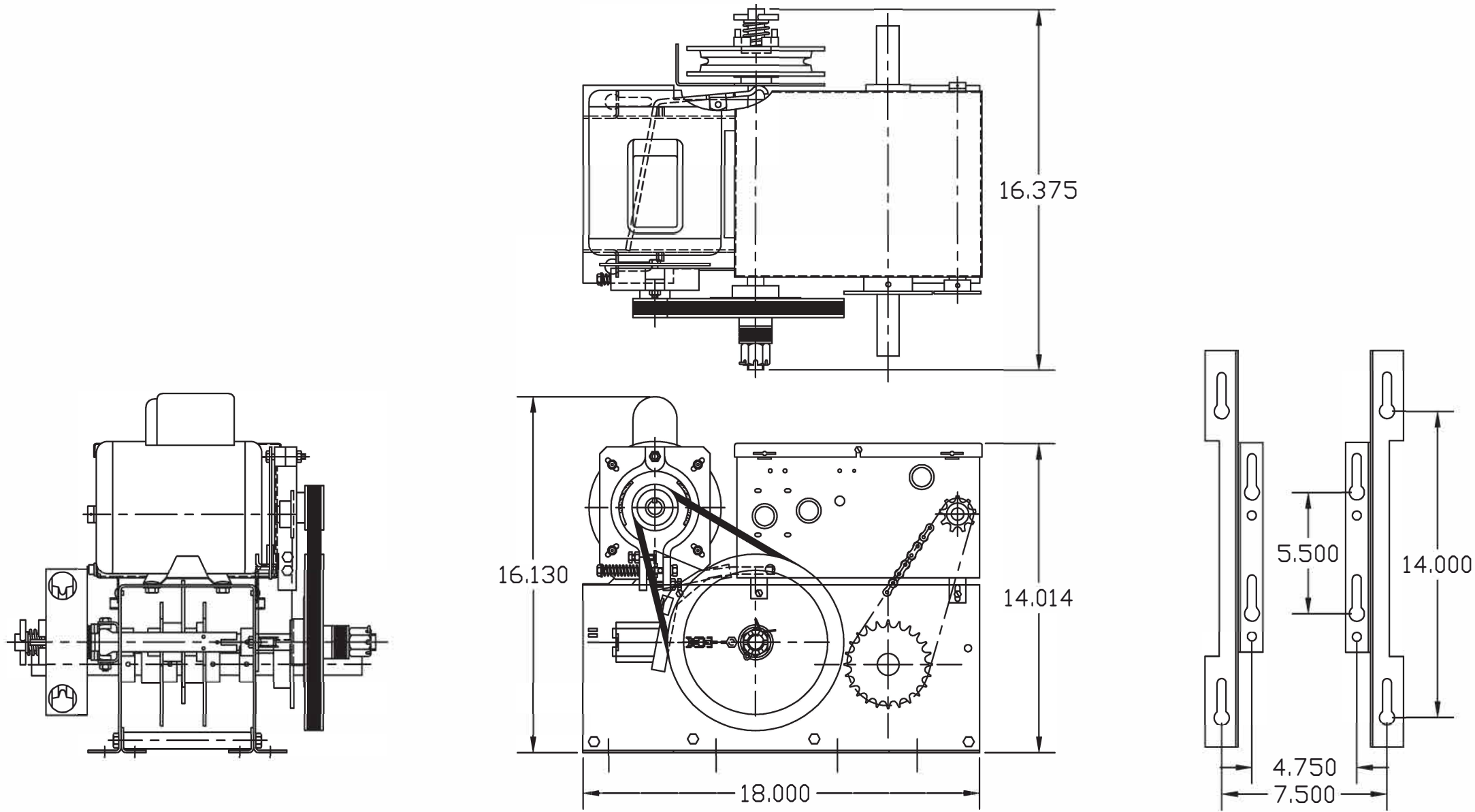


09.09.03	C.S.	D.J.	NICE GROUP CANADA INC.	
DATE:	APPROVED:	DRAWN BY:		
UNLESS OTHERWISE SPECIFIED DIMENSIONS ARE IN INCHES TOLERANCES .XX=±.01 ANGLES=±30'			BELT DRIVE OPERATOR PRO-H	
REVISION:A		WEIGHT: 1b	SIZE: B	PAGE: 1/1
		CAD FILE: 2D-PROH-ME		SCALE: 1:5



09.09.03	C.S.	D.J.	NICE GROUP CANADA INC.
DATE:	APPROVED:	DRAWN BY:	
UNLESS OTHERWISE SPECIFIED DIMENSIONS ARE IN INCHES TOLERANCES .XX=±.01 ANGLES=±30'			BELT DRIVE OPERATOR PRO-HB
REVISION:A		WEIGHT: 1b	SIZE: B
		CAD FILE: 2D-PROHB-CW-BRAKE-ME	PAGE: 1/1 SCALE: 1:5