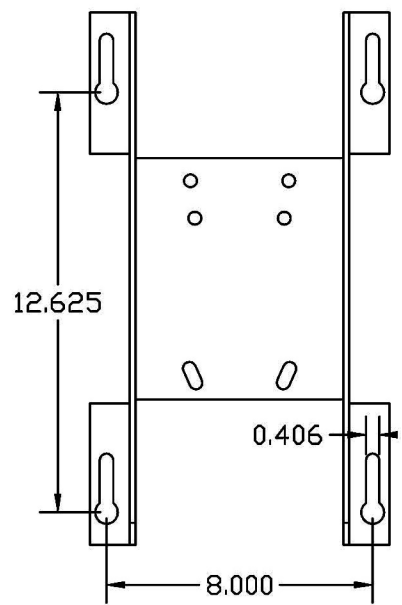
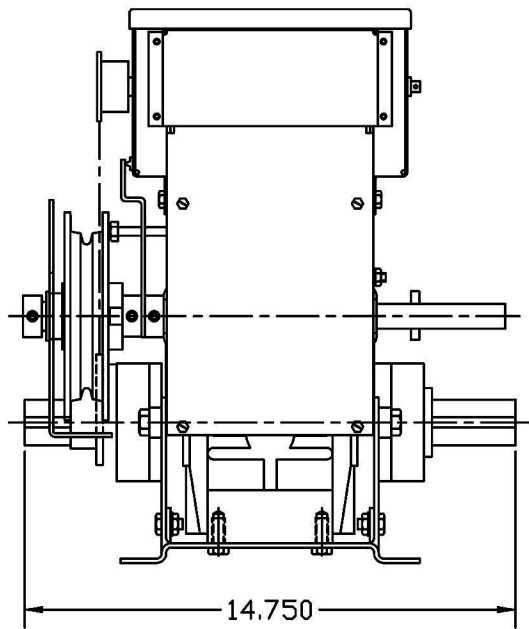
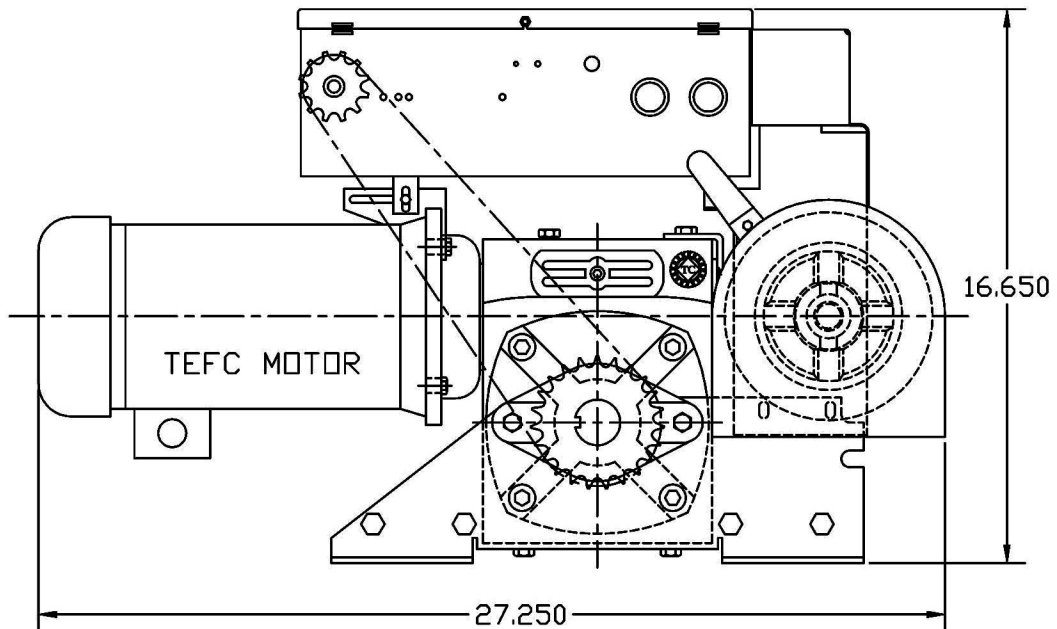
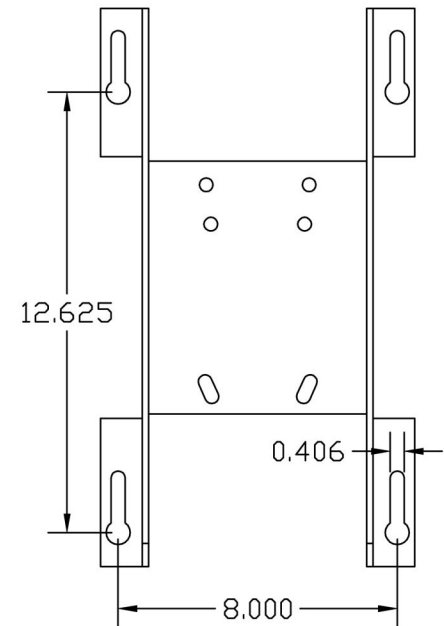
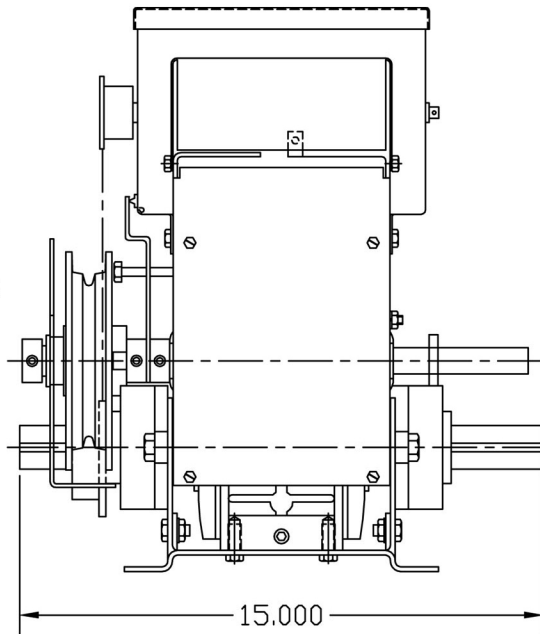
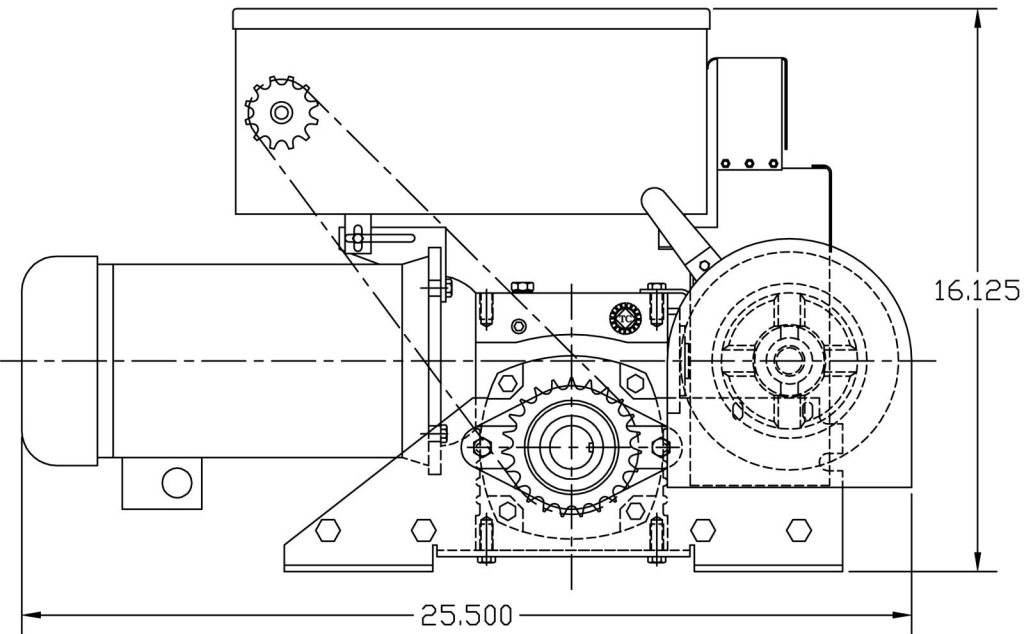


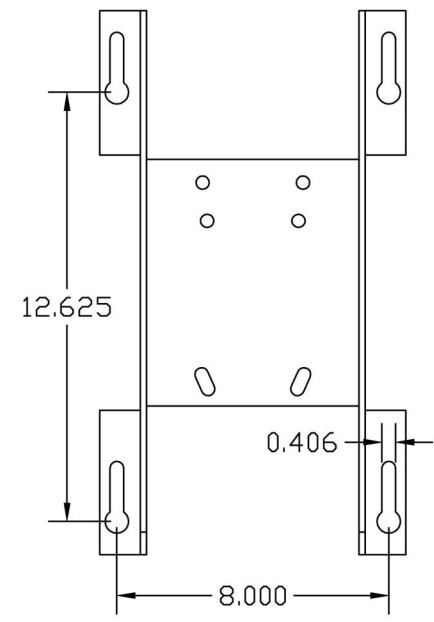
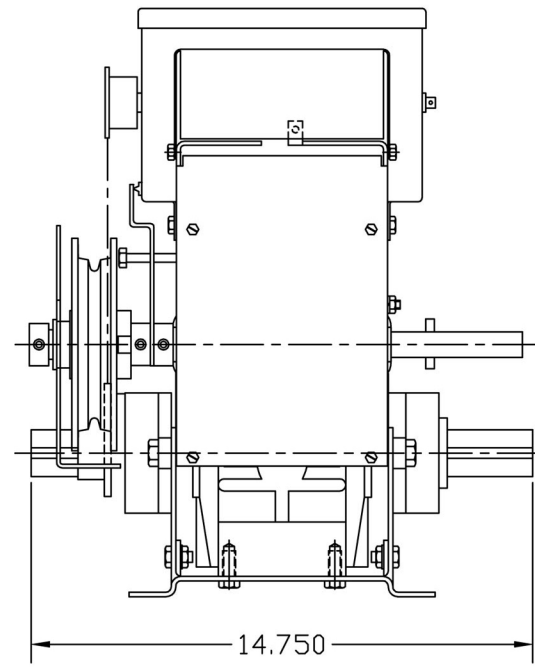
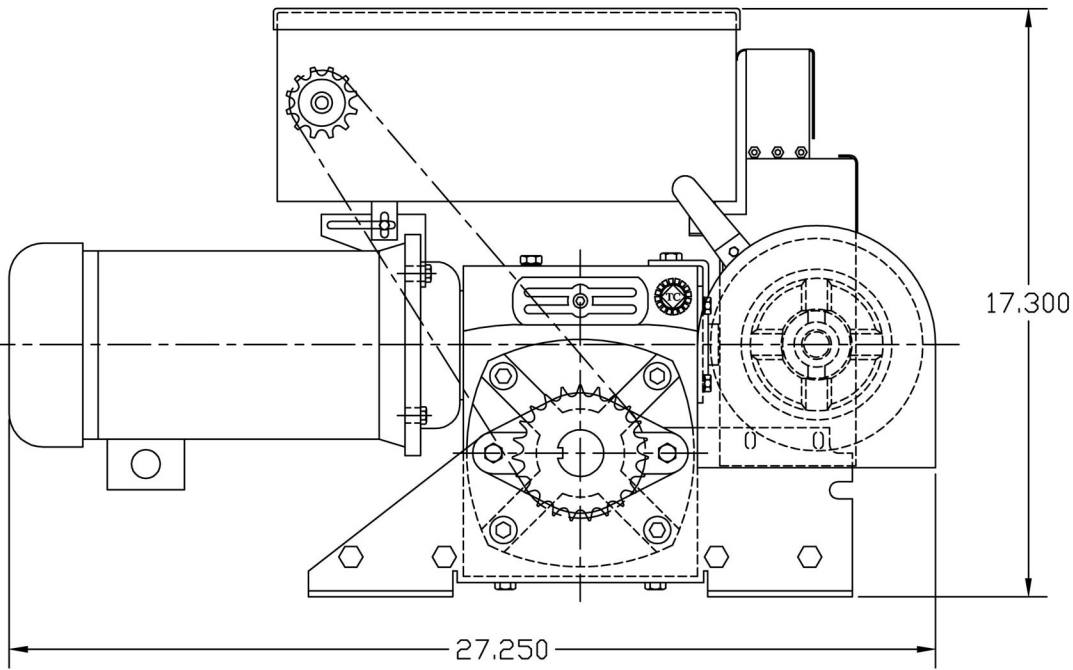
09.09.03	C.S.	D.J.	NICE GROUP CANADA INC.
DATE:	APPROVED:	DRAWN BY:	
UNLESS OTHERWISE SPECIFIED DIMENSIONS ARE IN INCHES TOLERANCES .XX=±.01 ANGLES=±30°			TITLE: GEARHEAD OPERATOR PRO-GHC R63
REVISION:A			WEIGHT: 1lb SIZE: B PAGE: 1/1 CAD FILE: 2D-PROGHC-R60-ME SCALE: 1:4



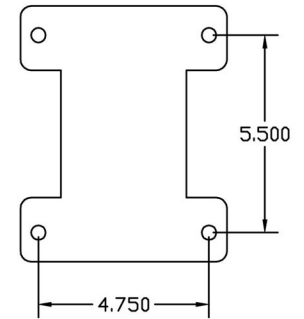
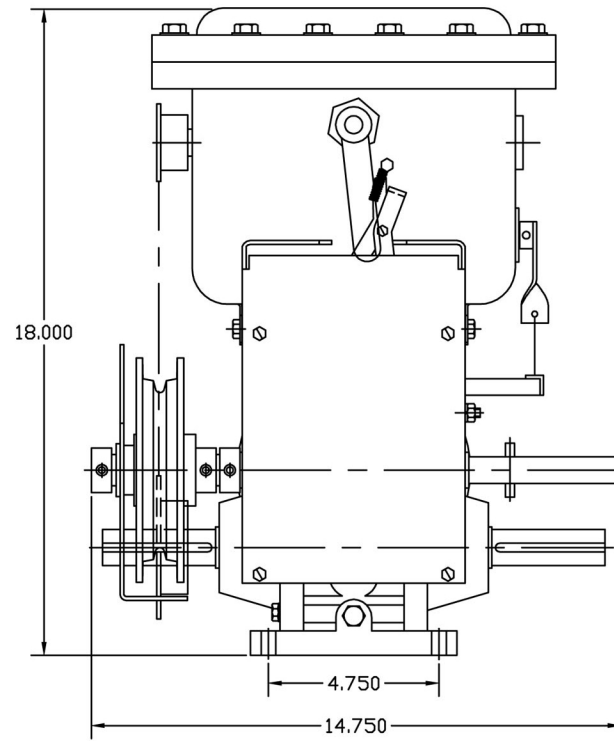
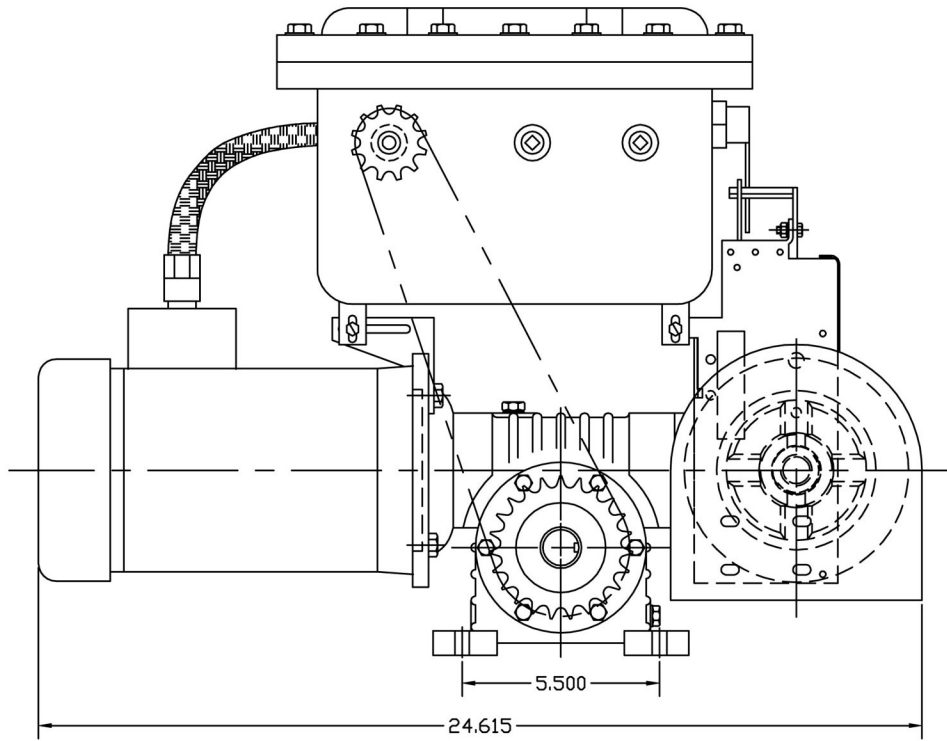
06.06.02	C.S.	D.J.	MICANAN SYSTEMS INC.	
DATE:	APPROVED:	DRAWN BY:		
UNLESS OTHERWISE SPECIFIED DIMENSIONS ARE IN INCHES TOLERANCES .XX=±.01 ANGLES=±30°			TITLE: GEARHEAD OPERATOR PRO-GHC R80	
REVISION:A			WEIGHT: 1lb	SIZE: B
			CAD FILE: 2D-PROGHC-R80-ME	PAGE: 1/1 SCALE: 1:4



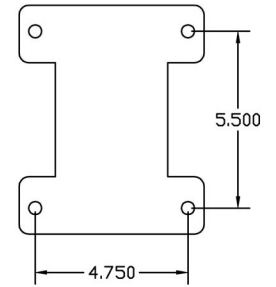
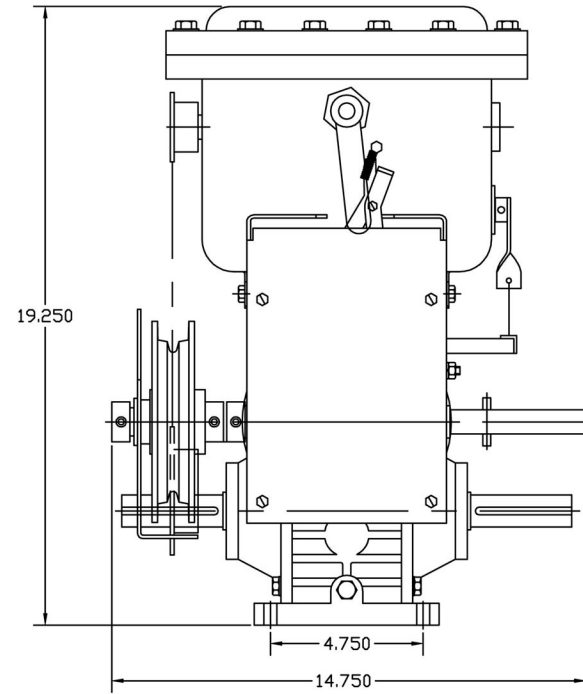
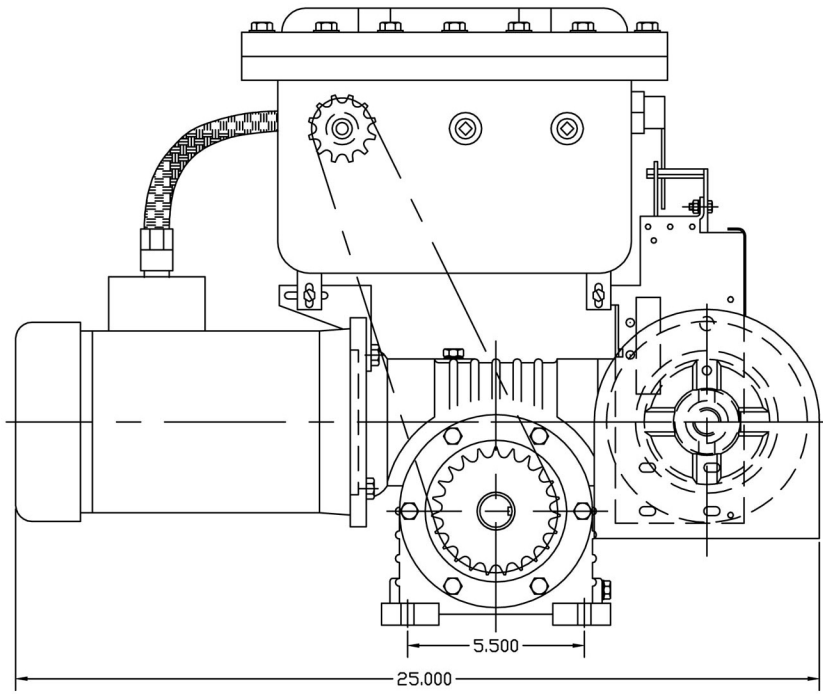
06.06.02	C.S.	D.J.	MICANAN SYSTEMS INC.	
DATE:	APPROVED:	DRAWN BY:		
UNLESS OTHERWISE SPECIFIED DIMENSIONS ARE IN INCHES TOLERANCES .XX=±.01 ANGLES=±30'			GEARHEAD OPERATOR PRO-GHCW R63 (N-4)	
REVISION:A			WEIGHT: 1b	SIZE: B
			CAD FILE: 2D-PROGHCW-R63-ME-N4	PAGE: 1/1 SCALE: 1:4



06.06.02	C.S.	D.J.	MICANAN SYSTEMS INC.		
DATE:	APPROVED:	DRAWN BY:			
UNLESS OTHERWISE SPECIFIED DIMENSIONS ARE IN INCHES TOLERANCES .XX=±.01 ANGLES=±30'			TITLE:		
REVISION:A			WEIGHT: 1b	SIZE: B	PAGE: 1/1
			CAD FILE: 2D-PROGHCW-R80-ME-N4		SCALE: 1:4
			GEARHEAD OPERATOR PRO-GHCW R80 (N-4)		



05.05.04	C.S.	D.J.	MICANAN SYSTEMS INC.	
DATE:	APPROVED:	DRAWN BY:		
UNLESS OTHERWISE SPECIFIED DIMENSIONS ARE IN INCHES TOLERANCES .XX=±.01 ANGLES=±30'			GEARHEAD OPERATOR PRO-GHX R55 (N-7/9)	
REVISION:A			WEIGHT: 1b	SIZE: B
			CAD FILE: 2D-PROGHX-R55-ME-N7/9	PAGE: 1/1 SCALE: 1:4



05.05.04	C.S.	D.J.	MICANAN SYSTEMS INC.	
DATE:	APPROVED:	DRAWN BY:		
UNLESS OTHERWISE SPECIFIED DIMENSIONS ARE IN INCHES TOLERANCES .XX=±.01 ANGLES=±30°			GEARHEAD OPERATOR PRO-GHX R70 (N-7/9)	
REVISION:A			WEIGHT: 1lb	SIZE: B
			CAD FILE: 2D-PROGHX-R70-ME-N7/9	PAGE: 1/1 SCALE: 1:4