

PRO-GH ARCHITECTURAL SHOP DRAWING

Date: _____

Page: _____ of _____

Drawing No.: _____

Architect/ Engineer: _____

Contractor: _____

Customer: _____

Number of Operators: _____

Horsepower: _____

Volts: _____

Phase: _____

Hertz: _____

Type of Door: _____

Door Width/ Height: _____ W x _____ H

Operator Nema Rating: _____

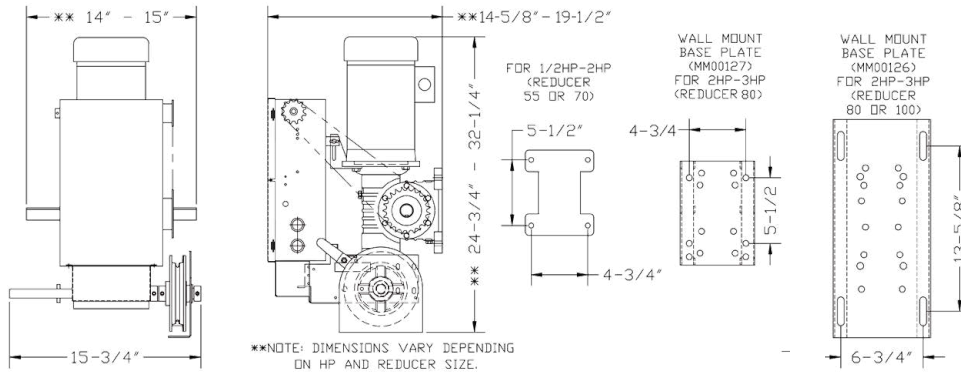
OPEN/ CLOSE/ STOP Control Stations: _____

FULL LOAD AMP RATING CHART (AMPS)

VOLTAGE	1/2 HP	3/4 HP	1HP	1.5HP	2HP	3HP	5HP
115V 1-Φ, 60 HZ	9.0	11.2	14.6	15.8			
230V 1-Φ, 60 HZ	4.3	5.6	6.9	7.8			
230V 1-Φ, 50 HZ	5.5	6.7	7.6	10.0			
208/230V 3-Φ, 60 HZ	1.9	2.8	3.6	5.0	6.2	8.2	13.2
380V 3-Φ, 50 HZ	1.2	1.7	2.2	2.7	3.2		
460V 3-Φ, 60 HZ	1.0	1.4	1.8	2.5	3.0	4.1	6.6
575V 3-Φ, 60 HZ	0.8	1.1	1.4	1.8	2.5	3.3	5.3

Control Wiring Option: _____

- A** Relay Logic w/ interface module (monitored reversing device supplied)
- B** Smart 10.0 logic board (monitored reversing devices supplied)
- C** Relay Logic (not available in US or other areas where UL325 is mandated)



ADDITIONAL EQUIPMENT OR OPTIONS

