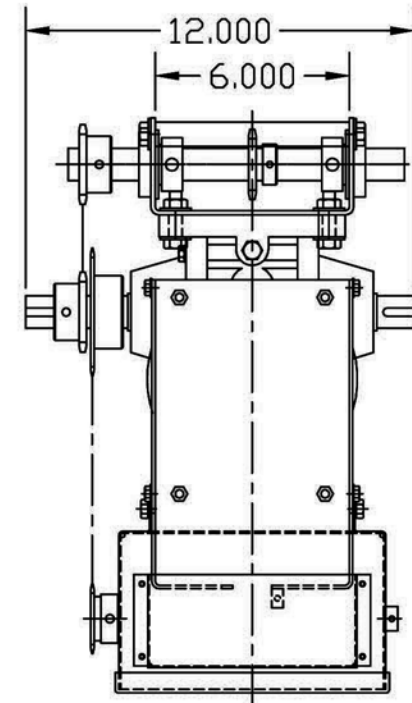
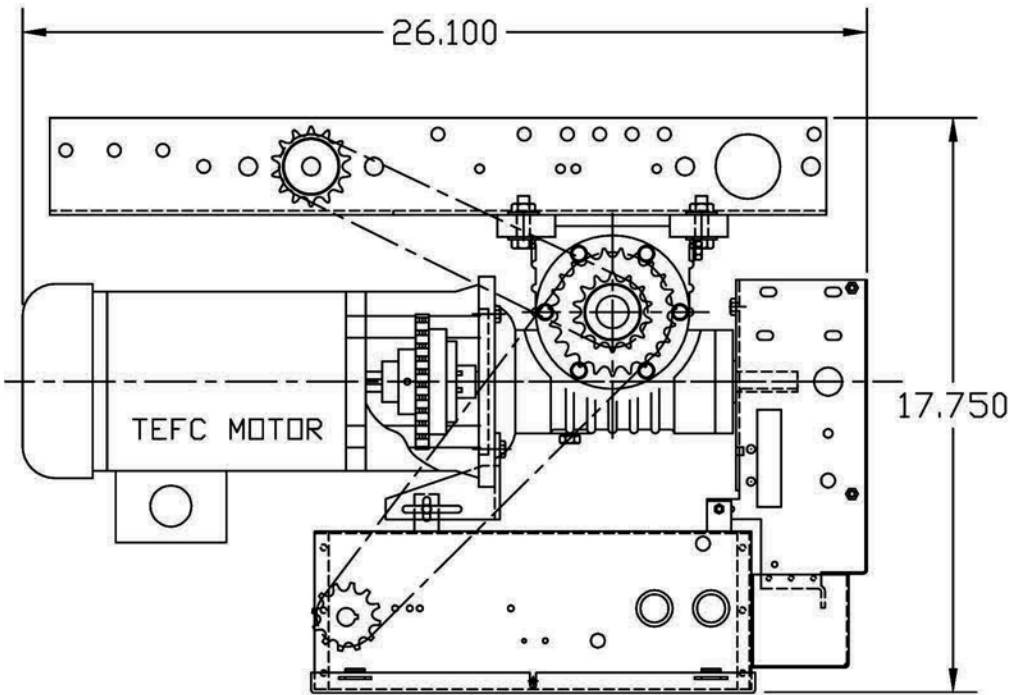
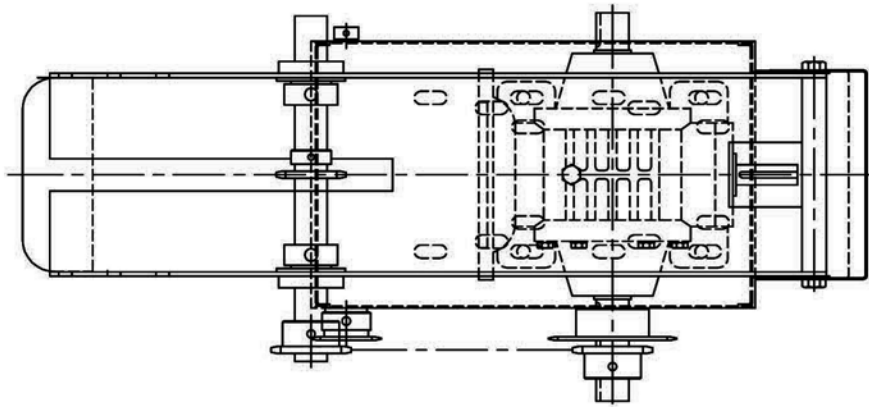
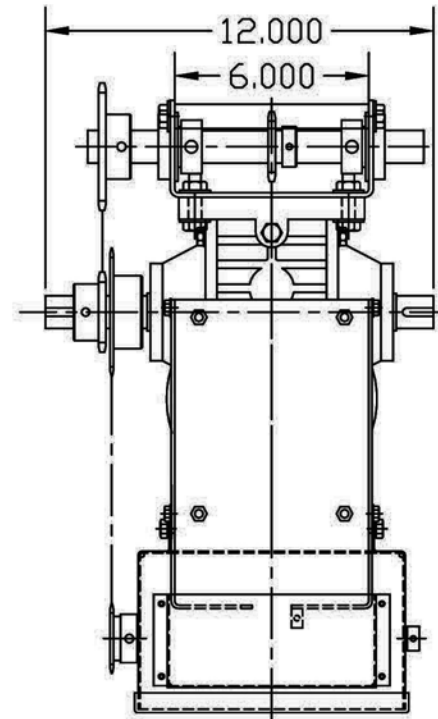
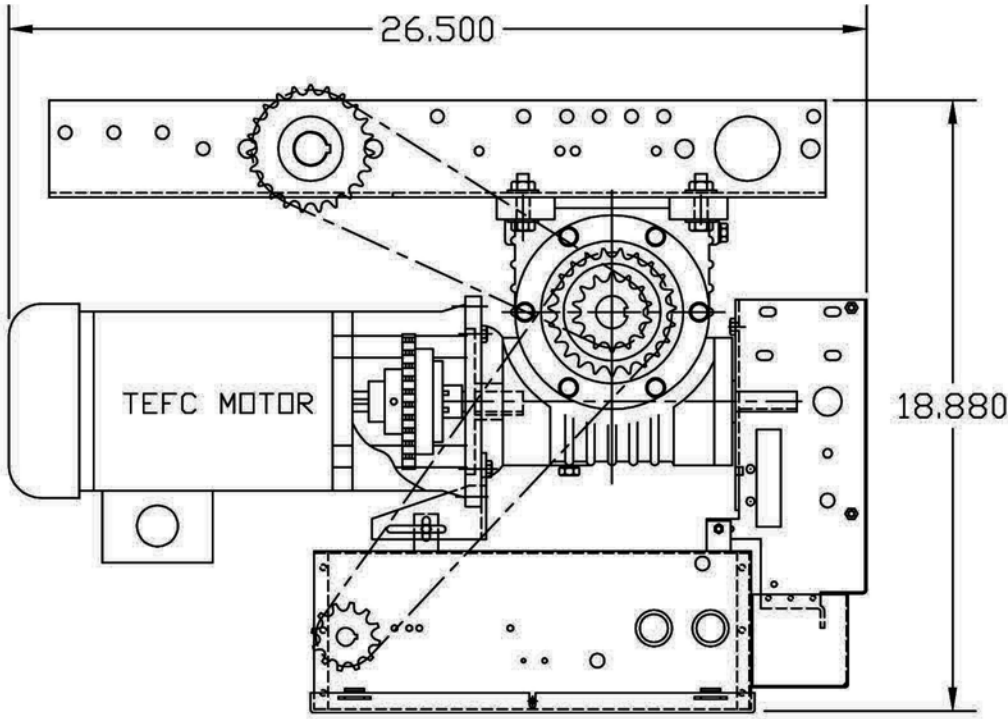
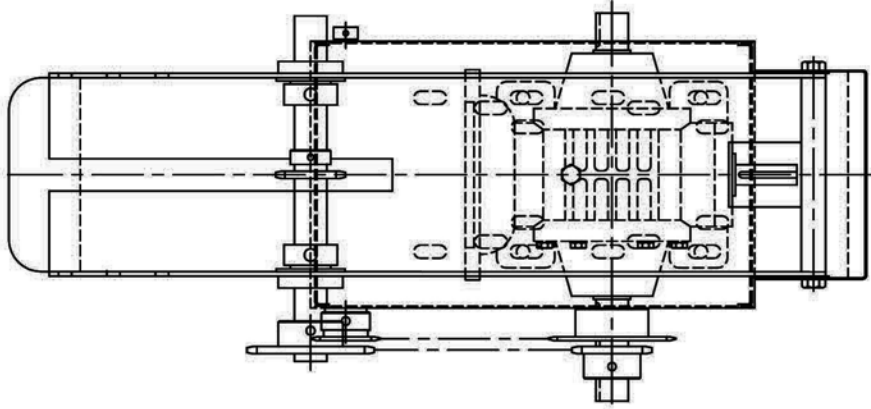


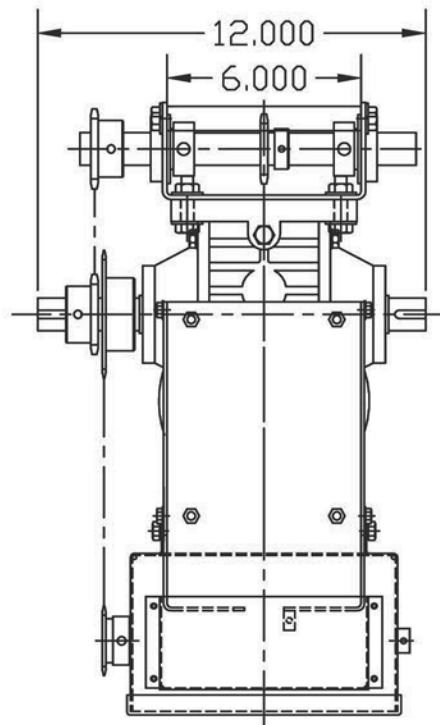
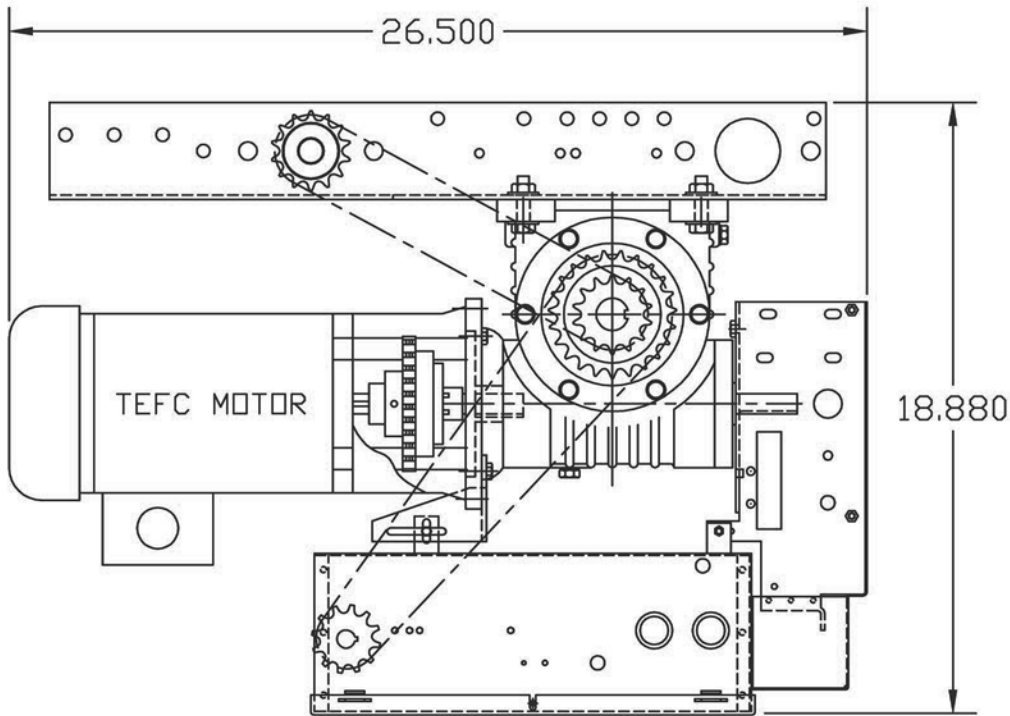
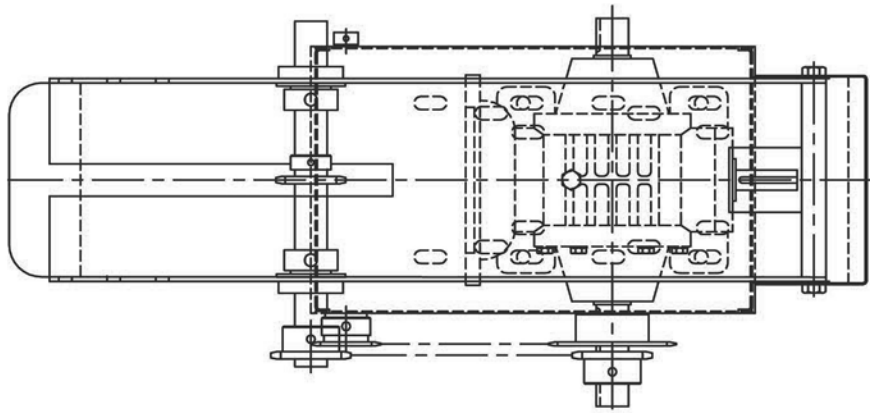
11.11.08	C.S.	D.J.	<b>NICE GROUP CANADA INC.</b>	
DATE:	APPROVED:	DRAWN BY:		
UNLESS OTHERWISE SPECIFIED DIMENSIONS ARE IN INCHES TOLERANCES .XX=±.01 ANGLES=±30'			<b>SLIDING DOOR PRO-GSD R55 BI-PARTING</b>	
<b>REVISION:A</b>				
			CAD FILE: 2D-PROGSD-R55-ME	PAGE: 1/1
				SCALE: 1:5



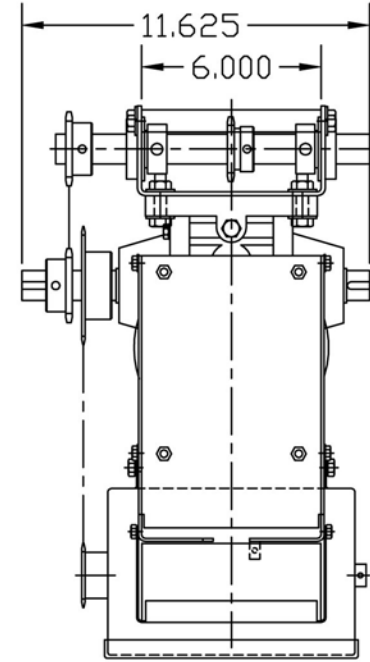
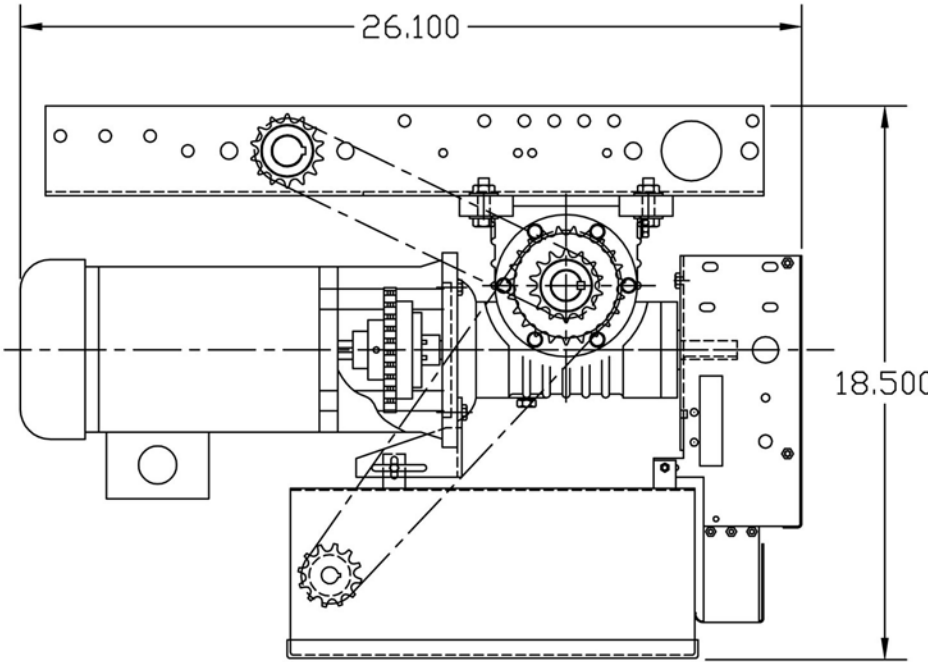
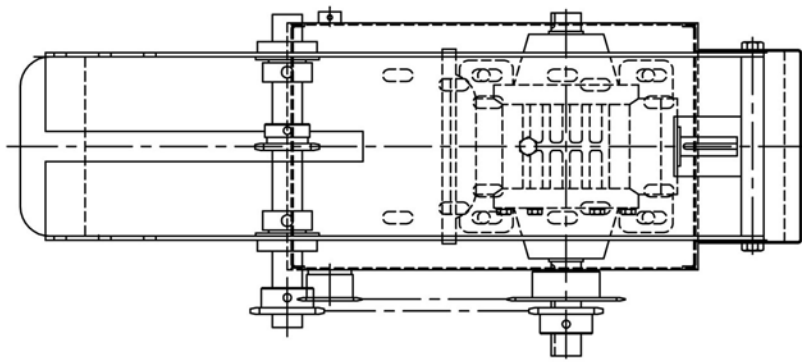
11.11.08	C.S.	D.J.	<b>MICANAN SYSTEMS INC.</b>	
DATE:	APPROVED:	DRAWN BY:		
UNLESS OTHERWISE SPECIFIED DIMENSIONS ARE IN INCHES TOLERANCES .XX=±.01 ANGLES=±30°			TITLE: <b>SLIDING DOOR PRO-GSD R55 SINGLE</b>	
<b>REVISION:A</b>			WEIGHT: 1b	SIZE: B
			CAD FILE: 2D-PROGSD-R55-ME	PAGE: 1/1 SCALE: 1:5



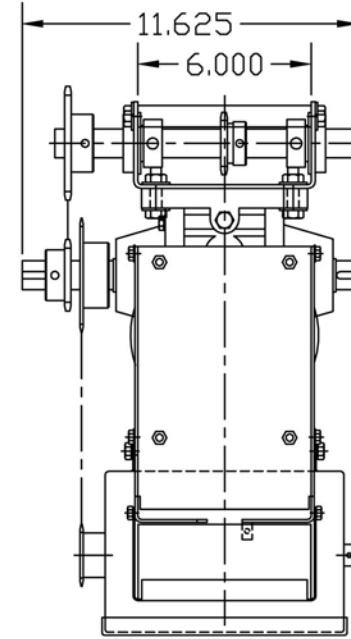
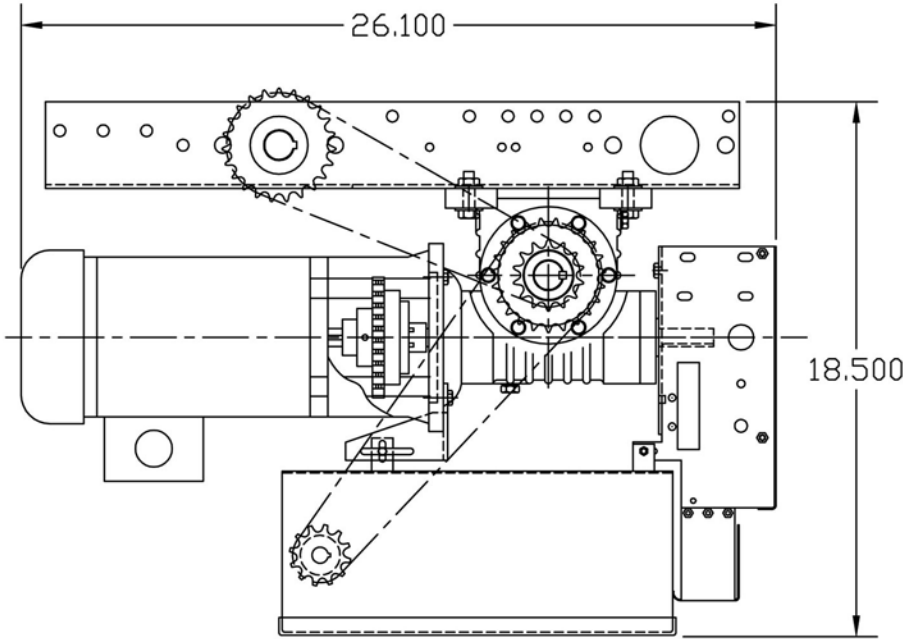
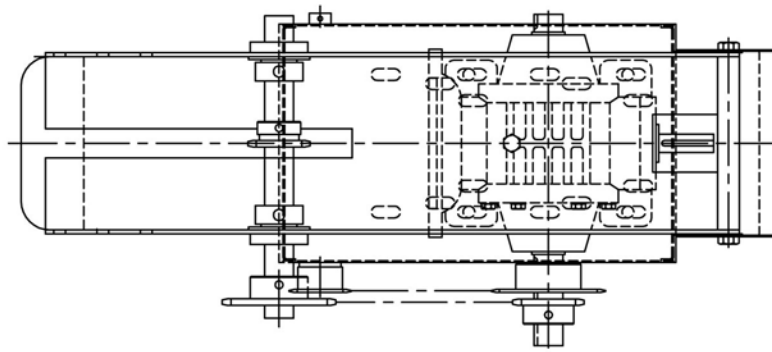
11.11.08	C.S.	D.J.	<b>MICANAN SYSTEMS INC.</b>	
DATE:	APPROVED:	DRAWN BY:		
UNLESS OTHERWISE SPECIFIED DIMENSIONS ARE IN INCHES TOLERANCES .XX=±.01 ANGLES=±30°			<b>SLIDING DOOR PRO-GSD R70 BI-PARTING</b>	
<b>REVISION:A</b>			WEIGHT: 1b	SIZE: B
			CAD FILE: 2D-PROGSD-R70-ME	PAGE: 1/1 SCALE: 1:5



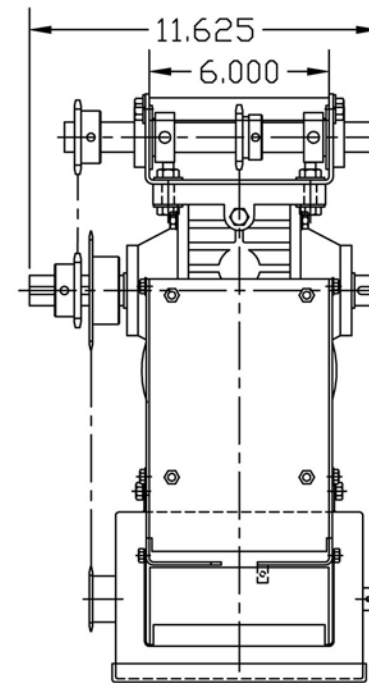
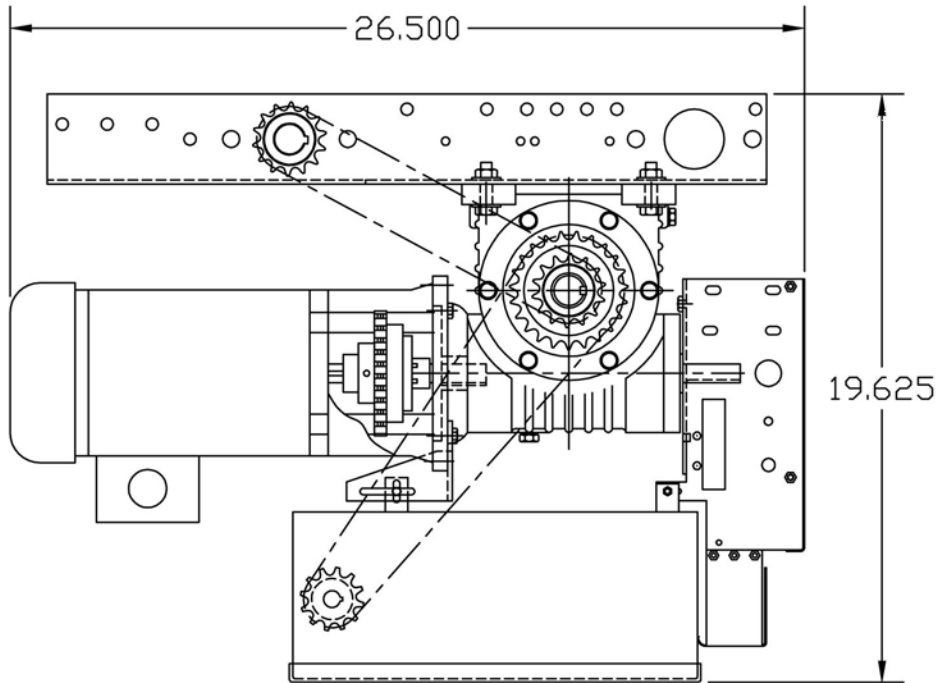
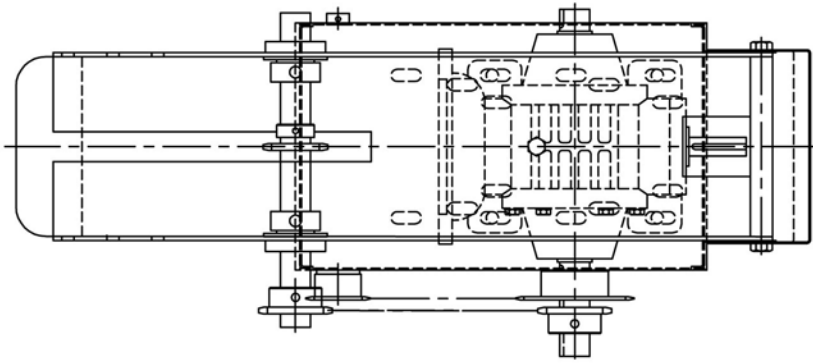
11.11.08	C.S.	D.J.	<b>MICANAN SYSTEMS INC.</b>	
DATE:	APPROVED:	DRAWN BY:		
UNLESS OTHERWISE SPECIFIED DIMENSIONS ARE IN INCHES TOLERANCES .XX=±.01 ANGLES=±30'			TITLE: <b>SLIDING DOOR PRO-GSD R70 SINGLE</b>	
<b>REVISION:A</b>			WEIGHT: 1b	SIZE: B
			PAGE: 1/1	
			CAD FILE: 2D-PROGSD-R70-ME	SCALE: 1:5



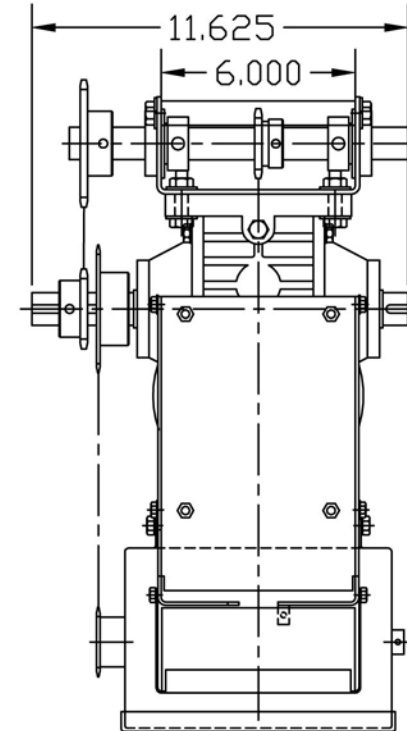
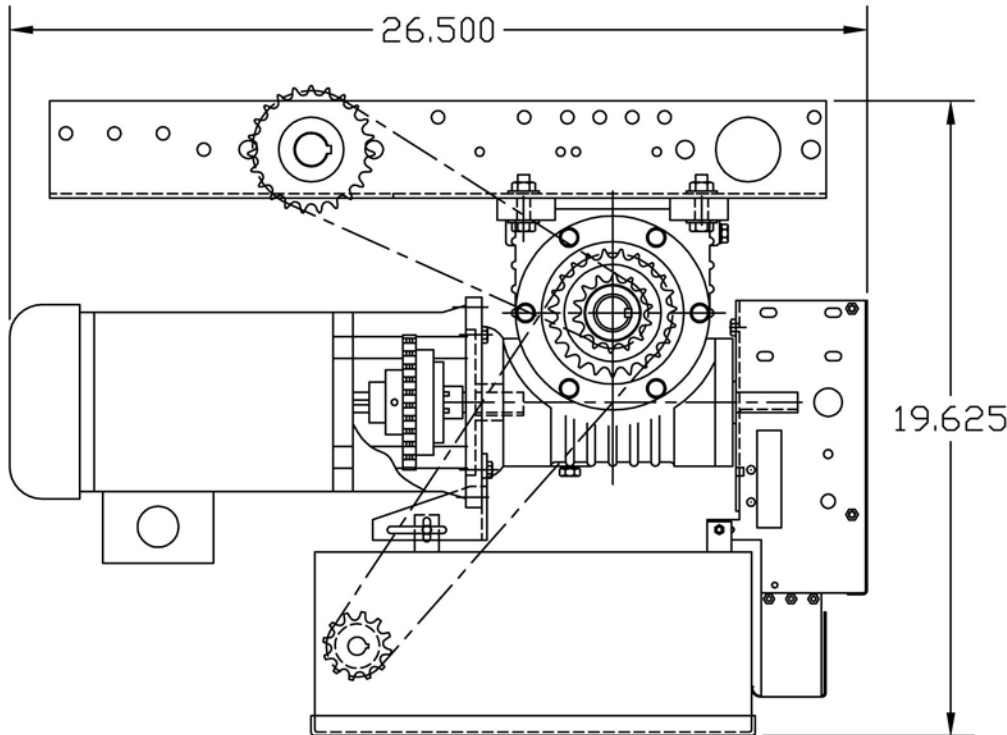
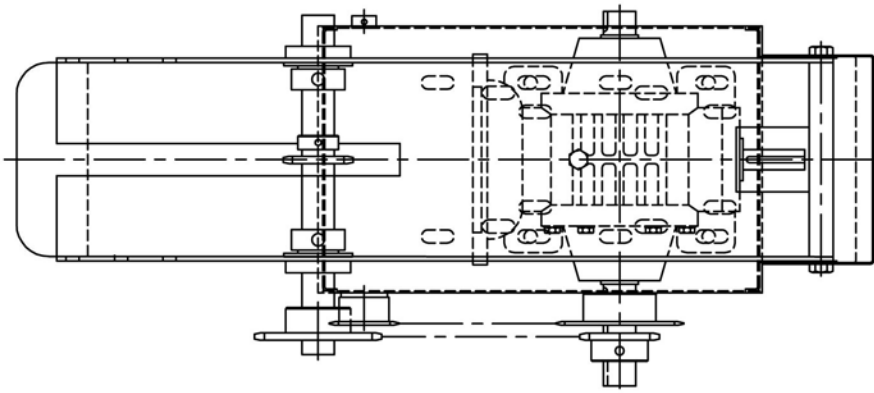
11.11.08	C.S.	D.J.	<b>MICANAN SYSTEMS INC.</b>	
DATE:	APPROVED:	DRAWN BY:		
UNLESS OTHERWISE SPECIFIED DIMENSIONS ARE IN INCHES TOLERANCES .XX=±.01 ANGLES=±30'			<b>SLIDING DOOR PRO-GSDW R55 (N-4) SINGLE</b>	
<b>REVISION:A</b>			WEIGHT: 1lb	PAGE: 1/1
			SIZE: B	SCALE: 1:5
			CAD FILE: 2D-PROGSDW-R55-ME-N4-SINGLE	



11.11.08	C.S.	D.J.	<b>MICANAN SYSTEMS INC.</b>		
DATE:	APPROVED:	DRAWN BY:			
UNLESS OTHERWISE SPECIFIED DIMENSIONS ARE IN INCHES TOLERANCES .XX=±.01 ANGLES=±30°			TITLE: <b>SLIDING DOOR PRO-GSD R55 (N-4) BI-PARTING</b>		
<b>REVISION:A</b>			WEIGHT: 1b	SIZE: B	PAGE: 1/1
			CAD FILE: 2D-PROGSDV-R55-ME-N4-BI-PARTING		SCALE: 1:5

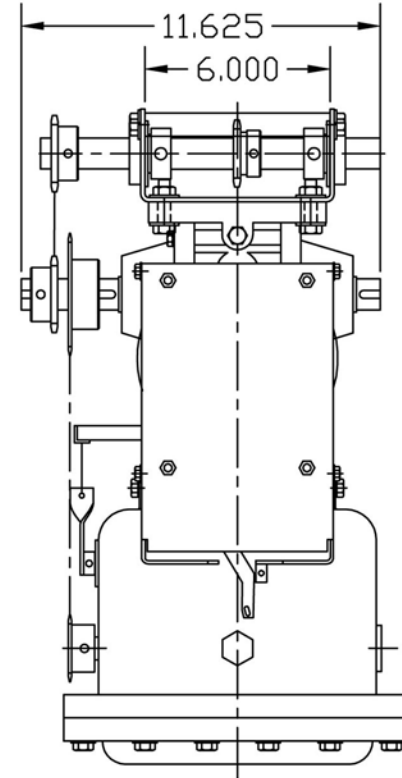
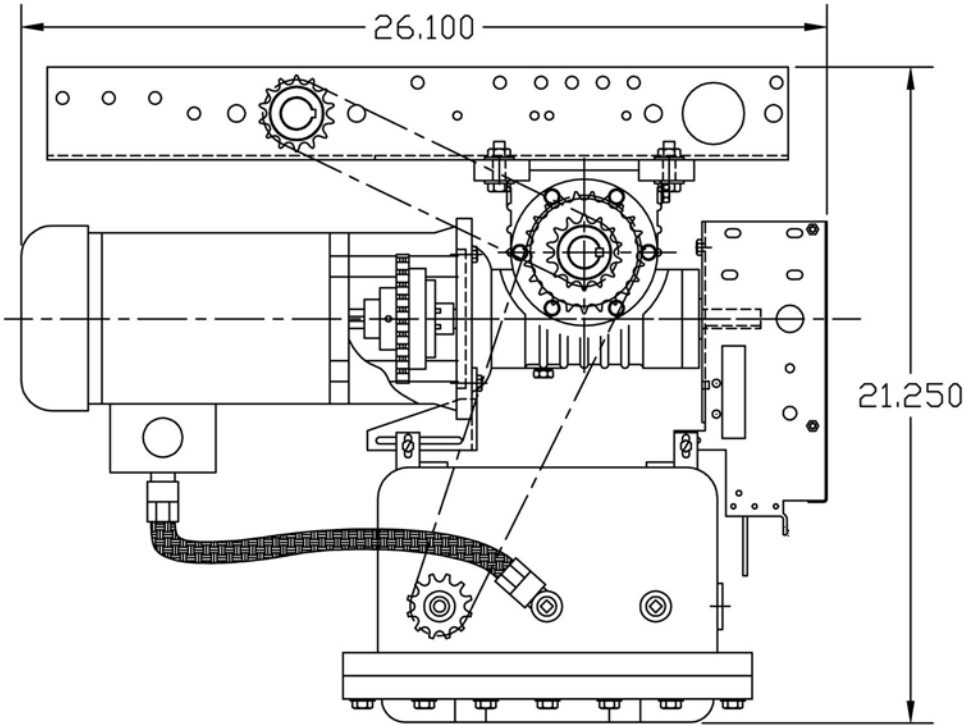
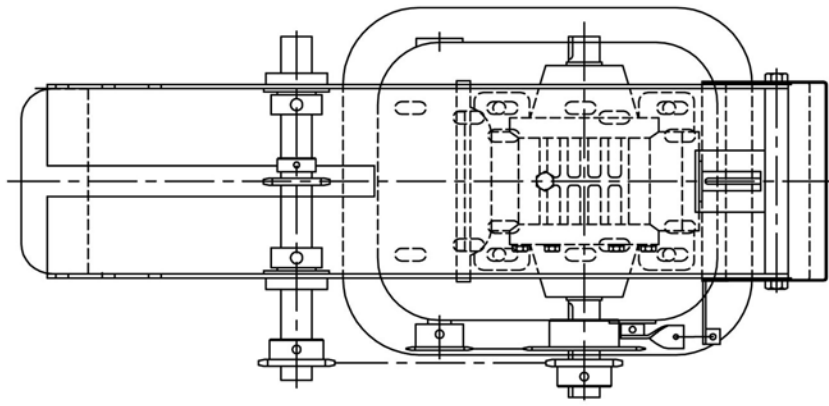


11.11.08	C.S.	D.J.	<b>MICANAN SYSTEMS INC.</b>		
DATE:	APPROVED:	DRAWN BY:			
UNLESS OTHERWISE SPECIFIED DIMENSIONS ARE IN INCHES TOLERANCES .XX=±.01 ANGLES=±30'			TITLE: <b>SLIDING DOOR PRO-GSDW R70 (N-4) SINGLE</b>		
<b>REVISION:A</b>			WEIGHT: 1b	SIZE: B	PAGE: 1/1
			CAD FILE: 2D-PROGSDW-R70-ME-N4 SINGLE		SCALE: 1:5

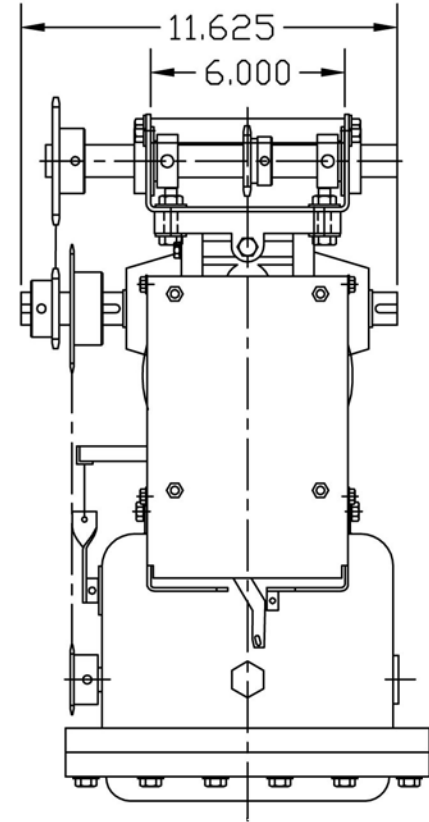
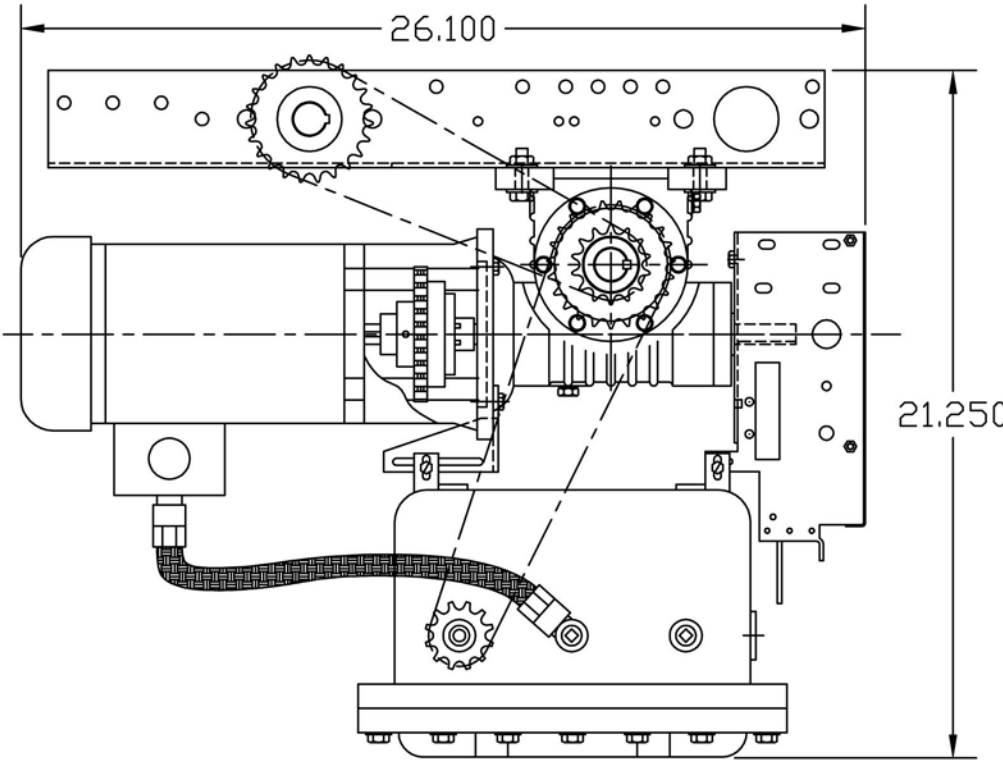
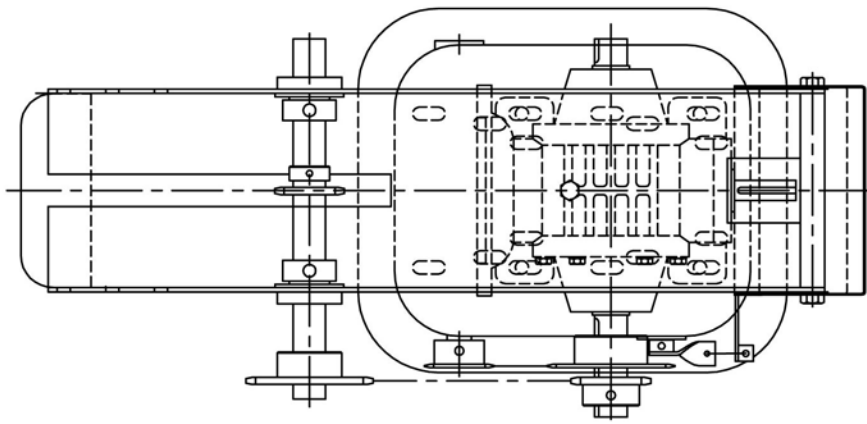


11.11.08	C.S.	D.J.	<b>MICANAN SYSTEMS INC.</b>		
DATE:	APPROVED:	DRAWN BY:			
UNLESS OTHERWISE SPECIFIED DIMENSIONS ARE IN INCHES TOLERANCES .XX=±.01 ANGLES=±30'			TITLE: <b>SLIDING DOOR PRO-GSDW R70 (N-4) BI-PARTING</b>		
<b>REVISION:A</b>			WEIGHT: 1b	SIZE: B	PAGE: 1/1
			CAD FILE: 2D-PROGSDW-R70-ME-N4 BI-PARTING		SCALE: 1:5

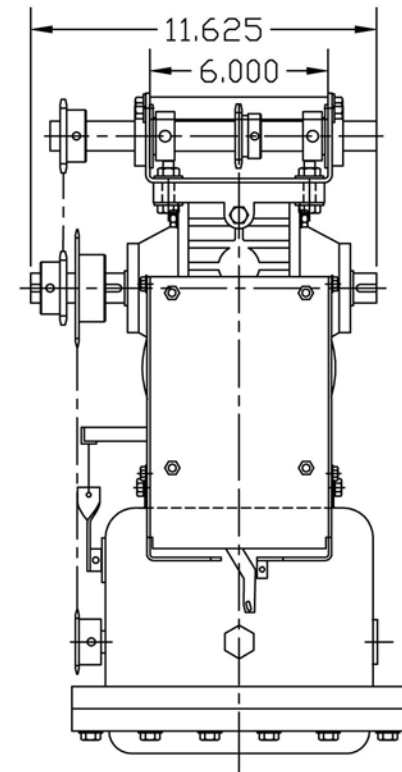
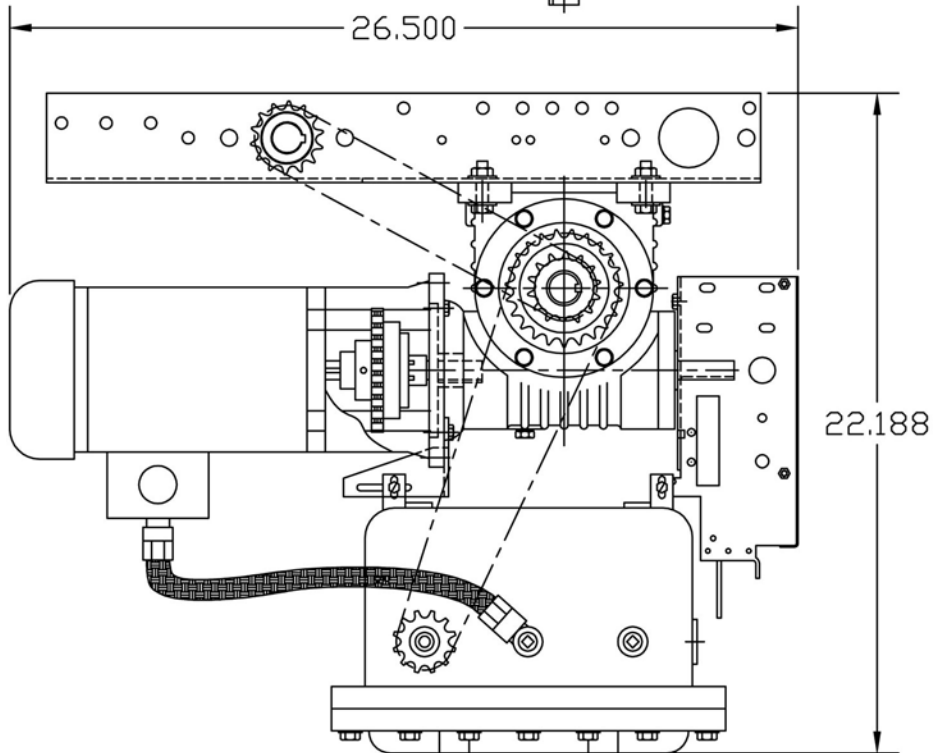
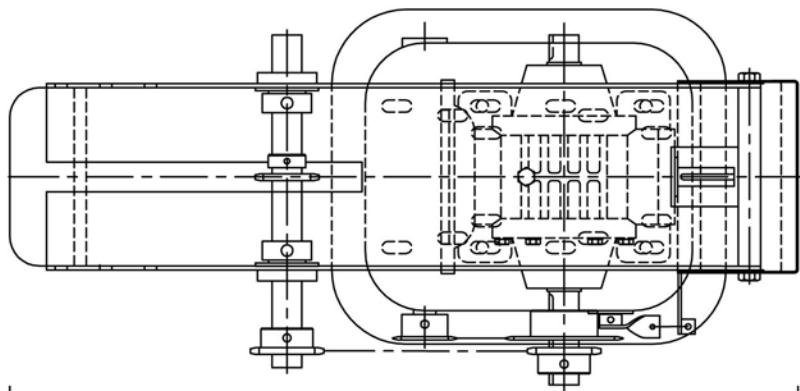




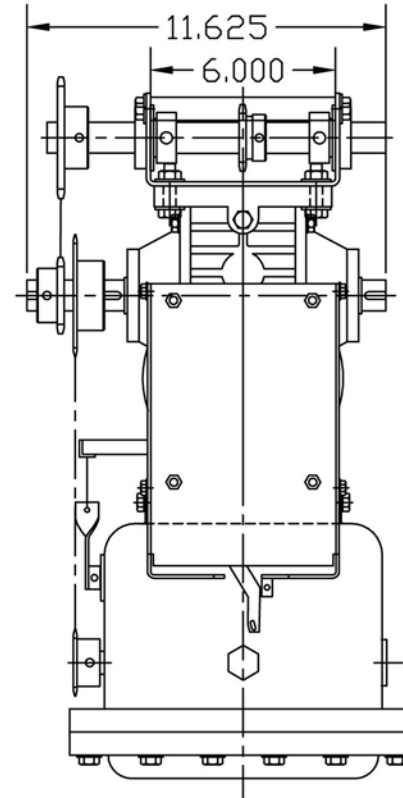
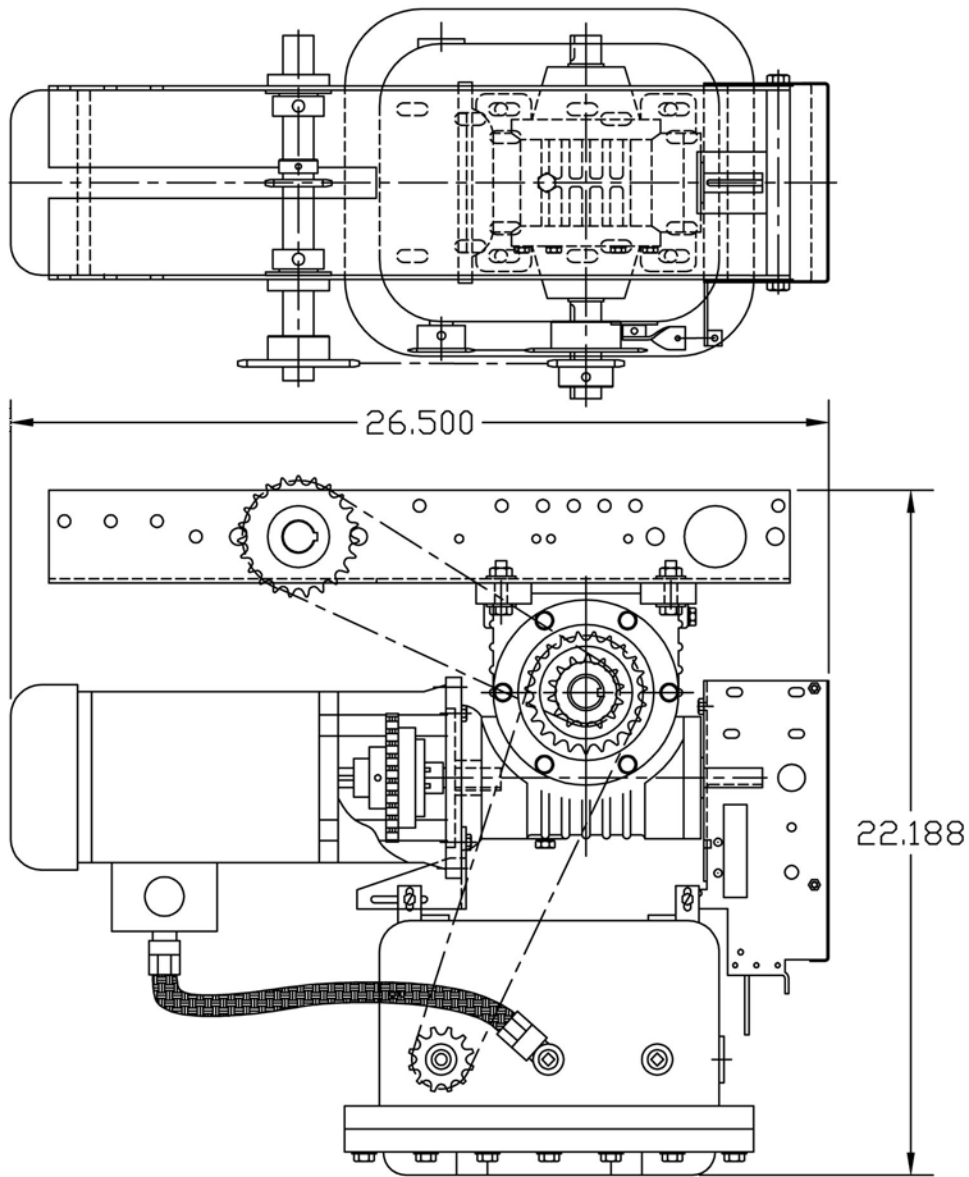
11.11.08	C.S.	D.J.	<b>MICANAN SYSTEMS INC.</b>	
DATE:	APPROVED:	DRAWN BY:		
UNLESS OTHERWISE SPECIFIED DIMENSIONS ARE IN INCHES TOLERANCES .XX=±.01 ANGLES=±30°			TITLE: <b>SLIDING DOOR PRO-GSDX R55 (N-7/9) SINGLE</b>	
<b>REVISION:A</b>			WEIGHT: 1lb	SIZE: B
			CAD FILE: 2D-PROGSDX-R55-ME-N7/9 SINGLE	PAGE: 1/1 SCALE: 1:5



11.11.08	C.S.	D.J.	<b>MICANAN SYSTEMS INC.</b>	
DATE:	APPROVED:	DRAWN BY:		
UNLESS OTHERWISE SPECIFIED DIMENSIONS ARE IN INCHES TOLERANCES .XX=±.01 ANGLES=±30'			TITLE: <b>SLIDING DOOR PRO-GSDX R55 (N-7/9) BI-PARTING</b>	
<b>REVISION:A</b>			WEIGHT: 1b	SIZE: B
			CAD FILE: 2D-PROGSDX-R55-ME-N7/9 BI-PARTING	PAGE: 1/1 SCALE: 1:5



11.11.08	C.S.	D.J.	<b>MICANAN SYSTEMS INC.</b>	
DATE:	APPROVED:	DRAWN BY:		
UNLESS OTHERWISE SPECIFIED DIMENSIONS ARE IN INCHES TOLERANCES .XX=±.01 ANGLES=±30'			TITLE: <b>SLIDING DOOR PRO-GSDX R70 (N-7/9) SINGLE</b>	
<b>REVISION:A</b>			WEIGHT: 1b	SIZE: B
			CAD FILE: 2D-PROGSDX-R70-ME-N7/9 SINGLE	PAGE: 1/1 SCALE: 1:5



11.11.08	C.S.	D.J.	<b>MICANAN SYSTEMS INC.</b>	
DATE:	APPROVED:	DRAWN BY:		
UNLESS OTHERWISE SPECIFIED DIMENSIONS ARE IN INCHES TOLERANCES .XX=±.01 ANGLES=±30'			TITLE: <b>SLIDING DOOR PRO-GSDX R70 (N-7/9) BI-PARTING</b>	
<b>REVISION:A</b>			WEIGHT: 1b	PAGE: 1/1
			CAD FILE: 2D-PROGSDX-R70-ME-N7/9 BI-PARTING	SCALE: 1:5