

PRO-GSD ARCHITECTURAL SHOP DRAWING

Date: _____

Page: _____ of _____

Drawing No.: _____

Architect/ Engineer: _____

Contractor: _____

Customer: _____

Number of Operators: _____

Horsepower: _____

Volts: _____

Phase: _____

Hertz: _____

Type of Door: _____

Door Width/ Height: _____ W x _____ H

Operator Nema Rating: _____

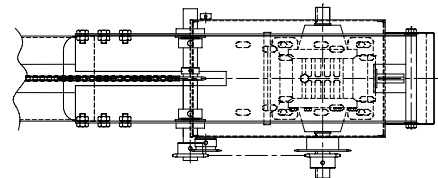
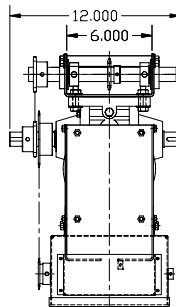
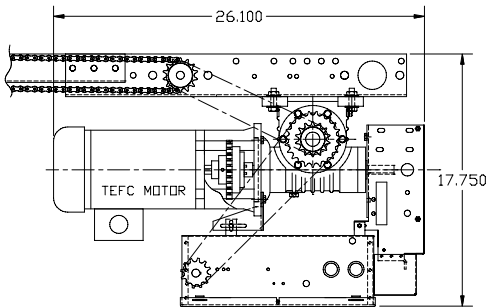
OPEN/ CLOSE/ STOP Control Stations: _____

FULL LOAD AMP RATING CHART (AMPS)

| VOLTAGE | 1/2 HP | 3/4 HP | 1 HP | 1.5 HP |
|---------------------|--------|--------|------|--------|
| 115V 1-Φ, 60 HZ | 9.0 | 11.2 | 14.6 | 15.2 |
| 230V 1-Φ, 60 HZ | 4.3 | 5.6 | 6.9 | 7.6 |
| 230V 1-Φ, 50 HZ | 5.5 | 6.7 | 7.6 | 10.0 |
| 208/230V 3-Φ, 60 HZ | 1.9 | 2.8 | 3.6 | 5.0 |
| 380V 3-Φ, 50 HZ | 1.1 | 1.4 | 2.2 | 2.6 |
| 460V 3-Φ, 60 HZ | 1.0 | 1.4 | 1.8 | 2.5 |
| 575V 3-Φ, 60 HZ | 0.8 | 1.1 | 1.4 | 1.8 |

Control Wiring Option: _____

- A** Relay Logic w/ interface module (monitored reversing device supplied)
- B** Smart 10.0 logic board (monitored reversing devices supplied)
- C** Relay Logic (not available in US or other areas where UL325 is mandated)



ADDITIONAL EQUIPMENT OR OPTIONS

