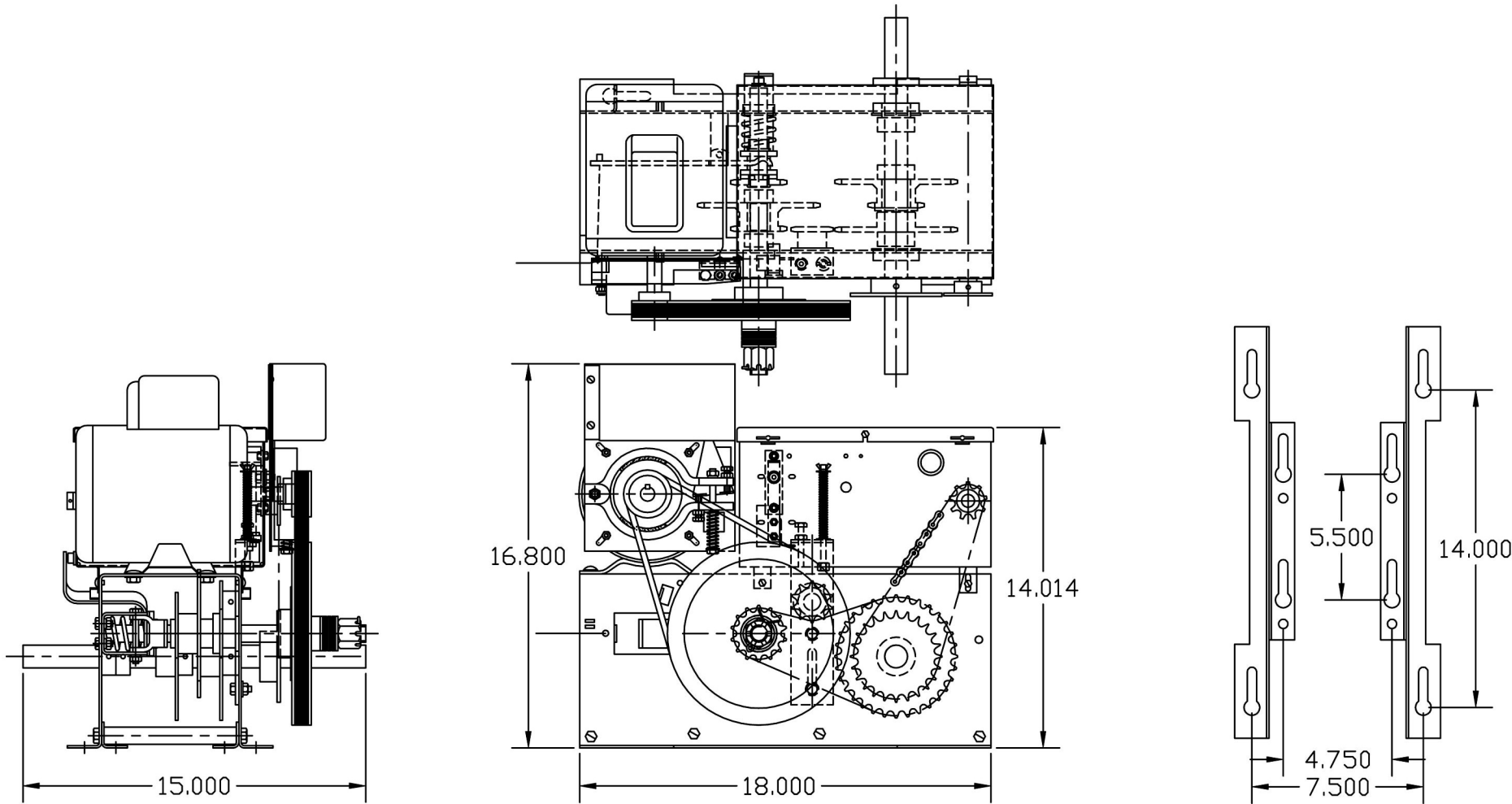


11.11.03	C.S.	D.J.	NICE GROUP CANADA INC.	
DATE:	APPROVED:	DRAWN BY:		
UNLESS OTHERWISE SPECIFIED DIMENSIONS ARE IN INCHES TOLERANCES .XX=±.01 ANGLES=±30°			JACKSHAFT OPERATOR PRO-EJ	
REVISION:A			WEIGHT: 1b	SIZE: B
			CAD FILE: 2D-PROEJ-ME	PAGE: 1/1 SCALE: 1:5



11.11.08	C.S.	D.J.	MICANAN SYSTEMS INC.	
DATE:	APPROVED:	DRAWN BY:		
UNLESS OTHERWISE SPECIFIED DIMENSIONS ARE IN INCHES TOLERANCES .XX=±.01 ANGLES=±30'			JACKSHAFT OPERATOR PRO-EJB	
REVISION:A			WEIGHT: 1lb	SIZE: B
			CAD FILE: 2D-PROEJB-ME	PAGE: 1/1 SCALE: 1:5