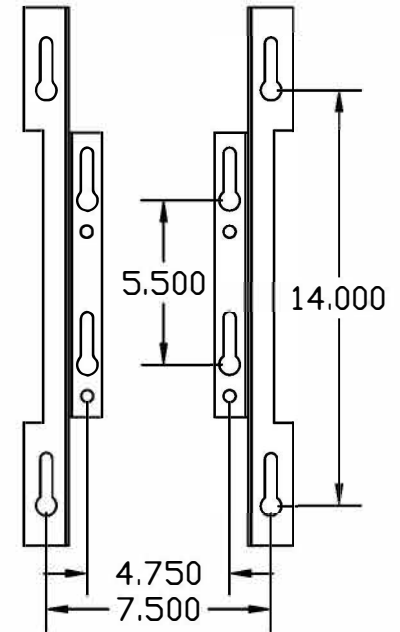
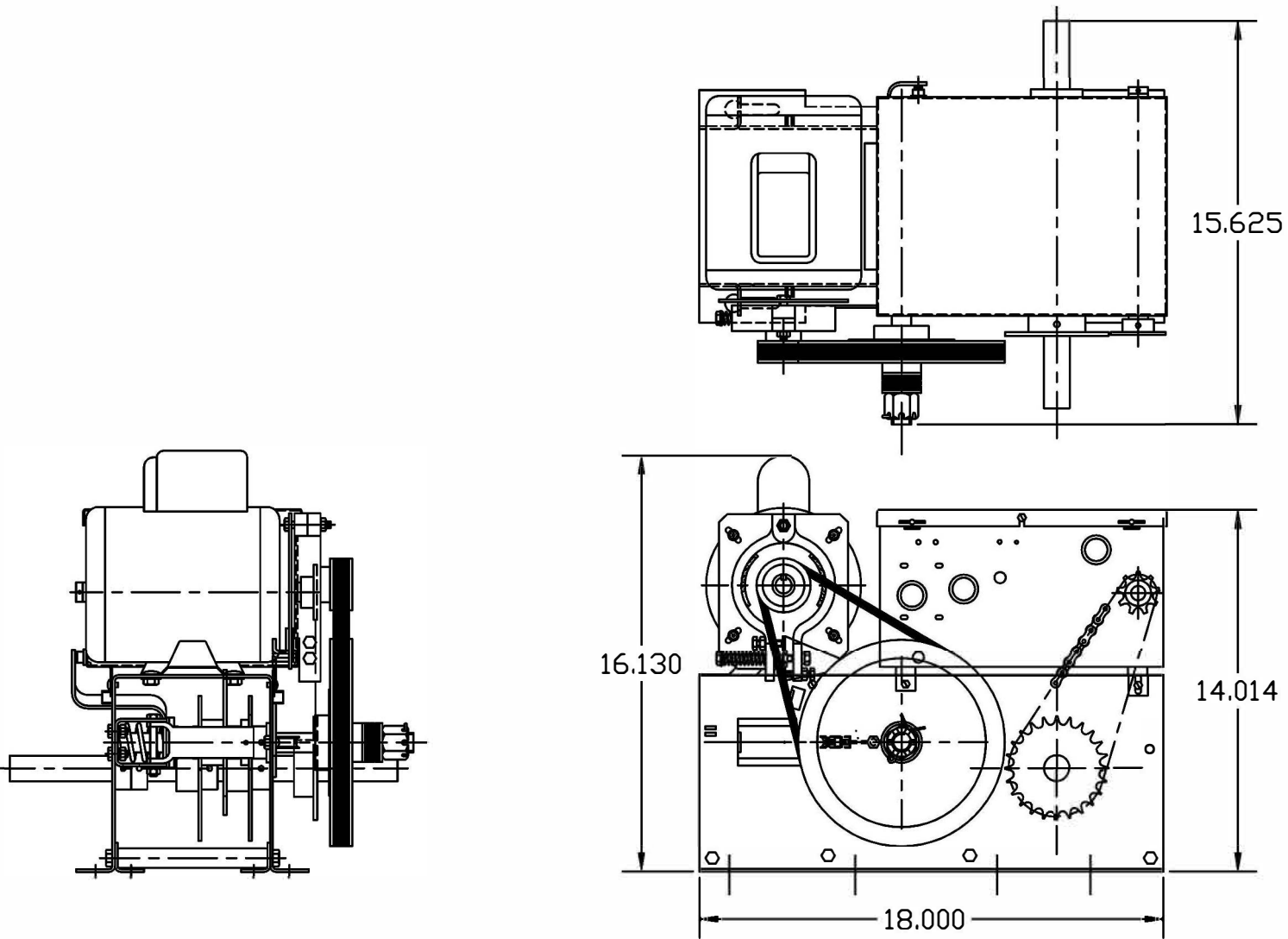
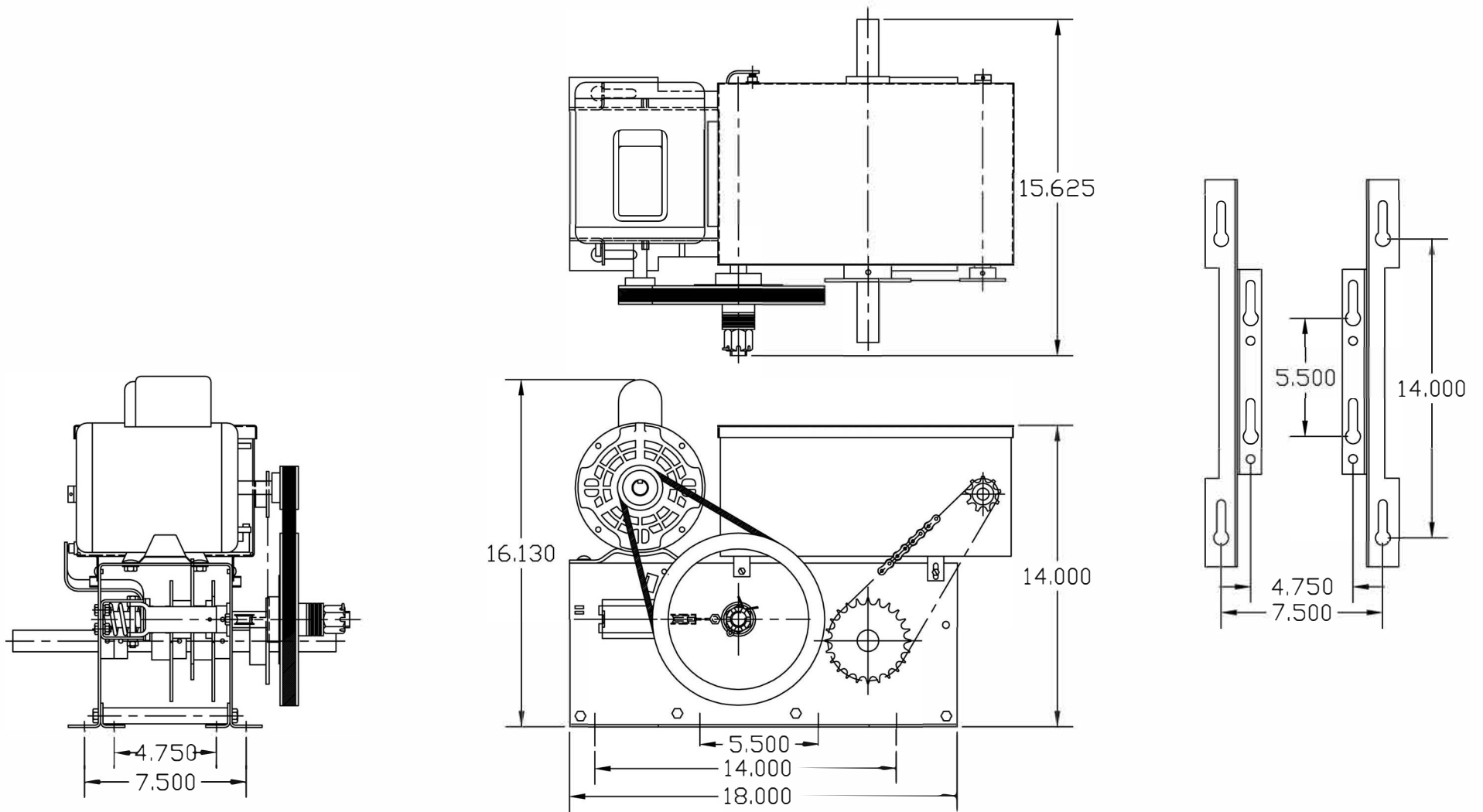


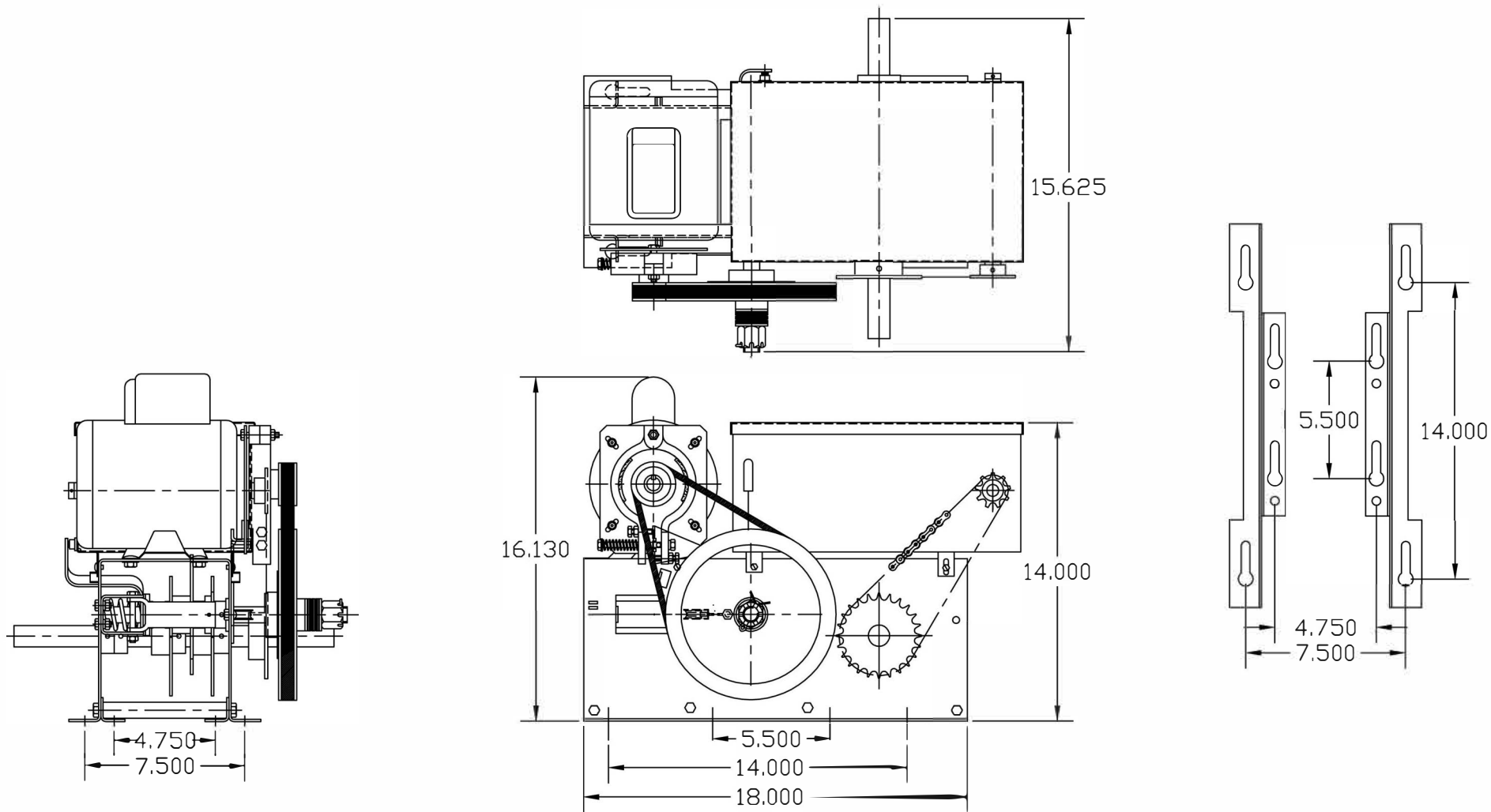
09.09.03	C.S.	D.J.	NICE GROUP CANADA INC.	
DATE:	APPROVED:	DRAWN BY:	TITLE:	
UNLESS OTHERWISE SPECIFIED DIMENSIONS ARE IN INCHES TOLERANCES .XX=±.01 ANGLES=±30'			BELT DRIVE OPERATOR PRO-J	
REVISION:A			WEIGHT: 1b	SIZE: B
			CAD FILE: 2D-PROJ-ME	PAGE: 1/1 SCALE: 1:5



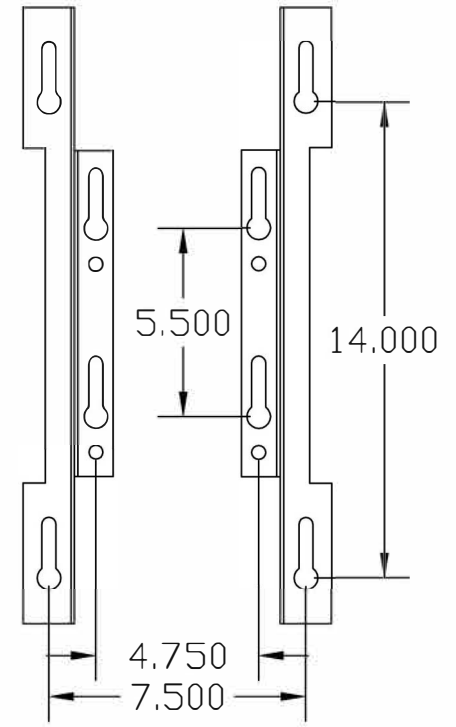
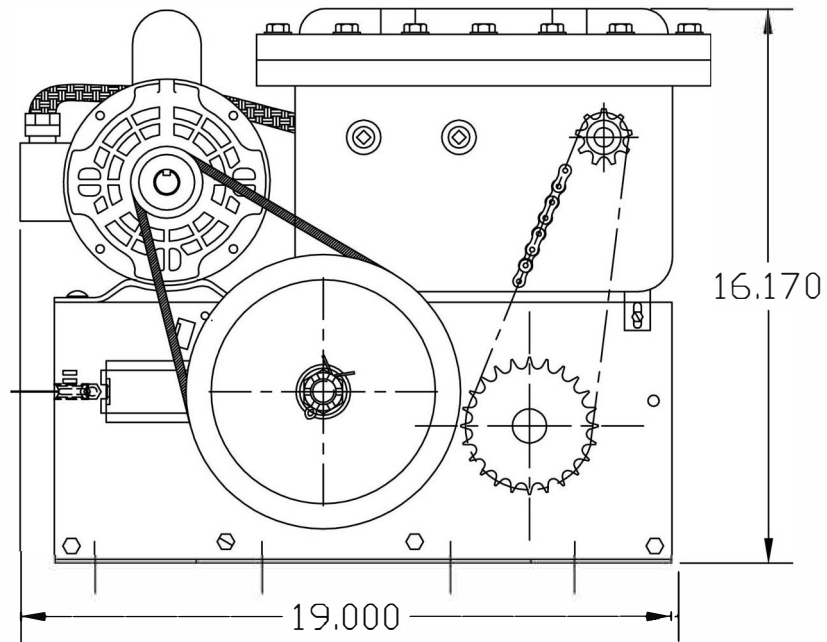
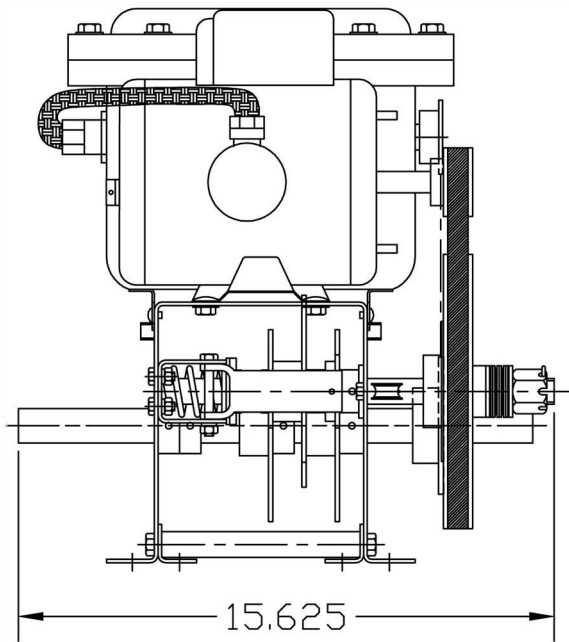
09.09.03	C.S.	D.J.	NICE GROUP CANADA INC.	
DATE:	APPROVED:	DRAWN BY:		
UNLESS OTHERWISE SPECIFIED DIMENSIONS ARE IN INCHES TOLERANCES .XX=±.01 ANGLES=±30'			BELT DRIVE OPERATOR PRO-JB	
REVISION:A				
			CAD FILE: 2D-PROJB-ME	PAGE: 1/1 SCALE: 1:5



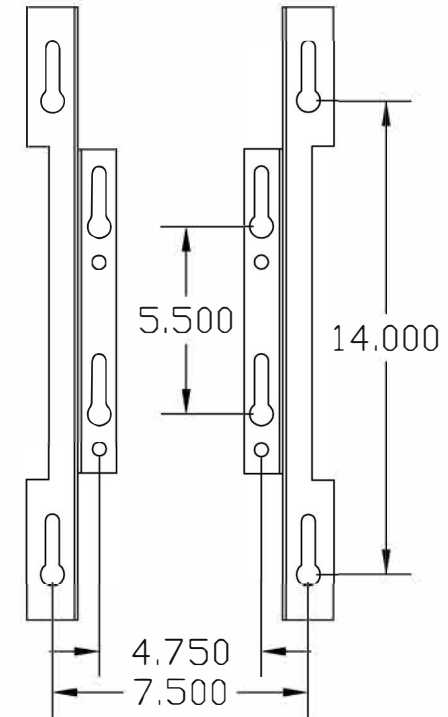
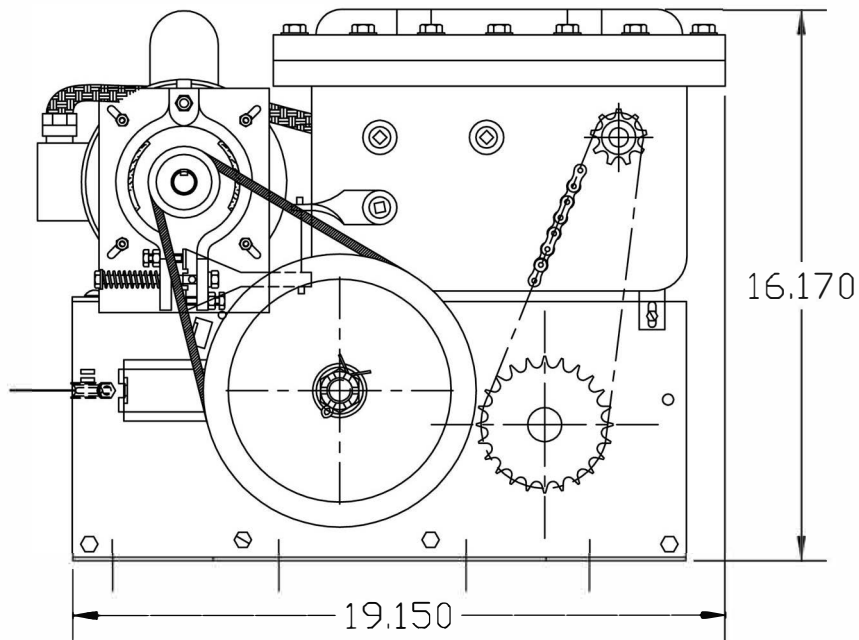
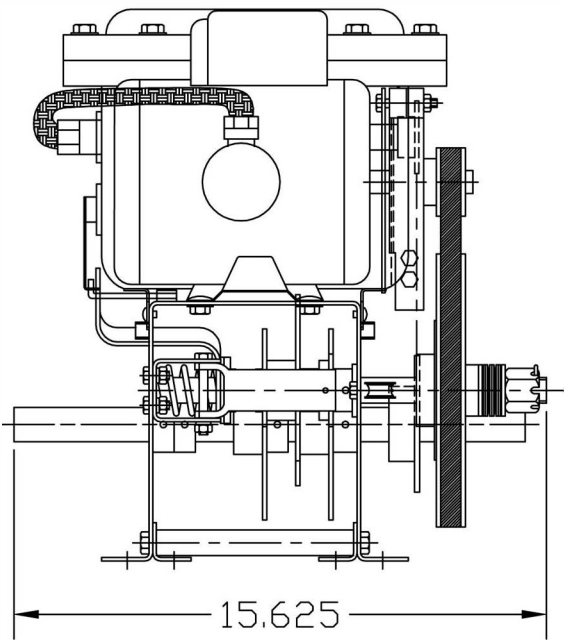
06.06.02	C.S.	D.J.	NICE GROUP CANADA INC.	
DATE:	APPROVED:	DRAWN BY:	TITLE:	
UNLESS OTHERWISE SPECIFIED DIMENSIONS ARE IN INCHES TOLERANCES .XX=±.01 ANGLES=±30'			BELT DRIVE OPERATOR PRO-JW (N-4)	
REVISION:A		WEIGHT: 1b	SIZE: B	PAGE: 1/1
		CAD FILE: 2D-PROJW-ME-N4		SCALE: 1:5



06.06.02	C.S.	D.J.	NICE GROUP CANADA INC.		
DATE:	APPROVED:	DRAWN BY:	TITLE:		
UNLESS OTHERWISE SPECIFIED DIMENSIONS ARE IN INCHES TOLERANCES .XX=±.01 ANGLES=±30'			BELT DRIVE OPERATOR PRO-JBW (N-4)		
REVISION:A			WEIGHT: 1lb	SIZE: B	PAGE: 1/1
			CAD FILE: 2D-PROJBW-ME-N4		SCALE: 1:5



06.06.04	C.S.	D.J.	NICE GROUP CANADA INC.	
DATE:	APPROVED:	DRAWN BY:	TITLE:	
UNLESS OTHERWISE SPECIFIED DIMENSIONS ARE IN INCHES TOLERANCES .XX=±.01 ANGLES=±30'			BELT DRIVE OPERATOR PRO-J X (N-7/9)	
REVISION:A			WEIGHT: 1b	SIZE: B
			CAD FILE: 2D-PROJX-ME-N7/9	PAGE: 1/1 SCALE: 1:4



11.11.09	C.S.	D.J.	NICE GROUP CANADA INC.
DATE:	APPROVED:	DRAWN BY:	
UNLESS OTHERWISE SPECIFIED DIMENSIONS ARE IN INCHES TOLERANCES .XX=±.01 ANGLES=±30'			TITLE: BELT DRIVE OPERATOR PRO-JBX (N-7/9)
REVISION:A			WEIGHT: 1b SIZE: B PAGE: 1/1 CAD FILE: 2D-PROJBX-ME-N7/9 SCALE: 1:4