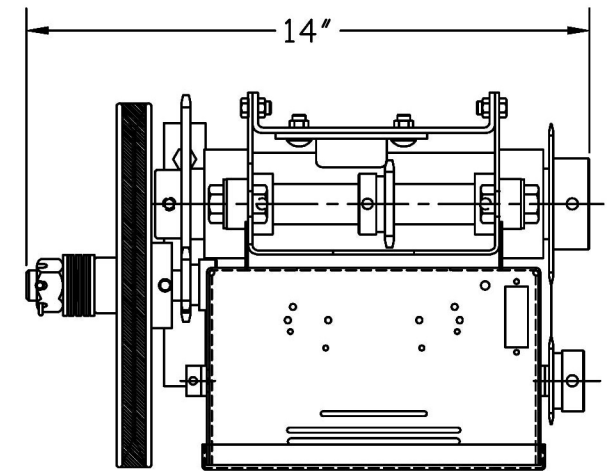
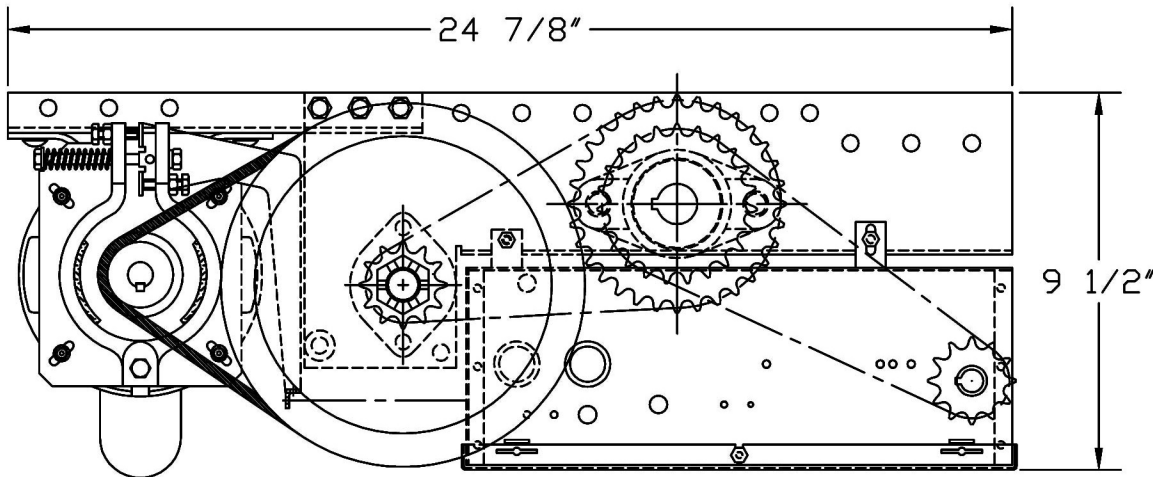
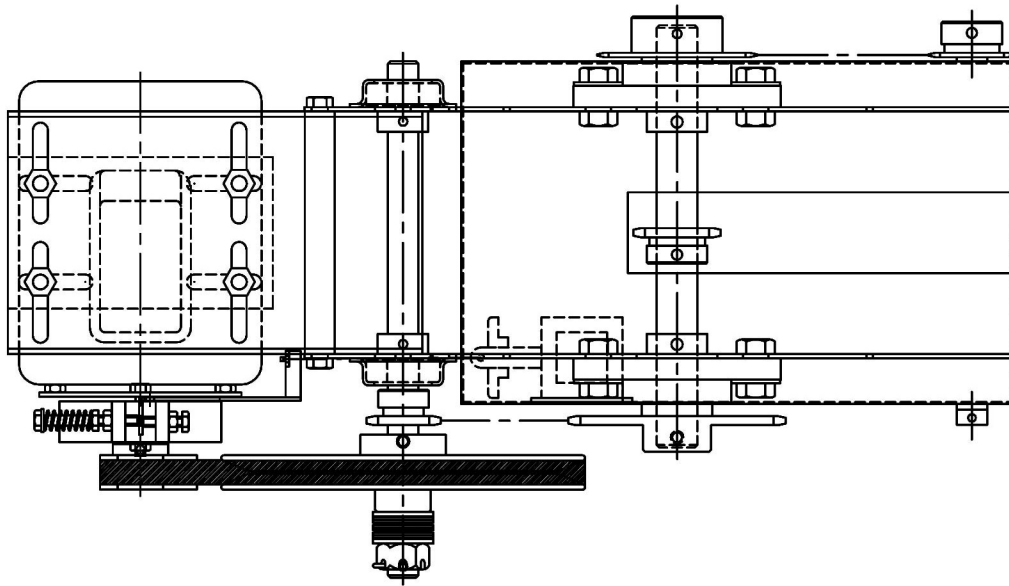


12.12.07	C.S.	D.J.	NICE GROUP CANADA INC.
DATE:	APPROVED:	DRAWN BY:	
UNLESS OTHERWISE SPECIFIED DIMENSIONS ARE IN INCHES TOLERANCES .XX=±.01 ANGLES=±30'			WEIGHT: 1b
REVISION:A			SIZE: B
			PAGE: 1/1
			SCALE: 1:4
			CAD FILE: 2D-PRO-APT-ME



12.12.07	C.S.	D.J.	MICANAN SYSTEMS INC.	
DATE:	APPROVED:	DRAWN BY:		
UNLESS OTHERWISE SPECIFIED DIMENSIONS ARE IN INCHES TOLERANCES .XX=±.01 ANGLES=±30'			WEIGHT: 1b	SIZE: B
REVISION:A			CAD FILE: 2D-PRO-APTb-ME	PAGE: 1/1 SCALE: 1:4