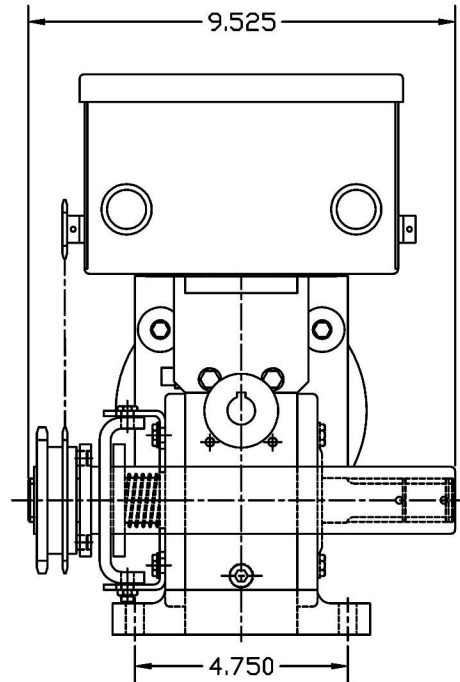
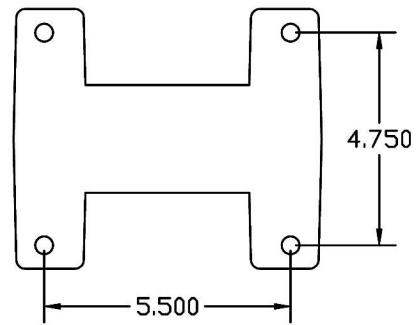
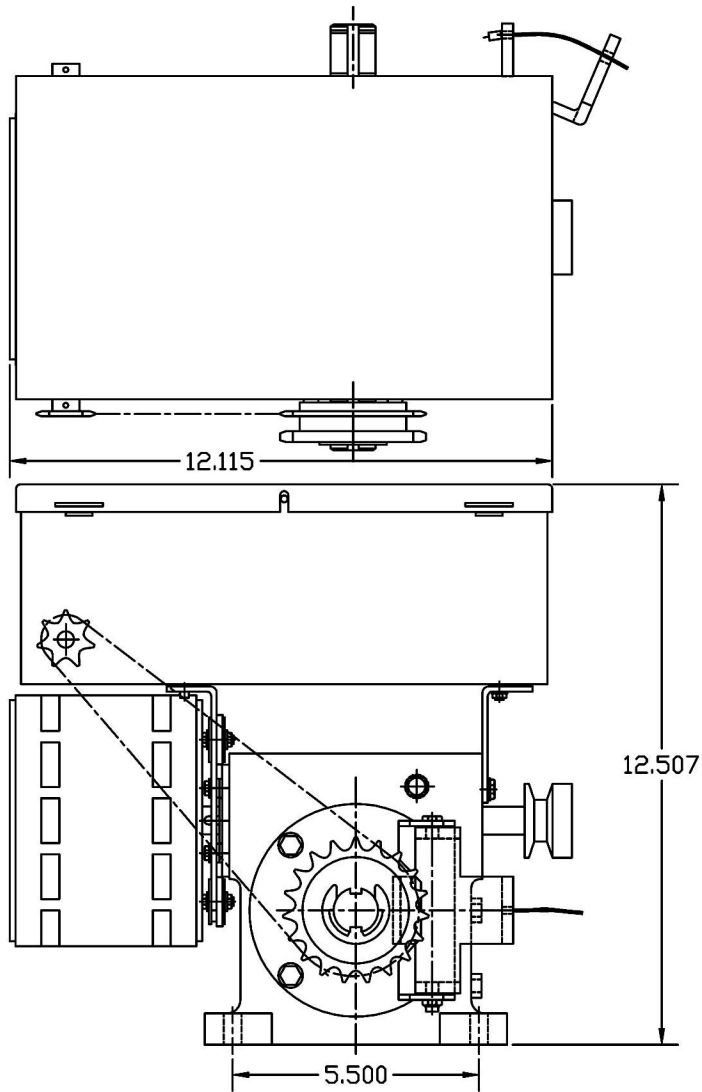


06.06.02	C.S.	D.J.	NICE GROUP CANADA INC.	
DATE:	APPROVED:	DRAWN BY:		
UNLESS OTHERWISE SPECIFIED DIMENSIONS ARE IN INCHES TOLERANCES .XX=±.01 ANGLES=±30'			PRO-GJ	
REVISION:A				
			CAD FILE: 2D-PROGJ-ME-RC	PAGE: 1/1
			SCALE: 1:3	



06.06.02	C.S.	D.J.	MICANAN SYSTEMS INC.	
DATE:	APPROVED:	DRAWN BY:		
UNLESS OTHERWISE SPECIFIED DIMENSIONS ARE IN INCHES TOLERANCES .XX=±.01 ANGLES=±30'			PRO-GJRW	
REVISION:A				
			CAD FILE: 2D-PROGJRW-ME-RC	PAGE: 1/1
			SCALE: 1:3	