

WIRELESS OPEN/CLOSE/STOP PUSH-BUTTON STATION (MV00296) INSTALLATION INSTRUCTIONS

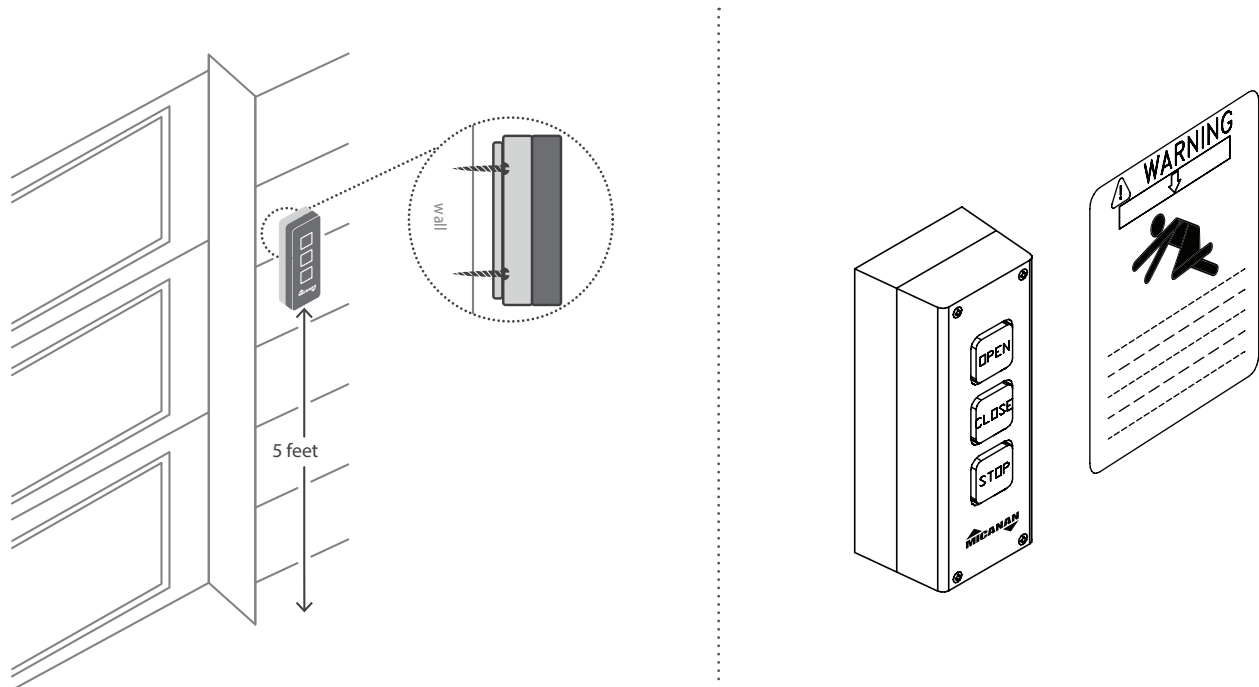
Nice MV00296 wireless push-button is only compatible with Nice logic board program 3.2.5

INSTALLING THE BATTERIES:

1. Loosen the 4 screws on PBS and gently remove cover. Install the 3 AA batteries (supplied).

MOUNTING THE PUSH BUTTON STATION:

1. The O/C/S PBS station must be installed away from all moving door parts, within sight of the door and a minimum of 5ft (1.5m) from the ground.
2. Two screws are included for proper mounting into wood or other similar material. A 5/64" X 3/4" pilot hole may need to be drilled for the mounting screws. If mounting to other materials consult a qualified building or hardware specialist for the proper hardware to insure secure mounting.
3. Insert top screw into top pilot hole leaving head of screw 1/16" away from wall.
4. Slide and lock back keyhole slot over exposed screw and position unit vertically.
5. Insert bottom screw and tighten and re-install PBS cover.
6. Install entrapment warning sign next to control station.



WIRELESS OPEN/CLOSE/STOP PUSH-BUTTON STATION PROGRAMING

Installing the operator Antenna

Direct Connection:

Attach the antenna when supplied with the operator to the RF connector on the operator control box. For best reception, keep antenna wire straight and away from metal objects.

Indirect Connection:

1. Connect coax extension cable (OPTIONAL) to the RF connector on the operator control box.
2. Route cable inside metal enclosure.
3. Route and secure cable away from moving parts.
4. Mount antenna holder (not provided) outside enclosure.
5. Attach antenna to extension wire.
6. Position antenna wire straight. For best reception, keep antenna away from metal.

Note: Do not route coax cable near any moving parts of the operator. If necessary secure coax wire away from any moving parts.

PROGRAMMING THE ON-BOARD RECEIVER:

Warning: During programming, door operator will activate. Keep people and objects away from door.

1. Connect power to door operator.
2. Press and hold the "LEARN" button on the operator control board until the LED turns ON (indicating that the Operator is ready to learn the Keyless Entry). The opener will remain in the learn mode for about 15 seconds.
3. To program the wireless open/close/stop push-button station, press the open button once. The pushbutton LED will turn on and the receiver's LED will blink three times indicating a successful programming.
4. Press the open button once to confirm the operation of the door operator in the open direction. The OPEN, CLOSE and STOP buttons on the push button station can be used to open, close and stop the operator respectively.

OPERATION:

1. Press and release the OPEN or CLOSE buttons.
2. Receiver LED will blink twice and door will cycle.

REPLACING THE PUSH-BUTTON BATTERIES

The batteries should provide power for up to 3 years depending on usage. If there is no power in the batteries, the push button LED will not turn on when OPEN, CLOSE or STOP buttons are activated. To replace the batteries, open the four screws on the push button station and replace the three AA batteries.

Note: Wireless push button station will work only with on-board receiver of the Nice SMART 10.0 logic board.

FCC ID: JCQMIC-WS Model: MV00296 IC: 1907A-MICWS

This device complies with Part 15 of the FCC Rules and with Industry Canada license-exempt RSS standard(s).
Operation is subject to the following two conditions: (1) This device may not cause harmful interference, and (2)
This device must accept any interference received, including interference that may cause undesired operation.

Le présent appareil est conforme aux CNR d'Industrie Canada applicables aux
appareils radio exempts de licence. L'exploitation est autorisée aux deux conditions suivantes : (1) l'appareil ne doit
pas produire de brouillage, et (2) l'utilisateur de l'appareil doit accepter tout brouillage radioélectrique subi, même
si le brouillage est susceptible d'en compromettre le fonctionnement.

Note: Changes or modifications not expressly approved by the party responsible