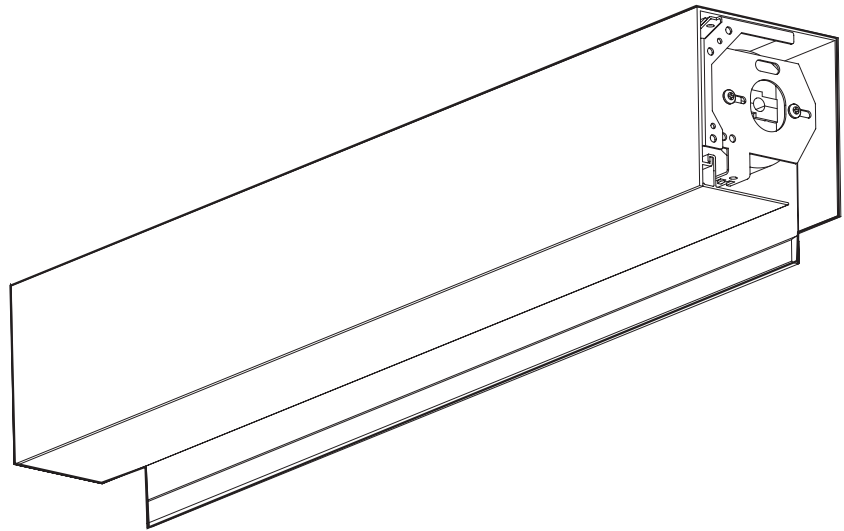


# Sun Shade

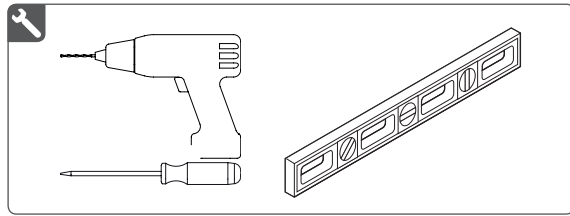


## Recessed Pocket

Installation

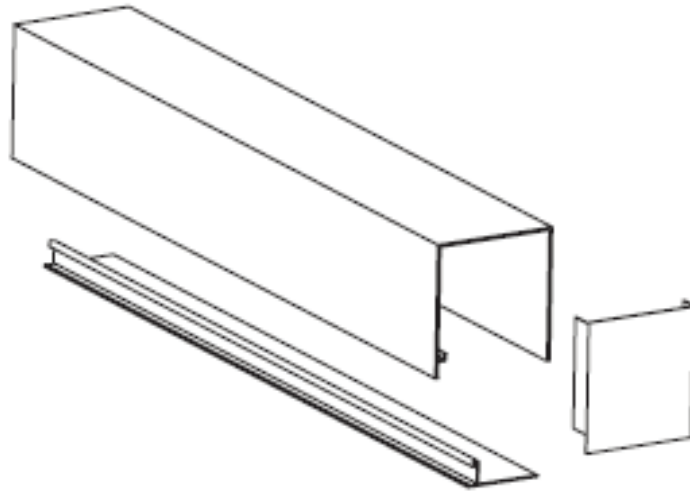
**Nice**

## Tools Needed



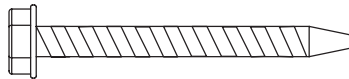
## 3-Sided Pocket

(1) Pocket, (1) Flap and (2) End Caps (if applicable)



### Recommended Mounting Screws

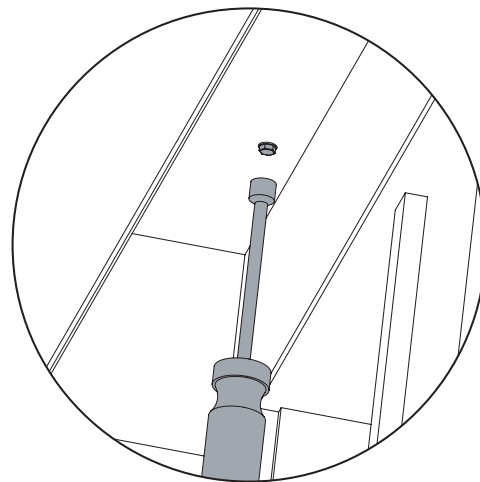
(#8 x 1.75 in (#8 x 44 mm) Hex head screws)



## Mount Pocket

If End Caps are being used, slide them in the ends of the pockets. End Caps should only be used if the pocket ends will be exposed.

Mount the pocket securely using appropriate fasteners.

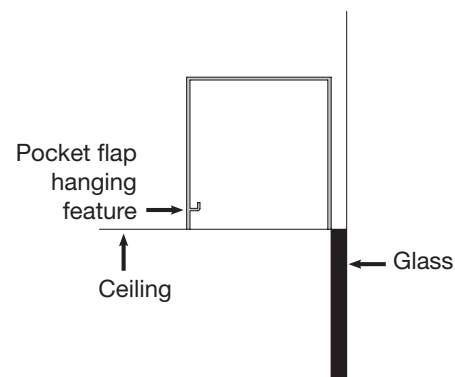


### **CAUTION** Risk of Bodily Injury from Falling Heavy Object.

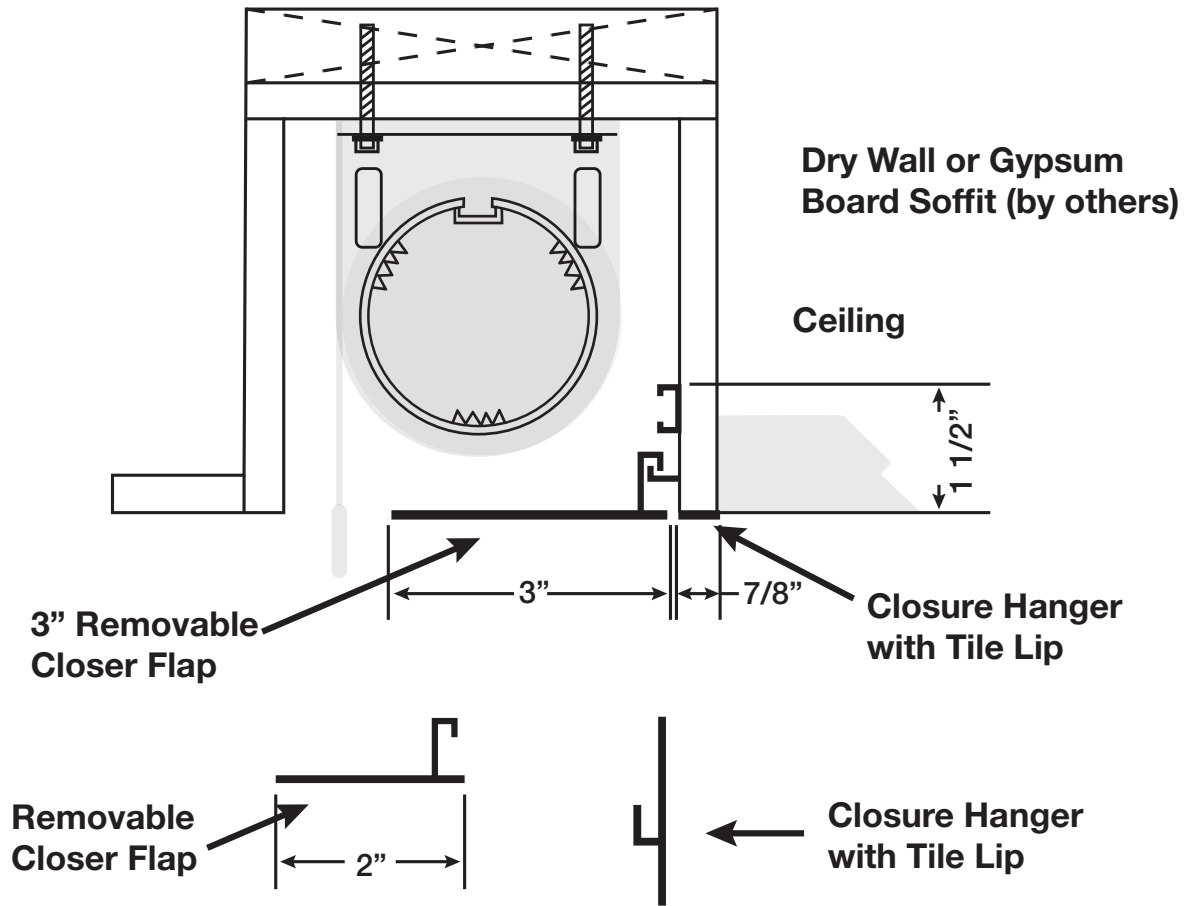
The Shade Brackets for each pocket must be mounted to support a weight of at least 300 pounds (136 kg).

Screws must be at least 6 inches (152 mm) inside fabric width to avoid shade-brackets.

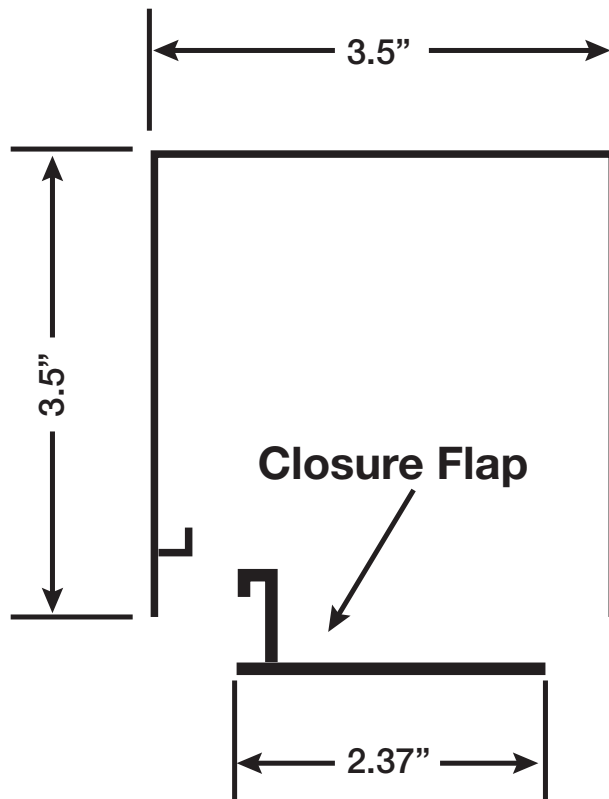
Confirm that the pocket flap hanging feature is on side opposite of the glass before tightening screws.



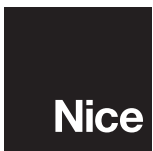
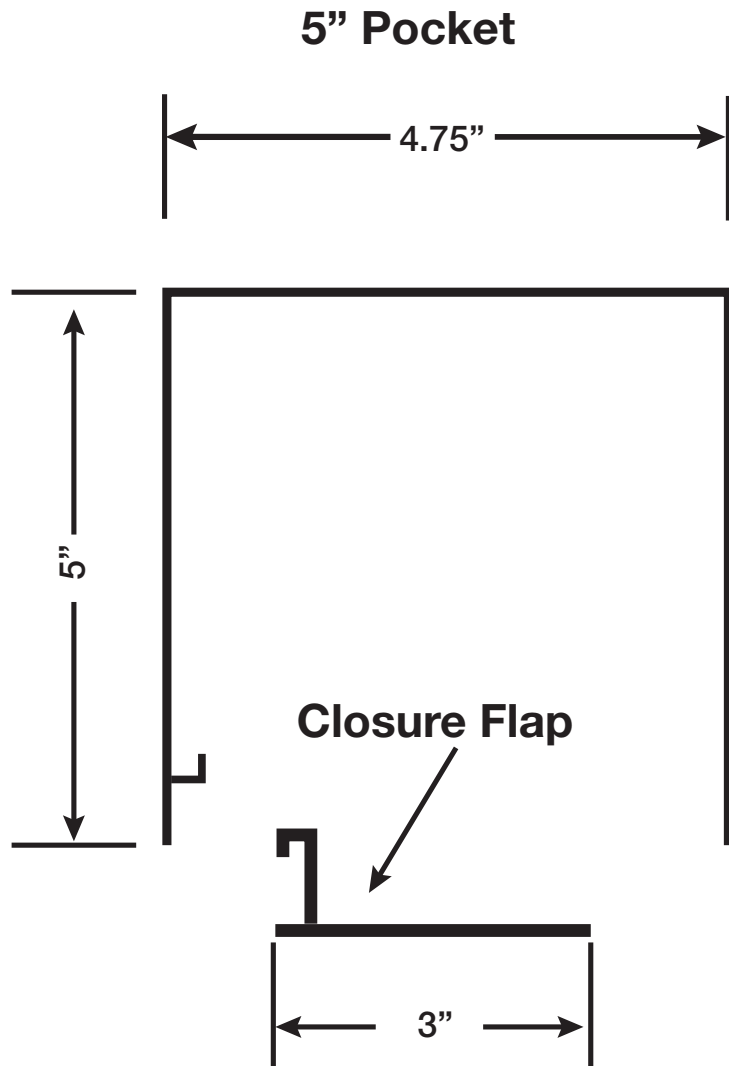
# Open Roll Installation



## 3.5" Pocket



# Open Roll Installation



**Niceforyou.com**

©2023 Nice North America LLC.  
All rights reserved.

**Technical Support:**  
800-421-1587

**Technical Support Hours:**  
M – F, 6am – 4pm PST

**Nice North America**  
c/o Customer Service  
5919 Sea Otter Place, Ste. 100  
Carlsbad, CA 92010