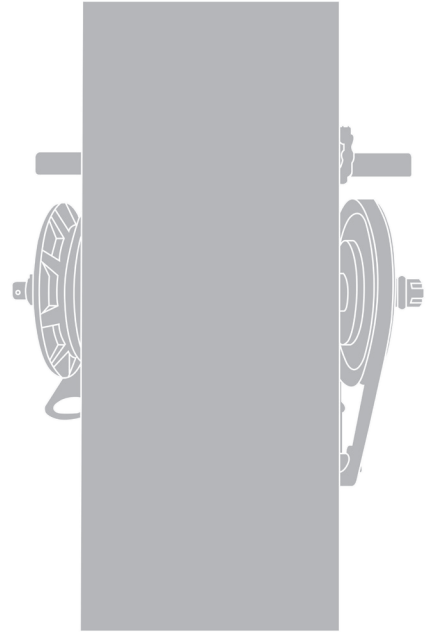


Pro-LH/LJ



Automation for sectional and rolling doors

Instructions and warnings for installation and use

Nice

Contents

Warranty	3
PRO-LJ & PRO-LH Specifications.	5
Important Safety Instructions	6
Important Installation Instructions	6
Installation Instructions	7
Electrical Connections.	10
SECTION A: PRO-LJ, PRO-LH Standard Relay Logic Controls (not UL325 (2010) Compliant, not available in US or Canada)	11
Connection of Power Supply and Control Station	11
Limit Switch Adjustment	11
Connection of a Reversing Edge Device and Control Accessories.	12
SECTION B: PRO-LJ(M), PRO-LH(M) Relay Logic Controls with Interface Module [UL325 (2010) Compliant]	13
Connection of Power Supply and Control Station	13
Operator Electrical Connections and Start-up Instructions	13
Important: Follow these steps carefully and in the order shown:	13
SECTION C: PRO-LJ(E), PRO-LH(E) Limited Duty Smart 5.0 Logic Board	16
Connection of External Single-Button Device	18
Modes of Operation.	18
Timer to Close Setup.	19
SECTION D: For all Operator Control Types	20
Limit Switch Adjustment	20
SECTION E: For Operators with Interface Modules or Logic boards	21
Installation of Nice N-1 or N-4 Photocells	21
Installation Safety Precautions	21
Wall Installation:	21
NICE N-4 Photocell (MK00650)	22
Wall installation	22
For Nice Nema-1 and Nema-4 photobeams	23
FRABA N-4/4X Thru-Beam Photocell (MK00697).	24
Clutch Adjustment	25
Break Adjustment	26
Emergency Manual Operation.	27
Operator Maintenance.	28
Jackshaft Operator Pro-LJ Parts Diagram	29
Jackshaft Operator Pro-LJ Parts List	30
Jackshaft Operator Pro-LH Parts Diagram.	32
Jackshaft Operator Pro-LH Parts List.	33
MSLHR-WW Wiring Diagram.	35
MSLH2-WW Wiring Diagram	36
MS300LH-WW Wiring Diagram	37
MSLHR-IM-WW Wiring Diagram.	38
MSLH2-IM-WW Wiring Diagram	39
MS300LH-IM-WW Wiring Diagram	40
MSLLHR-110V-WW Wiring Diagram.	41
MSLLHR-220V-WW Wiring Diagram.	42
Notes	43

Warranty

NICE NORTH AMERICA warrants that materials and workmanship are free from defects for a period of four (4) years or 50,000 cycles, whichever comes first. The start of the warranty will be determined by the date of invoice. Materials returned to Nice deemed defective after examination will be returned at the option of Nice with repaired, new, or re-manufactured parts.

NICE NORTH AMERICA will not be responsible for any charges incurred in the process of returning defective material. All returned material must be received pre-paid, or it will not be accepted.

This warranty is limited, and in lieu of all other warranties expressed or implied. There is no expressed liability due on the part of the seller.

NICE CANADA will not be responsible for any extra charges incurred in the process of returning defective material. All returned material must be received pre-paid or it will not be accepted.

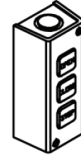
This warranty is limited, and in lieu of all other warranties expressed or implied. There is no expressed liability due on the part of the seller.

IMPORTANT

FOR ANY QUESTIONS CONCERNING THE SAFETY OR OPERATION OF THIS OPERATOR, PLEASE CONTACT NICE AT 1-877-888-1116. SAVE THESE INSTRUCTIONS.

Upon delivery of your Nice medium-duty jackshaft door operator, please inspect the unit carefully for damage. Verify that operator horsepower, voltage, phase and amperage correspond to available power supply and door application. Check that along with your operator you have received the following standard hardware.

1 x OPEN/CLOSE/STOP 3-Button Control Station



1 x #41 Drive chain package: 4' (1.2m) c/w #41 connecting link



1 x Drive Sprocket 41B12 x 1" c/w 2 set screws 1/4" x 1-1/4" keyway

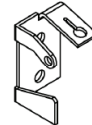


1 x Door Sprocket: 41B32 x 1" c/w 2 set screws and 1/4" x 1-1/4" keyway.

NOTE: Sprocket size and bore may vary according to door size and type, shaft size and drum diameter.



1 x Chain Keeper



1 x Keyring



4 x 3/8" bolt, hex nut, lock washer and flat washer



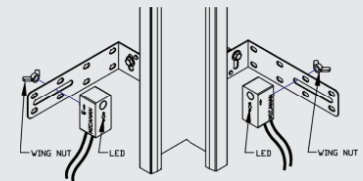
1 x pocket wheel hand chain (Model PRO-LH) 2 x door height less 4' (1.2m)



1 x Warning Sign



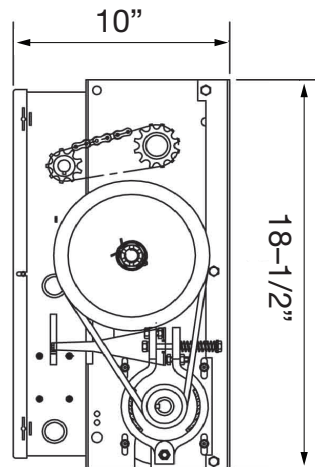
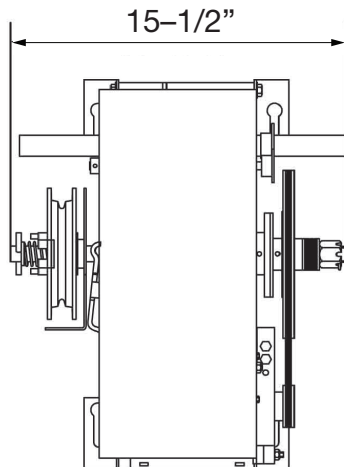
1 set of Nice photocells (supplied when operator ordered with interface module or logic board controls)



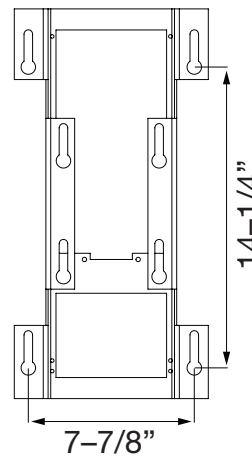
PRO-LJ & PRO-LH Specifications

PRO-LJ and PRO-LH medium duty jackshaft operators are designed for commercial high lift, vertical lift, rolling doors and rolling grilles provided that doors are driven by a drive shaft with low duty cycles. Model PRO-LH is essentially the same as model PRO-LJ with the exception that the PRO-LH operator incorporates a chain hoist for manual operation of the door.

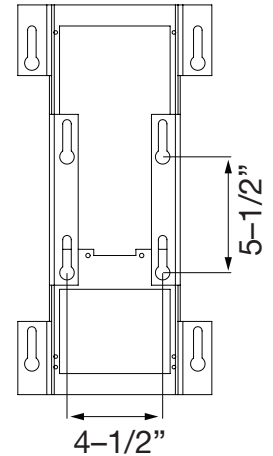
Standard Operator Weight	45-50 lbs	
Motor	Intermittent duty 1000 RPM motor with high starting torque. Thermally protected by a built-in thermostat that cuts power to the motor and control circuit when overheating.	
Horsepower	1/2 HP	
Voltage	115V 1-phase (60Hz)	220V 1-phase (50Hz)
	230V 1-phase (60Hz)	380V 3-phase (50Hz)
Reduction	Primary: (4L) V-belt and pulleys (1.5" to 7" diameter)	
	Secondary: #41 chain and sprockets	
Output Shaft Speed	58 RPM	
Brake	Solenoid actuated drum and brake shoe braking system to prevent coasting and maintain door position.	
Wiring Type (3 Options)	Option 1: Limited Duty Logic board Smart 5.0 (UL325 (2010) compliant). NOTE: Nice compatible primary entrapment device must be connected for B2 or TS (momentary or timer activation on close) feature.	
	Option 2: Relay Logic controls with Interface Module (UL325 (2010) compliant). C2 Standard factory wiring (constant pressure on close, momentary contact on open and stop). If momentary contact on close (B2) wiring is desired, connect loose "purple" wire to terminal #5. NOTE: Nice compatible primary entrapment device must be connected for B2 (momentary activation on close) feature.	
	Option 3: Standard relay logic controls (not UL325 (2010) compliant, not available in US) C-2 Wiring constant pressure on close, momentary contact on open and stop. NOTE: If momentary contact on close (B2) wiring is desired, connect loose "purple" wire from terminal #5.	
Transformer	24VAC control circuit, supplies power to drive control relays with 15VA power available for external devices.	
Limit Adjustment	4 micro switches that control door travel. These limit switches are activated by fully adjustable screw type cams.	
Emergency Disconnect	Floor level cable disconnect system with electrical cut-out feature allows person to manually operate door by chain hoist in case of emergency.	
Clutch	Adjustable friction clutch to minimize damage to door operator, door or vehicles when obstruction occurs.	
Operator Dimensions:		



WALL MOUNT



BRACKET MOUNT



Important Safety Instructions

WARNING: To reduce the risk of injury or death:

- READ AND FOLLOW ALL INSTRUCTIONS
- Never allow children to operate or play with door controls. Keep the remote control (where provided) away from children.
- Personnel should keep away from a door in motion and keep the moving door in sight until it is completely closed or opened. **NO ONE SHOULD CROSS THE PATH OF A MOVING DOOR.**
- Test the door's safety features at least once a month. After adjusting the limit of travel, retest the door operator's safety features. Failure to adjust the operator properly may cause severe injury or death.
- For products having a manual release, if possible, use the manual release only when the door is closed. Use caution when using this release when the door is open. Weak or broken springs may cause the door to fall rapidly, causing severe injury or death.
- **KEEP DOORS PROPERLY OPERATING AND BALANCED.** See Door Manufacturer's Owner's Manual. An improperly operating or balanced door could cause severe injury or death. Have trained door systems technician make repairs to cables, spring assemblies, and other hardware.
- Press the "OPEN" device or use emergency disconnect mechanism if a person is trapped under the door.
- **SAVE THESE INSTRUCTIONS.** The owner or users must understand the safety and operation of door system. Insure that this installation manual be located close to the door system.

Important Installation Instructions

- READ AND FOLLOW ALL INSTALLATION INSTRUCTIONS
- Commercial door operators are never to be installed on a residential installation
- Install only on a properly operating and balanced door. A door that is operating improperly could cause severe injury. Have qualified service personnel make repairs to cables, spring assemblies, and other hardware before installing the operator.
- Remove all pull ropes and remove, or make inoperative, all locks (unless mechanically and/or electrically interlocked to the power unit" that are connected to the door before installing the operator.
- Install the door operator at least 8 feet or more above the floor if the operator has exposed moving parts.
- Do not connect the operator to the source of power until instructed to do so.
- Locate the control station: (a) within sight of the door, (b) at a minimum height of 5 feet so that small children cannot reach it, and (c) away from all moving parts of the door.
- Install the Entrapment Warning Placard next to the control station in a prominent location.
- For products having a manual release, instruct the end user on the operation of the manual release.
- Install non-contact entrapment protection devices (photocells) and/or contact entrapment protection devices (reversing edges). **NOTE:** photocells should be installed at no more than 6" from the floor. Edges should be installed on the leading edge of the door.

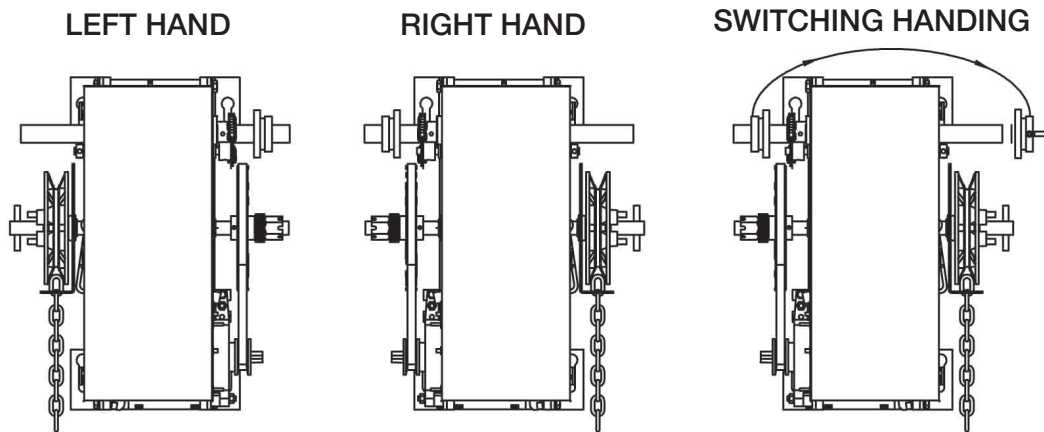
Installation Instructions

⚠ WARNING ⚠

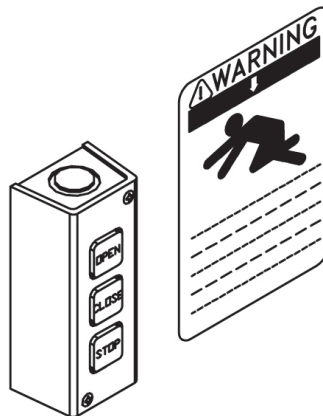
DO NOT INSTALL THIS OPERATOR BEFORE READING THIS MANUAL CAREFULLY.

NOTE:

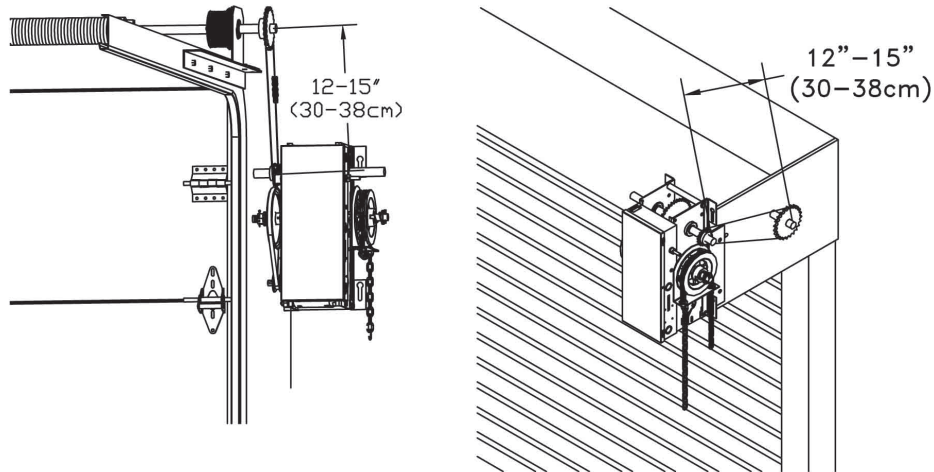
- Installation of operator must be done by a qualified installer. Door must be properly installed and working smoothly. Remove all door locks prior to installation.
- The PRO-LJ, PRO-LH operators have dual output shafts and may be mounted on left (standard) or right hand side of door. If handing of operator must be reversed, loosen set screws, remove drive sprocket and keyway and install on opposite side of drive shaft.



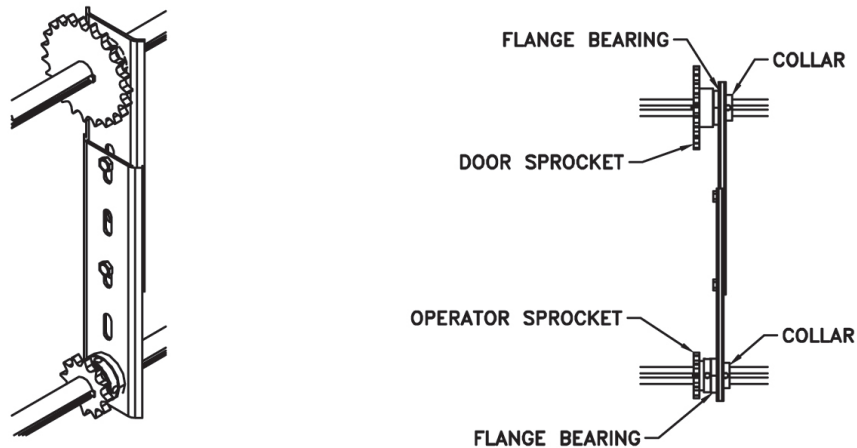
- For the PRO-LH operator which incorporates a chain hoist mechanism the handing of the operator must be stated at time of order. Depending on installation, if handing of chain hoist is not correct the hand chain may hang in door opening. If this is the case, swing chain off to the side and hook it over the top of the door jamb. Do not attempt to reverse chain hoist on site.
1. Install control station away from all moving door parts, within sight of the door and a minimum of 5 ft (1.5 m) from the ground.
 2. Install entrapment warning sign next to control station.



- As a general rule, the door operator should be installed below the drive shaft and as close to the door as possible. The ideal distance between the operator drive shaft and the door shaft is approximately 12" (30cm) to 15" (38cm). The operator may be wall/bench mounted or bracket /shelf mounted. These two mounting configurations are shown below:

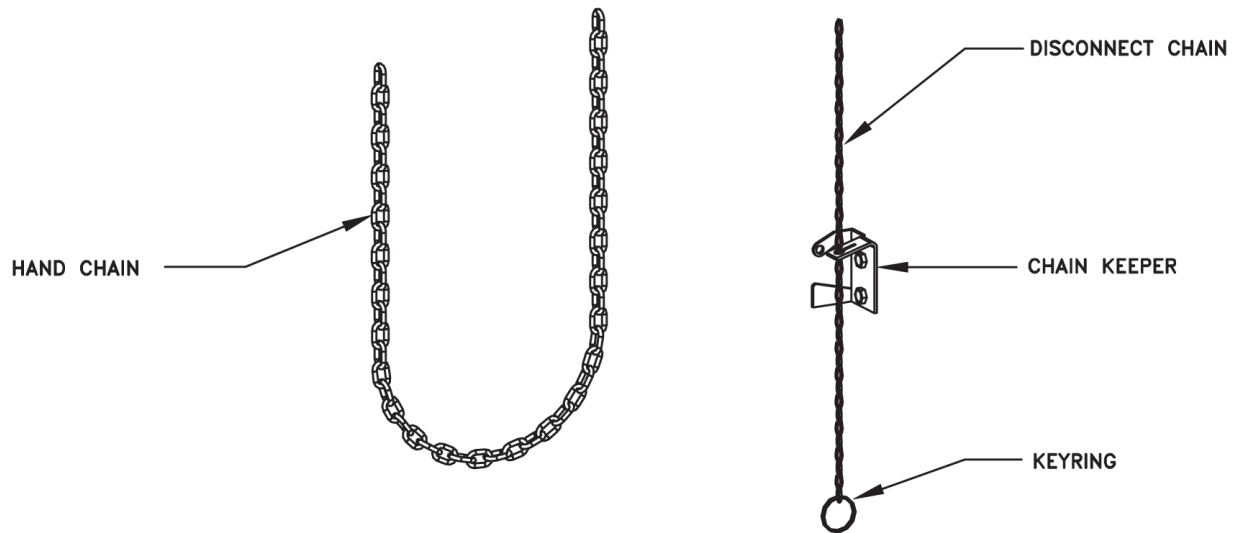


- Mount the operator to the wall, hood or bench with 3/8" bolts, nuts and washers provided or with lag bolts and shields if installation requires it. Make sure that operator is secured but do not tighten bolts.
- Place door sprocket on door shaft and align with operator drive sprocket but do not insert keyway or set screws.
- If an optional chain spreader has been ordered with your operator, install as shown below:

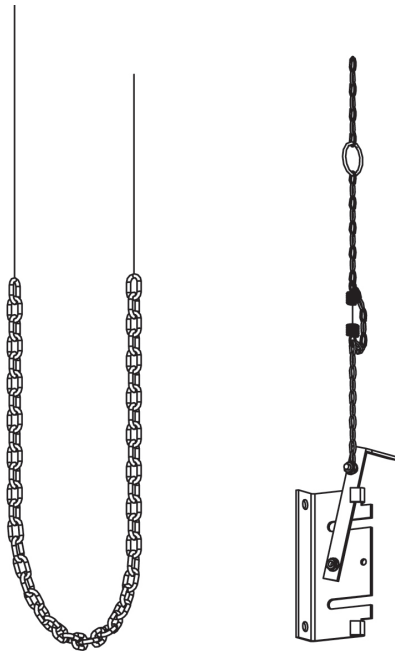


- Install drive chain over sprockets, cut to a suitable length and connect with connecting link.
- Lower or raise operator to adjust chain tension so that there is no more than 1/4" chain slack between sprockets. Tighten operator mounting bolts.
- Carefully re-align sprockets, if necessary and secure keyway and set screws.
- (For the Pro-LH model) Install hand chain by wrapping it through chain guard holes and pocket wheel. Allow chain to hang down towards floor. Cut chain and connect so that chain is 2' to 3' from the floor.

11. Install chain keeper to wall near hand chain at approximately 4' from floor. Run disconnect chain through keyhole of chain keeper and cut excess chain links if required. Attach keyring to end of disconnect chain.



12. If an **optional** floor level disconnect lever was ordered in lieu of the chain keeper, mount to wall with suitable hardware. Attach both chains together using keyring provided. Allow disconnect chain to be slightly slack when lever is in the up position.



Electrical Connections

These are 3 possible electrical control configurations for this operator:

- A) **Standard relay logic controls (not UL325 (2010) compliant, not available in US or Canada).** Refer to Section A for electrical connections. Refer to electrical drawings inside your operator control box or generic drawings MSLHR-WW, MSLH2-WW or MS300LH-WW in the electrical drawings section at the end of this manual.
- B) **Relay logic controls with Interface Module (UL325 (2010) compliant).** Refer to Section B for electrical connections. Refer to electrical drawings inside your operator control box or generic drawings MSLHR-IM- WW or MSLH2-IM-WW or MS300LH-IM-WW in the electrical drawings section at the end of this manual.
- C) **Limited duty logic board Smart 5.0 (UL325 (2010) compliant).** Refer to Section C for electrical Connections and logic board instructions. Refer to electrical drawings inside your operator control box or generic drawings MSLHR-WW or MSLHR220-WW, in the electrical drawings section at the end of this manual.

IMPORTANT

- NICE HIGHLY RECOMMENDS THAT EACH INDIVIDUAL COMMERCIAL DOOR OPERATOR HAVE IT'S OWN DEDICATED POWER SUPPLY.
- NICE HIGHLY RECOMMENDS THAT EACH INDIVIDUAL COMMERCIAL DOOR OPERATOR HAVE AN EXTERNAL CIRCUIT BREAKER OR FUSED DISCONNECT.

⚠ WARNING ⚠

COMPARE AVAILABLE POWER SUPPLY VOLTAGE TO OPERATOR NAMEPLATE PRIOR TO ELECTRICAL CONNECTION. FAILURE TO CONNECT APPROPRIATE POWER SUPPLY VOLTAGE MAY CAUSE SERIOUS DAMAGE TO OPERATOR.

Refer to electrical diagrams inside control box cover or at the end of this manual prior to connection of power supply or control station.

⚠ WARNING ⚠

TO REDUCE THE RISK OF INJURY OR DEATH:

ALL ELECTRICAL CONNECTIONS SHOULD BE MADE BY A QUALIFIED SERVICE PERSON.

DO NOT ATTEMPT TO MAKE ELECTRICAL CONNECTIONS TO OPERATOR UNLESS POWER SUPPLY HAS BEEN DISCONNECTED AT FUSE BOX.

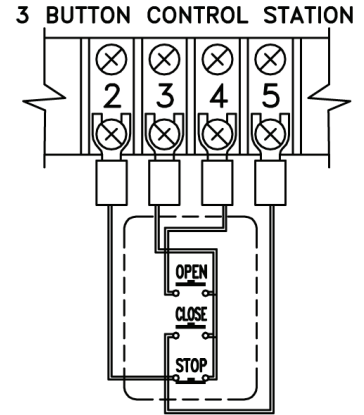
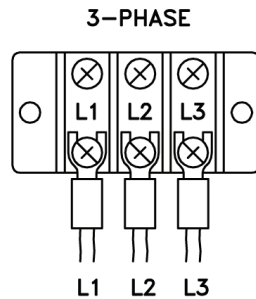
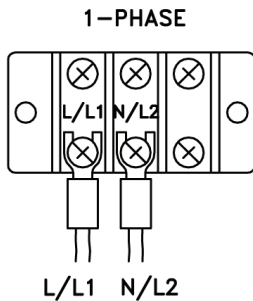
OPERATOR MUST BE CONNECTED IN ACCORDANCE TO LOCAL ELECTRICAL CODES AND GROUNDED TO GREEN GROUND LUG LOCATED INSIDE CONTROL BOX.

SECTION A: PRO-LJ, PRO-LH Standard Relay Logic Controls (not UL325 (2010) Compliant, not available in US or Canada)

Connection of Power Supply and Control Station

POWER WIRING: Use 1-1/8" (2.85 cm) diameter holes for all power wiring.

1. **Single phase:** Connect single phase power supply to terminals L/L1 (line) and N/L2 on three-pole power terminal strip.
2. **Three-phase (for 1/2HP 380V 50Hz):** Connect three phase power supply to terminals L1, L2 and L3 on three- pole power terminal strip.

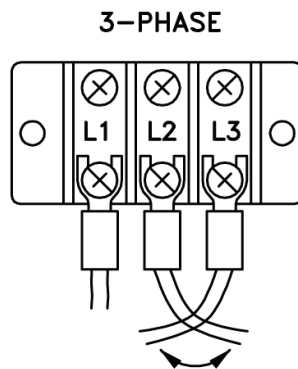


CONTROL WIRING: Use 7/8" (2.22 cm) diameter holes for all control wiring.

NOTE: Do not run control wires and power wires in same conduit.

- Install control station within clear sight of door but away from all moving parts of door or hardware. Install Entrapment warning sign next to control station. Connect 3-button (open/close/stop) push button station to terminals 2, 3, 4 and 5. Refer to electrical diagram for connection of two 3-button stations.

NOTE: After electrical connections are made, manually move door to mid-position and, using the control station press the "Open" button for several seconds and then press the "Stop" button. If door did not move in correct direction verify wiring control station. For 3-phase (380V 50Hz) operators, if door still moves in wrong direction reverse any two of the three incoming power supply leads to correct rotation.



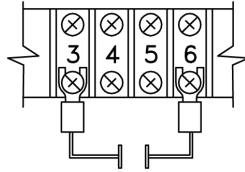
Limit Switch Adjustment

- Adjust Limit switches as explained in the "Limit switch adjustment section" further in this manual.

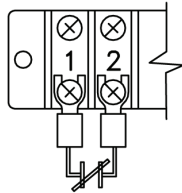
Connection of a Reversing Edge Device and Control Accessories

- Reversing Edge device (must be normally open contact):**

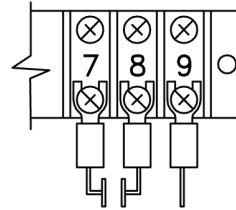
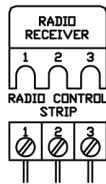
NOTE: If the door is controlled by any device or wired in such a manner that the door is not controlled by constant pressure on close then an appropriate reversing edge must be installed.



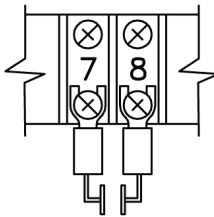
- External interlock: Remove Jumper between terminals 1 and 2 and wire a N.C. interlock contact between these two terminals.**



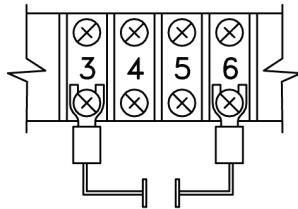
- Radio control receiver: Wire standard radio receiver to separate radio strip on side of control box or to terminals 7, 8 and 9 on control terminal strip inside control box.**



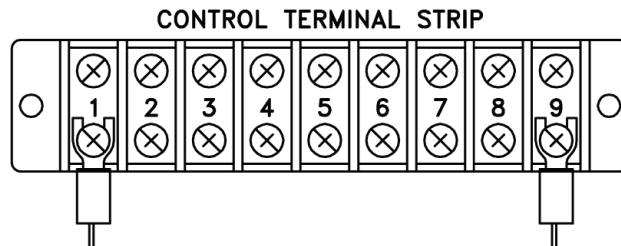
- Single button open/close device: Wire to terminals 7 and 8 on control terminal strip.**



- Loop detectors, standard photocells (with a N.O. contact) and other reversing devices: Wire to terminals 3 and 6 on control terminal strip.**



- 24 Volt power: Wire to terminals 1 and 9 on control terminal strip**



Connection of Power Supply and Control Station

Operator Electrical Connections and Start-up Instructions

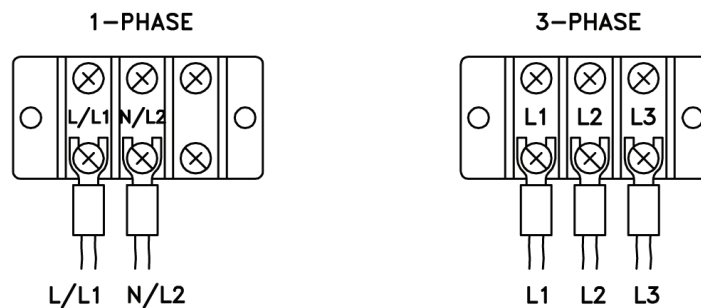
NOTE: THIS OPERATOR COMES WITH AN INTERFACE MODULE INTEGRATED INTO THE CONTROL CIRCUIT. THE PURPOSE OF THE INTERFACE MODULE IS TO ALLOW FOR FAILSAFE MONITORING OF A NICE COMPATIBLE SAFETY DEVICE AS PER UL 325 (2010) REQUIREMENTS.

Important: Follow these steps carefully and in the order shown:

1) Connect Power supply

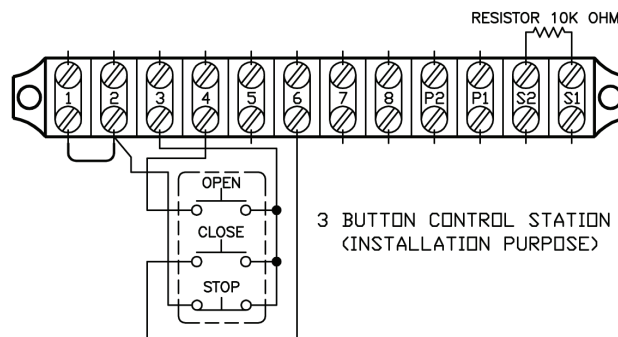
Single Phase: Connect single phase power supply to terminals L/L1 and N/L2 on the 3-pole power terminals strip.

3-phase: Connect 3-phase power supply to terminals L1, L2 and L3 on the 3-pole power terminal strip.



2) Connect Push-button station for installation purposes (single phase or 3-phase)

Connect open/close/stop push button station to terminals T2 (stop), T3 (common), T4 (open) and T6 (temporary CP on close).

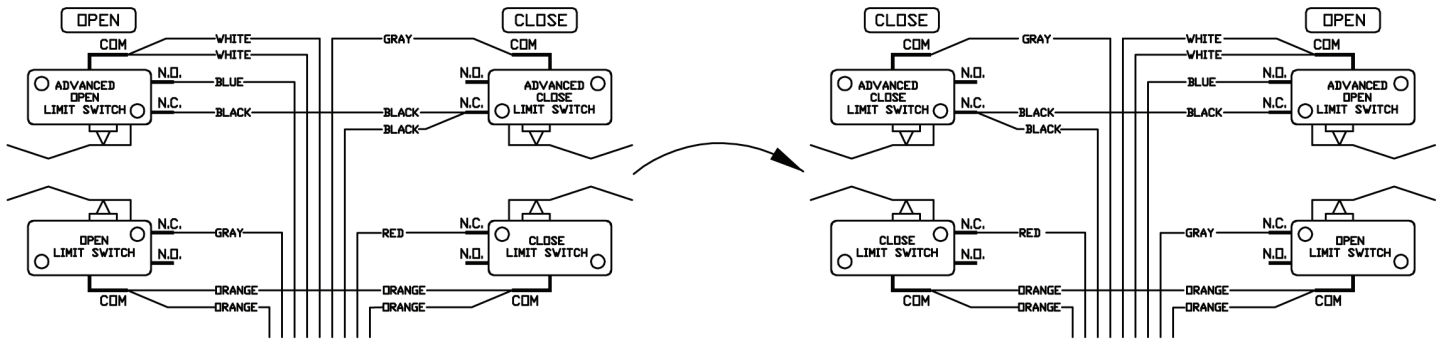


3) Verify Motor Direction

After the electrical power connections are made and push button station is connected, manually move the door to mid-position. Press Close button for several seconds and then press stop button. If door did not move in correct direction (or if limit cams not moving in correct direction towards the close limit switch) see below:

Single Phase Operators: The operators leave the factory with correct motor and limit shaft direction according to standard door installations. However, for special fire door, thru-wall mounting or other special door applications, the motor direction and limit switch direction may need to be reversed. To reverse the motor rotation, interchange black and white wires going to motor on the reversing contactor.

3-Phase Operators: If door moves in wrong direction, turn off incoming power and reverse any two of the three incoming power supply leads to correct rotation. Press the open button and then activate the open limit to ensure door stops. If door does not stop, interchange gray and red wires on open and close limits. Interchange white and gray wires on advanced open and advanced close limits. Remove blue wire from advanced open limit and place it on N.O. pin of advanced close limit. Remove blue wire from advanced open limit and place it on N.O. pin of advanced close limit.



4) Adjust Limit Switch Cams

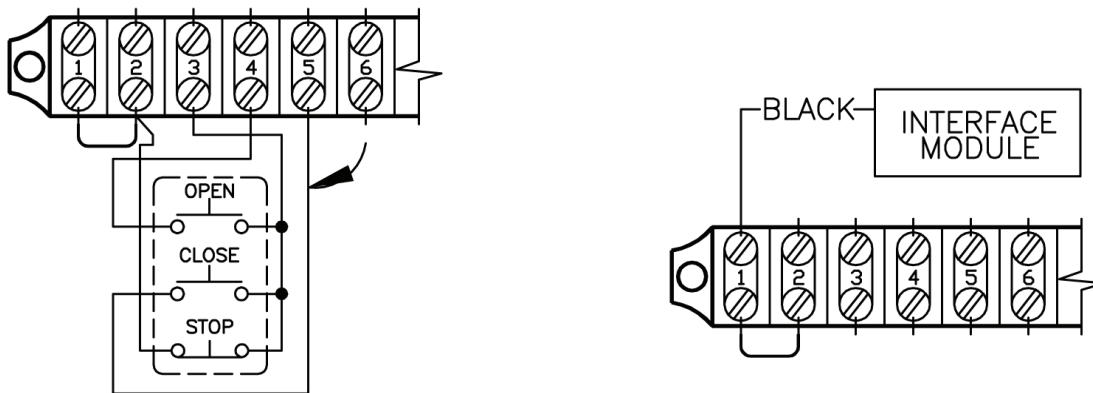
Using the open/close/stop push button station move door to fully closed and fully open positions and set limit cams to correct position. (See Limit adjustment section C further in this manual for complete detail on the end of travel limit adjustments).

5) Activate Interface Module

After adjusting the open and close limits and verifying the motor rotation, open the door to the full-open position using the open push button (Figure below on left).

At this point the close pushbutton wire must now be moved from terminal T6 to T5. Now connect the black wire (with blue label) to terminal T1 as shown in figure below on right.

NOTE: Ensure the door is in the full open position before connecting the black wire. If door is not in full open position and monitored photo-eyes or safety edge are not connected and operational then door will immediately move in the open direction.



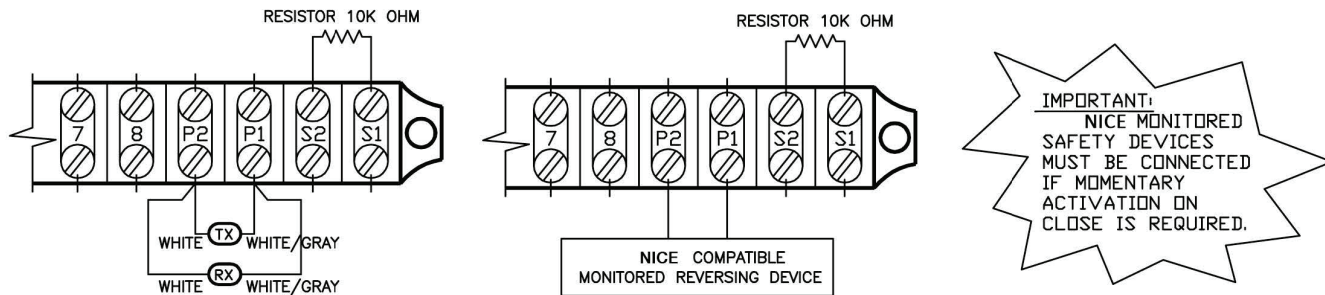
6) Connect Safety Devices

Failsafe Feature: A monitored failsafe safety feature is built into the operator. The operator has provisions to connect one primary monitored safety device as well as one or more non-monitored safety device(s).

Primary monitored safety device: Nice monitored failsafe photo beams or Nice compatible monitored failsafe devices must be connected to terminals P1 and P2 if momentary close on pushbutton is required (B2 mode). If not connected, door can only be closed by constant pressure on close pushbutton. If constant pressure on close pushbutton is removed before door reaches full closed position, then door reverses to full open.

NOTE: Only one monitored failsafe safety device can be connected across terminals P1 and P2.

NOTE: See section E for complete installation instructions for the Nice N-1 or the Fraba photocells.



Secondary Non-Monitored Safety Device(s):

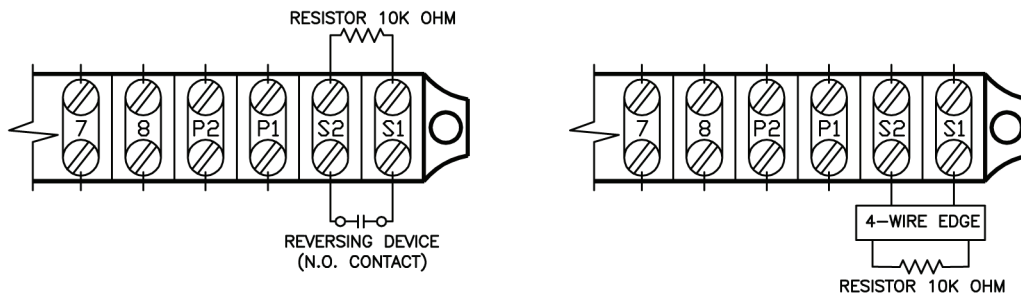
A standard 2-wire safety edge, non-monitored reflective or thru-beam photo eye or any other non-monitored reversing devices with a N.O dry contact can be connected to terminals S1 and S2.

NOTE: More than one secondary non-monitored safety device can be connected to terminals S1 and S2.

IMPORTANT: Do not remove resistor that is factory installed across terminals S1 and S2 unless installing a 4-wire electric edge.

4-Wire Electric Edge Connection

A standard 4-wire electric edge can be connected across S1 and S2 terminals as a secondary safety device. Remove the factory installed resistor across terminals S1 and S2, and install resistor across the black and white pair of wires from the electric edge and connect the remaining black and white wire to the S1 and S2 terminals.



7) Select Mode of Operation

C2 mode of operation (momentary on open, constant pressure on close):

The operator is wired at the factory for momentary on open and constant pressure on close. For single phase limited duty operators, the purple wire is left unconnected. For 3-phase (1/2HP 380V 50Hz) operators, white wire is connected to terminal T6.

B2 mode of operation (momentary on open, momentary on close):

If momentary on close is required: For single phase limited duty operators, connect purple wire to terminal #5. For 3-phase (1/2HP 380V 50Hz) operators, remove the white wire from terminal T6 and place it on terminal T3.

The operator functions in B2 mode only when the primary monitored safety device is connected and functioning properly. If it is not connected, operator will go into fault mode and door can only be closed by constant pressure on close and if constant pressure on close is removed before door reaches full close position, door reverses to full open.

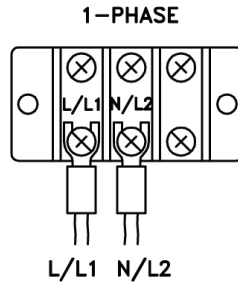
SECTION C: PRO-LJ(E), PRO-LH(E) Limited Duty Smart 5.0 Logic Board

NOTE: The operator is shipped from the factory in the C2 mode (constant pressure close and momentary open). The operator should remain in this mode until all connections and limit switch adjustments are completed.

Power Wiring Instructions

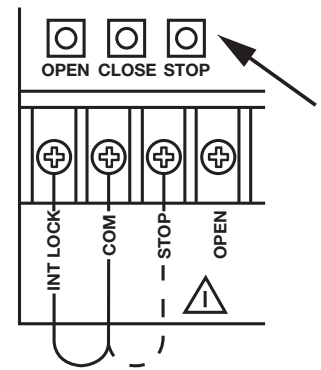
Connect primary power supply directly to the separate power terminal strip supplied using any of the 1-1/8" (2.85 cm) diameter holes provided on control box. Do not connect power supply directly to the circuit board.

Connect single-phase power supply to terminals L/L1 and N/L2 on three-pole power terminal strip (110V or 220V 1-phase).



On Board O/C/S PBS Instructions

On-board Open, Close and Stop buttons are provided directly on the board for installation and troubleshooting purposes. In order to operate unit by on-board Open, Close, Stop buttons, the factory installed jumper (#1) between the COM and STOP terminals on the terminal strip must remain connected.



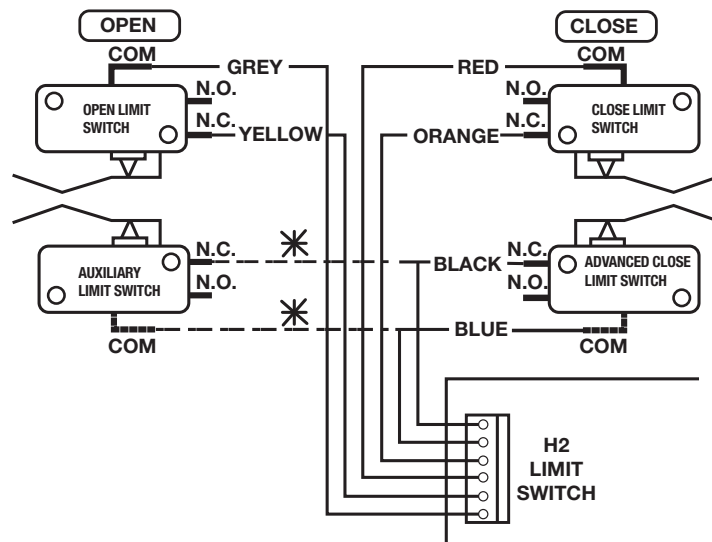
Motor Direction Verification

Make sure the mode of operation is selected to C2.

After electrical power connections are made, manually move door to mid-position. Using the on-board buttons press the "Open" button for several seconds and then press the "Stop" button. If door did not move in correct direction (or if limit cams not moving in correct direction towards the open limit switch) see below:

The operators leave the factory with correct motor and limit shaft direction according to standard door installations. However, for special fire door, through wall mounting or other special door applications, the motor direction and limit switch direction may need to be reversed. To reverse motor rotation, interchange red and yellow wires on the capacitor and interchange the wires on open and close limits. Disconnect the 2 wires from the advanced closed limit switch and reconnect to the auxiliary limit switch provided.

NOTE: Ensure that when the on-board open button is depressed and the door moves in the correct open direction that activation of the open limit stops the door.



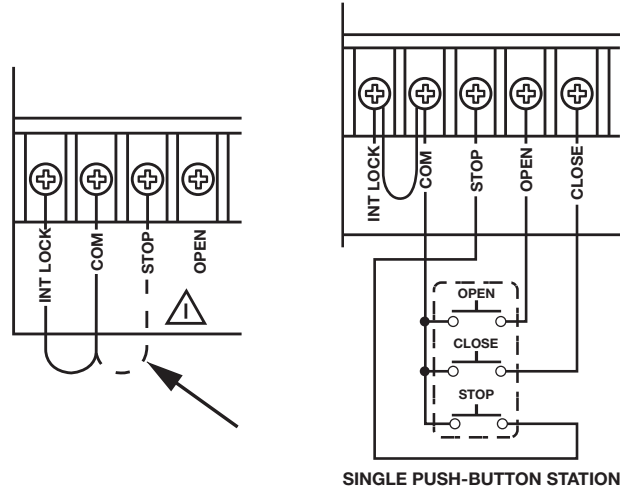
Limit Switch Adjustments

Once the motor rotation and limit cam direction have been verified, adjust the limit cam settings. Refer to operator installation manual for complete limit switch adjustment instructions.

Connection of External O/C/S PBS

Connect O/C/S PBS as shown in diagram.

NOTE: Jumper #1 must be removed after the external O/C/S PBS has been installed.



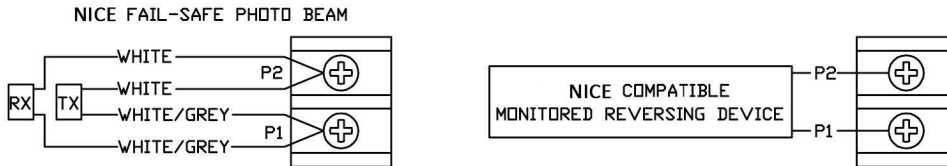
Failsafe Feature

A safety device failsafe feature is built into the logic board. The logic board has provisions to connect one primary monitored safety device as well as 1 or more secondary non-monitored safety device(s).

Primary monitored safety device

Nice monitored failsafe photo beams or Nice compatible monitored failsafe devices must be connected to terminals P1 and P2 as primary monitored safety device. Primary monitored safety device must be connected if momentary activation on close is required in B2, T and TS modes. If it is not connected in B2 and TS modes. If it is not connected in B2 or TS modes, door can only be closed by constant pressure on close and if constant pressure is removed before door reaches full close position, door reverses to full open.

NOTE: Only one monitored failsafe device can be connected to terminals P1 and P2.



Secondary Non-Monitored Safety Device(s):

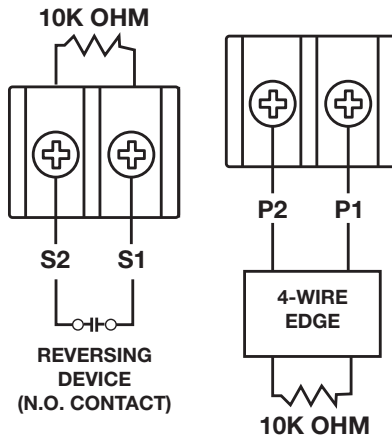
A standard 2-wire safety edge, non-monitored photo beams or any other non-monitored reversing devices with a N.O contact can be connected to terminals S1 and S2 as secondary non-monitored safety device.

NOTE: More than one secondary non-monitored safety device can be connected to terminals S1 and S2.

IMPORTANT: Do not remove the resistor that is factory installed across terminals S1 and S2 unless installing a 4-wire electric edge.

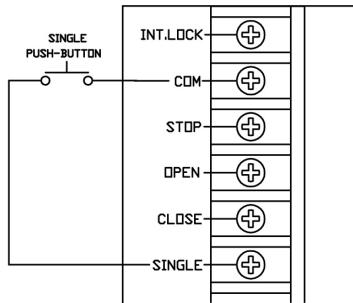
4-wire electric edge:

A standard 4-wire electric edge can be connected across S1 and S2 terminals as a secondary safety device. Remove the factory-installed resistor across terminals S1 and S2 when using a 4-wire electric edge.



Connection of External Single-Button Device

Connect an external single-button as shown in diagram. Please refer to “Modes of Operation” for the functionality of single-button.



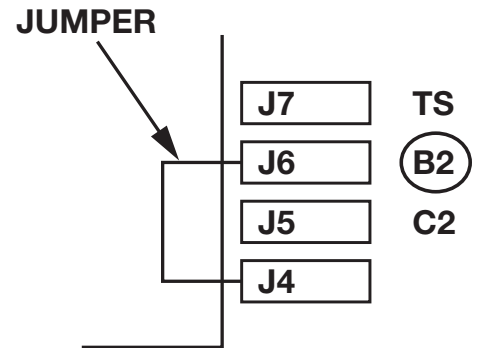
GENERAL INFORMATION: Auxiliary device may be installed to edge terminals, open or close button terminals, and single button terminals providing that they are of the NORMALLY OPEN DRY CONTACT TYPE.

Modes of Operation

All operators leave the factory in the C2 mode setting. Please read all modes of operation and determine which operational mode is desired.

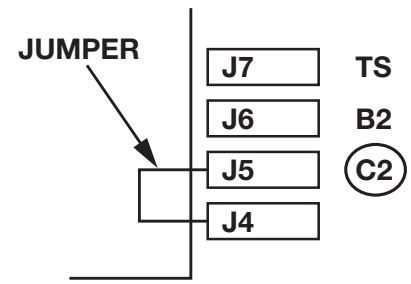
B2 (Momentary on open and close):

- **Open Button:** Momentary activation opens the door. When door is closing, momentary activation reverses the door (OPEN OVERRIDE).
- **Close Button:** Momentary on close.
- **Stop Button:** Momentary activation stops the door.
- **Single button device and external radio control:** Open/Close/Reverse.
- **Safety Devices:** When door is closing, momentary activation reverses the door.
- **Timer to Close:** N/A



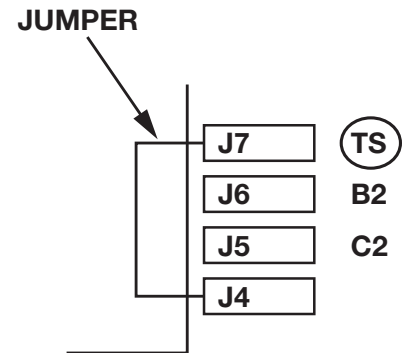
C2 (Momentary open, constant pressure close):

- **Open Button:** Momentary activation opens the door. When door is closing, momentary activation reverses the door (OPEN OVERRIDE).
- **Close Button:** Constant pressure on close. Door will stop when button is released
- **Stop Button:** Momentary activation stops the door.
- **Single Button device:** Open/Stop/Constant pressure on close/stop.
- **External radio receiver:** Momentary activation opens the door (Cannot close the door).
- **Safety Devices:** When door is closing, momentary activation reverses the door.
- **Timer to Close:** N/A



TS: (Momentary on open and close, timer to close secure, STOP BUTTON DISABLES TIMER)

- **Open Button:** Momentary activation opens the door. When door is closing, momentary activation reverses the door. Momentary contact at full-open position re-activates the timer if timer has been disabled previously by stop button.
- **Close Button:** Momentary on close.
- **Stop Button:** If door is opening or closing, momentary activation stops the door. Momentary activation while timer is counting at full open deactivates the timer.
- **Single button and external radio:** Open/Reverse/Refresh timer.
- **Safety Devices:** When door is closing, momentary activation reverses the door. Momentary activation when door is at full open refreshes the timer to close.
- **Timer to Close:** Closes the door from full open. Momentary activation of stop button will deactivate the timer. Timer resumes its normal operation upon momentary activation of open push button or once the close cycle is completed.



Timer to Close Setup

Timer to close is enabled only in TS mode of operation. There are 3LED lights on the board to indicate the timer to close value. Default setting of timer to close is 3 seconds. To modify this value, press “TIMER PROGRAM” button until desired value is reached. The LED status changes when the “TIMER PROGRAM” button is pressed each time. The following chart correlates the LED lights status to the timer to close value.

3	2	1	LED
○	○	○	3 Sec.
○	○	●	10 Sec.
○	●	○	30 Sec.
○	●	●	1 Min.
●	○	○	2 Min.
●	○	●	3 Min.
●	●	○	4 Min.
●	●	●	5 Min.
3	2	1	
⊗	⊗	⊗	
SW4		Timer Program	

Status LED

LED	Status	Cause
Fault	ON	Safety devices not connected or functioning properly
Power	ON	24VAC power to logic board is on

SECTION D: For all Operator Control Types

Limit Switch Adjustment

Adjustment of door travel is done by moving the limit cams on the threaded shaft. The position of the 4 limit switches are factory adjusted and should not be altered. The limit switches are:

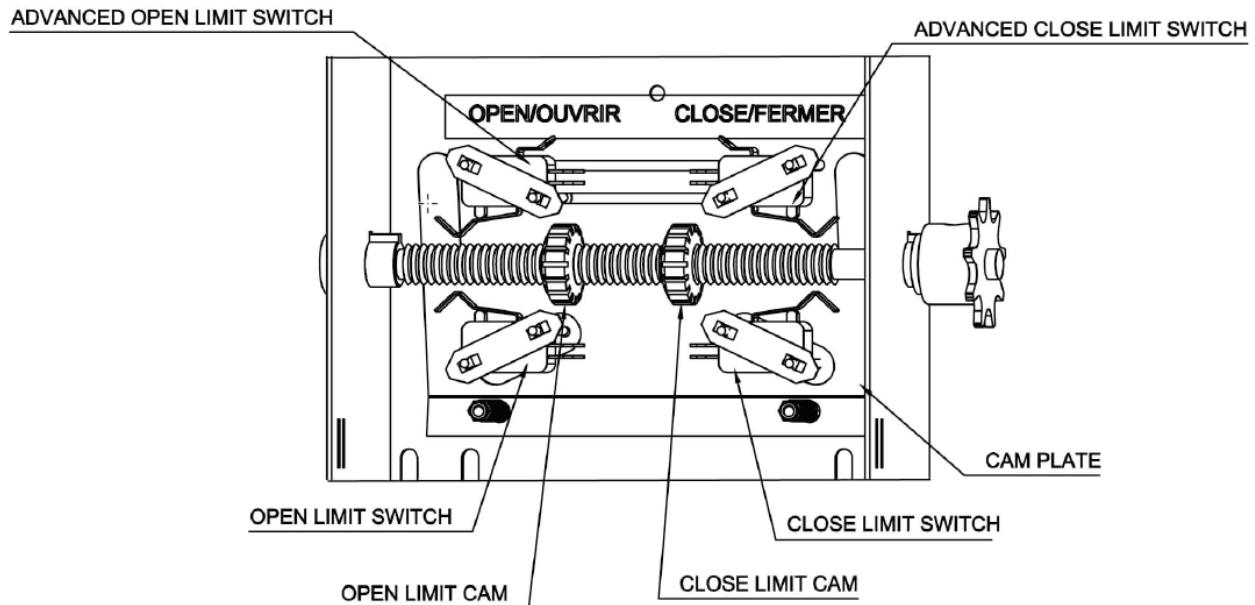
- “Open” limit switch: End of door travel in the fully open position
- “Closed” limit switch: End of door travel in the fully closed position
- “Advanced Open” or “Auxiliary advanced closed” limit switch: Used for open/close devices or timer to close features.
- “Advanced Closed” Limit switch: Used to prevent reversing device from reversing door when door is almost fully closed.

⚠ WARNING ⚠

TO REDUCE THE RISK OF INJURY OR DEATH: DO NOT ATTEMPT TO MAKE LIMIT SWITCH ADJUSTMENTS UNLESS POWER HAS BEEN ELECTRICALLY DISCONNECTED.

To adjust door travel:

1. **Open cycle:** Depress cam plate and spin “Open” limit cam away from “Open” limit switch to increase door travel or spin “Open” limit cam towards the “Open” limit switch to decrease door travel. After each adjustment ensure that cam plate fully engages in slots of both limit nuts.
2. Adjust “Open” limit cam so that door stops at the desired fully open position.
3. **Close cycle:** Depress cam plate and spin “Close” limit cam away from “Close” limit switch to increase door travel or spin “Close” limit cam towards the “Close” limit switch to decrease door travel. After each adjustment ensure that cam plate fully engages in slots of both limit nuts.
4. Adjust “Close” limit cam so that door stops at the desired fully closed position.



SECTION E: For Operators with Interface Modules or Logic boards

Installation of Nice N-1 or N-4 Photocells

Installation Safety Precautions

⚠ WARNING ⚠

Nice MK00649 NEMA-1 and FRABA MK00697 NEMA 4/4X infrared photo systems are for use only with Nice logic board operators or relay logic operators equipped with the Nice failsafe interface module. Use of this device on other than recommended operators can lead to severe or fatal injury. Follow these instructions carefully.

IMPORTANT

For momentary activation on close, the Nice photobeams (or a Nice 2-wire monitored edge), must be installed as part of the operator system. If a Nice 2-wire monitored edge or the Nice infrared photobeam system is not installed (or not operating correctly), the operator will only operate in fault mode “constant pressure to close”.

READ and FOLLOW all installation instructions.

1. Before installing the photo beam, read the door or gate operator’s instruction manual fully, so you are aware of all of the unit’s functions and features.
2. Wear protective gloves and eye protection when using tools.
3. Before installing photo beam, disconnect all power to door operator to prevent unintended operation and have the door full open or close.
4. Do not reconnect power to the door or gate operator until instructed to do so.
5. Only install photobeams on a properly functioning door or gate operator.
6. Installation and wiring must comply with local building and electrical codes. This device is not intended and must not be installed in an explosive environment.

⚠ WARNING ⚠

Keep fingers and other body parts away from all moving parts of the door and gate operator system while the system is being operated.

⚠ WARNING ⚠

To prevent unintended operation, disconnect power to the door or gate operator prior to installing the photobeam system.

NICE N-1 Photocell (MK00649)

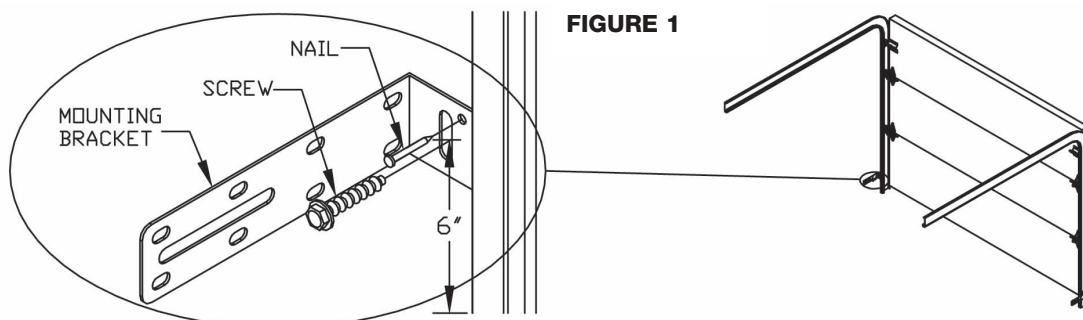
NOTE: The MK00649 photocell system has a maximum range of 24 ft. Sun visor protector optional.

Installation

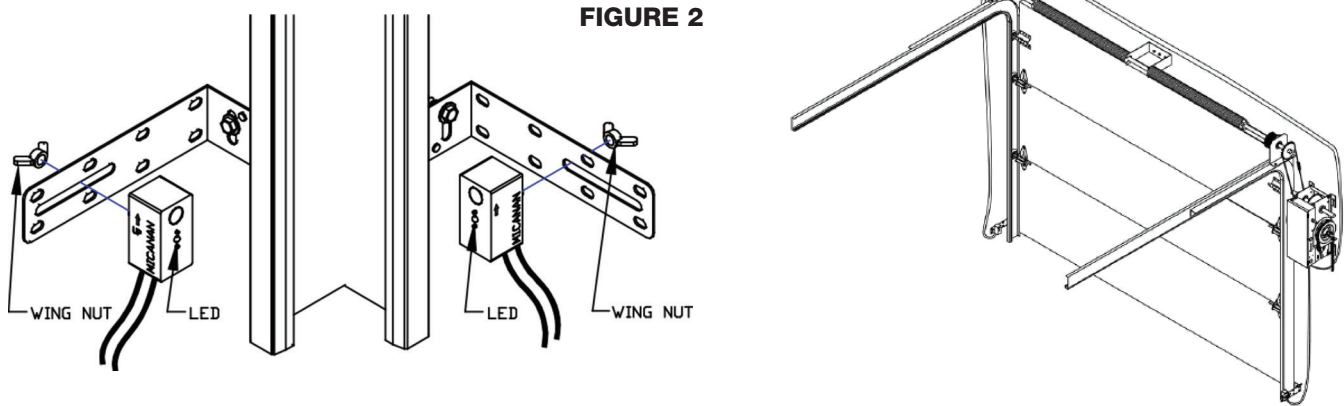
NOTE: Photo beams should be mounted as close to the door track inside the door to offer maximum entrapment protection.

Wall Installation:

1. Select a location on the wall no more than 6 inches from the floor to install wall mounting brackets on the left and right side of the door. Both brackets must be mounted at the same height for proper alignment.
2. Drill holes in the wall and attach brackets to the wall using screws and nails provided as shown in Figure 1.

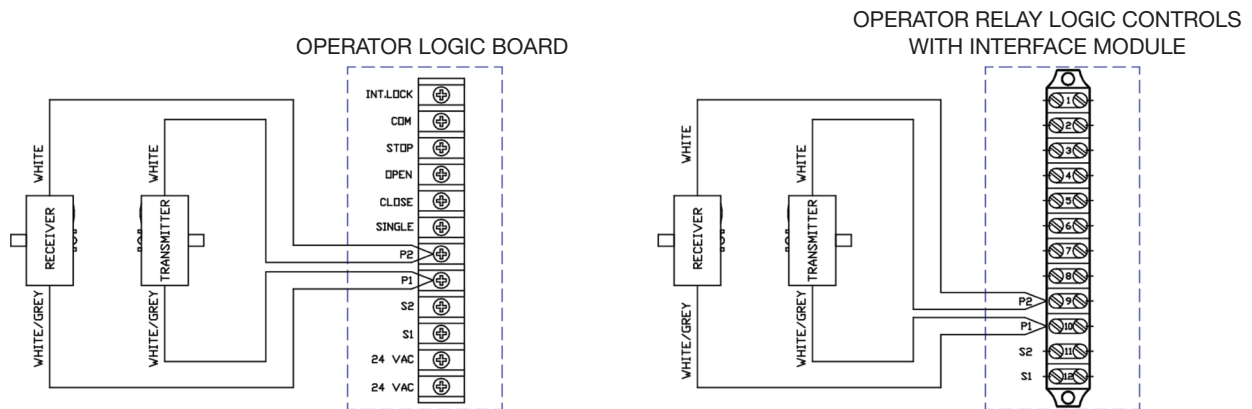


- Using the wing nuts, attach the receiver and transmitter of the photo system to the mounting brackets (with arrow pointing up). Note that the receiver and transmitter can be installed on the left side or right side of the door.
- Adjust the position of the transmitter and receiver on the slot of the brackets. Secure the receiver and transmitter to the mounting brackets as shown in Figure 2.



- Pair the two white wires and the two white/gray wires together from transmitter and receiver.
- Connect these paired wires to the P1 and P2 terminals on the logic board (or interface module if applicable) as shown in Figure 3.

FIGURE 3



NICE N-4 Photocell (MK00650)

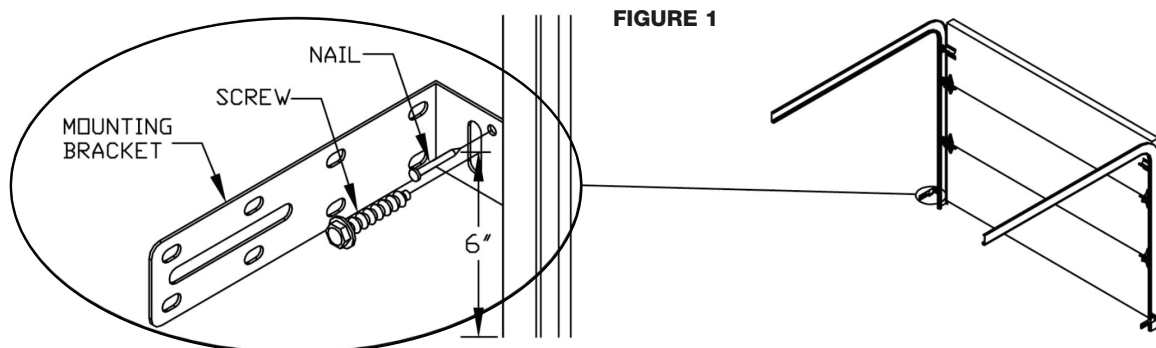
NOTE: The MK00650 photocell system has a maximum range of 24 ft. Sun visor protector optional.

Installation

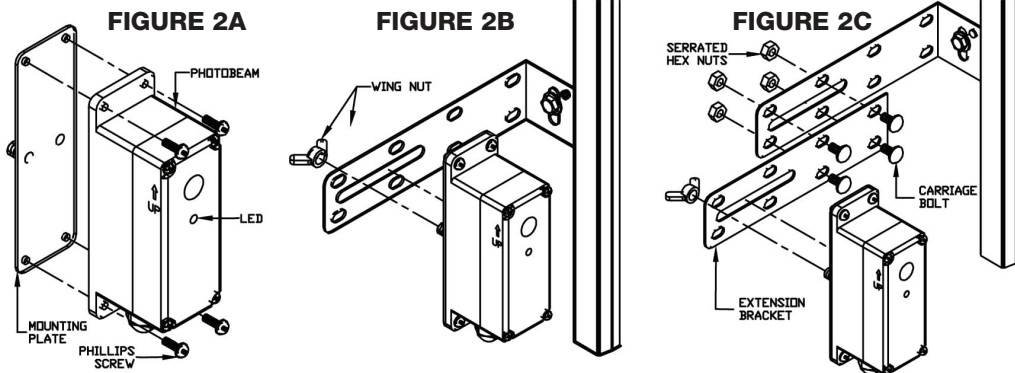
NOTE: Photo beams should be mounted as close to the door track inside the door to offer maximum entrapment protection.

Wall installation

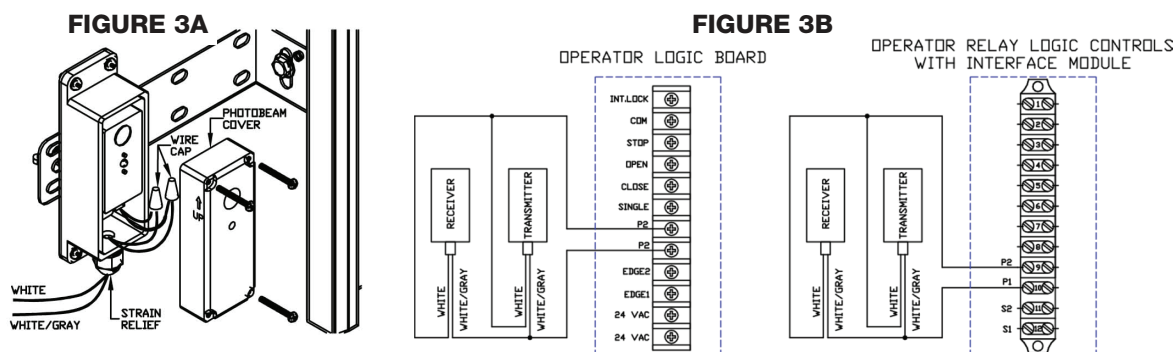
- Select a location on the wall no more than 6 inches from the floor to install wall mounting brackets on the left and right side of the door. Both brackets must be mounted at the same height for proper alignment.
- Drill holes in the wall and attach brackets to the wall using screws and nails provided as shown in Figure 1, page 24.



- Using the 8 Phillips head screws, attach the receiver and the transmitter to the two mounting plates (Fig 2A).
- Using the wing nuts, attach the receiver and the transmitter of the photo system to the mounting L-brackets (with arrow pointing up) as shown in Fig 2B. Note that the receiver and transmitter can be installed on the left or right side of the door. For applications requiring the photobeams to be further away from the wall, use the extension brackets provided as shown in Fig 2C.



- Adjust the position of the transmitter and receiver on the slot of the brackets and tightly secure the wing nuts.
- Loosen the 4 fastening screws and remove the cover from the photobeam transmitter and receiver housings and insert electrical wire through the strain relief (Fig 3A). Pair the two white/gray wires together from transmitter and receiver.
- Connect these paired wires to the P1 and P2 terminals on the logic board (or interface module if applicable) as shown in Fig 3B. Use minimum 18 gauge wires and secure the wires to wall or ceiling.



For Nice Nema-1 and Nema-4 photobeams

Aligning the photo beams:

- Turn the power on to the operator. If the transmitter and receiver are installed properly, the lights on both the transmitter (red LED) and receiver (green LED) will be ON.
- If the photo beams are not aligned properly, the receiver light (green) is OFF. Adjust the position of the transmitter and/or the receiver on the slot of the mounting bracket until the light on the receiver is ON and then secure to the bracket.

Photo system operation:

Nice photo beams must be connected for the door to close in momentary mode (unless a Nice monitored 2-wire edge is connected). When the photo system is properly installed and aligned, the infrared beam will detect any obstruction in the path of the beam. Upon detecting an obstruction, closing door will stop and reverse to full open.

The Nice operator control circuit continuously monitors the correct operation of the photo system. If the photo beams are not connected or not functioning properly, the operator will go into fail-safe mode and closing door will reverse to full open. In fail-safe mode door can only be closed by constant pressure on close.

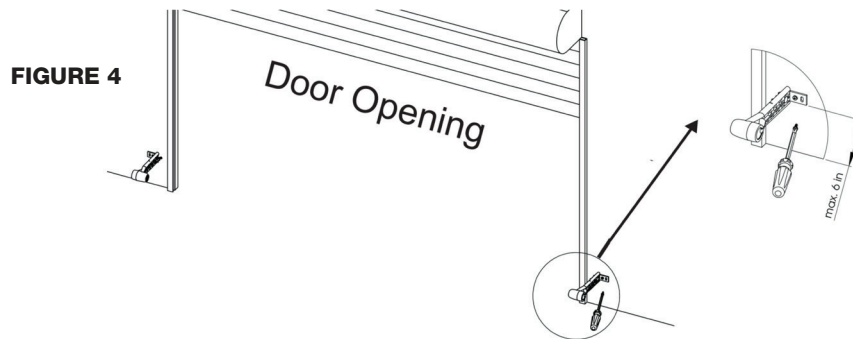
To test the photo system:

- Open the door to full open position.
- Close the door.
- When door is closing, obstruct the beam. The door should stop and reverse.

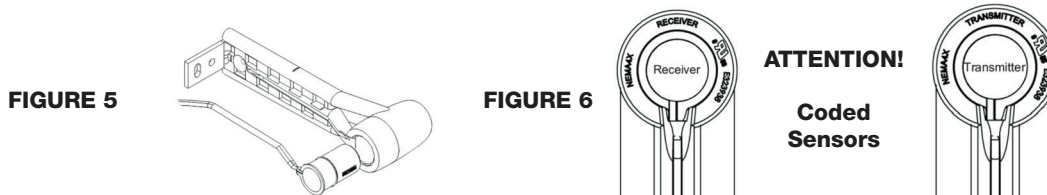
FRABA N-4/4X Thru-Beam Photocell (MK00697)

NOTE: The MK00697 photocell system has a maximum range of 45 ft. Sun Visor protector (optional).

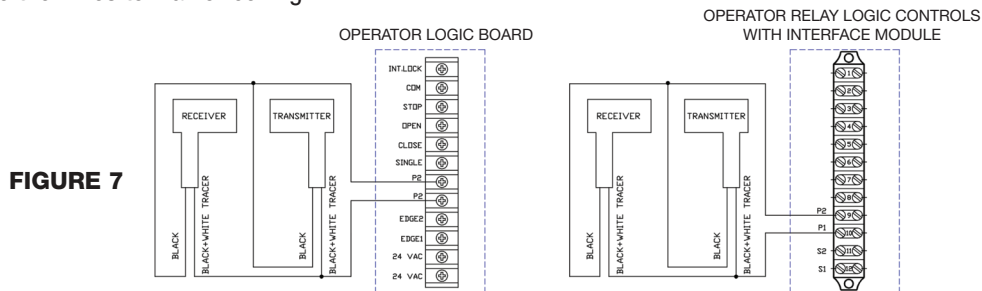
1. Select a location on the wall no more than 6 inches from the floor to install wall mounting brackets on the left and right side of the door. Both brackets must be mounted at the same height for proper alignment.
2. Drill holes in the wall and attach brackets to the wall using screws provided as shown in Figure 4.



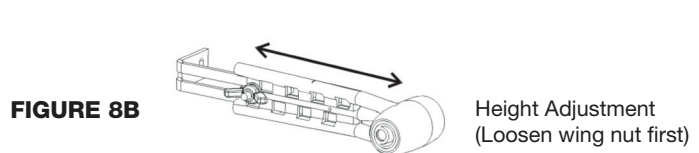
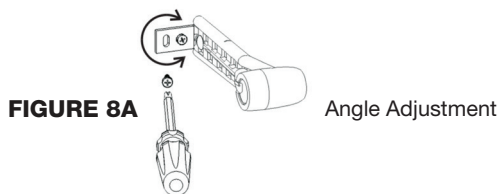
3. Plug sensors into flexible adapters as shown in Figure 5. Please note that the 2 brackets are not identical. The receiver (Rx) must be installed into the receiver adapter and the transmitter (Tx) must be installed into the transmitter adapter (Figure 6).



4. Pair the two black and the two black with white tracer wires together from transmitter and receiver. Connect these paired wires to the P1 and P2 terminals on the logic board (or interface module if applicable) as shown in Figure 7. Use minimum 18 gauge wires and secure the wires to wall or ceiling.



5. Turn the power on to the operator. Align transmitter and receiver by adjusting angle and height of the fixture (Figures 8A and 8B).



6. Utilize LEDs on photocells for alignment and trouble shooting. Make sure to tighten screws and wing nuts after photocells are aligned.
 - Red LED (ON), Green LED (ON): Normal operation
 - Red LED (ON), Green LED (OFF): No power. Verify wiring
 - Red LED (Blinking twice), Green LED (ON): Bad Alignment, or Obstructed Beam, or Rx defective
 - Red LED (Blinking twice), Green LED (OFF): Check power and wiring to Rx, or Rx defective
 - Red LED (Blinking three times), Green LED (ON): Rx receiving sunlight (or interference). Install visor or interchange position of transmitter and receiver to reduce sunlight affecting receiver.

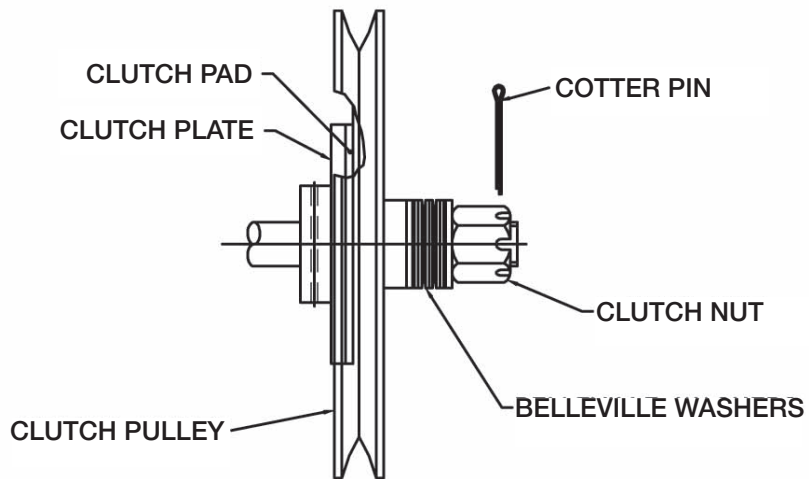
To test the photo system: Open the door to full open position. Close the door. When door is closing, obstruct the beam. The door should stop and reverse.

Clutch Adjustment

1. Remove cotter pin tapped to pulley.
2. Rotate clutch nut counterclockwise (loosen) until there is insufficient tension to permit clutch to drive door.
3. Gradually tighten clutch nut until the tension on belleville washers is sufficient to permit clutch to drive door smoothly but will allow clutch to slip if door is obstructed. It should be possible to stop moving door by hand if clutch is properly adjusted.
4. Lock clutch nut in place by inserting cotter pin into one of the two adjustment holes provided.

CAUTION: Do not over-tighten the clutch as this will cause damage to the washers and create adjustment problems

5. Tighten the 2 set screws after each time the unit is tested for clutch adjustment. After adjustment is completed make sure set screws are locked in place. Re-install clutch cover.



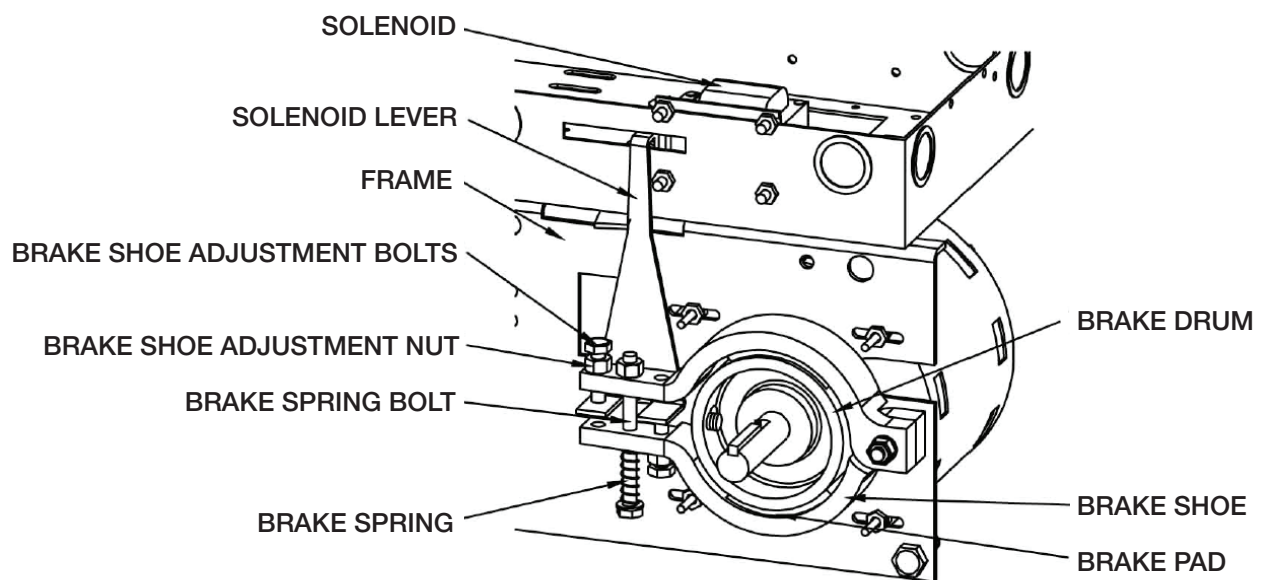
Break Adjustment

The brake adjustment is factory set and should only require minor adjustment after extensive use.

Verify brake adjustment by manually holding in solenoid plunger. When brake is properly adjusted, the brake shoe pads should make complete contact with brake drum with sufficient brake spring tension to stop and maintain door when solenoid is de-energized. When solenoid is energized, brake shoes should release from drum with sufficient clearance to avoid contact between shoes and drum.

To adjust brake tension, tighten (to increase) or loosen (to decrease) nylon lock nut on brake spring bolt. Observe solenoid during electrical testing of brake. Brake spring tension must be adjusted so that solenoid should pull and release smoothly and quietly. Too much or too little tension on brake spring may cause solenoid to burn out.

To adjust individual brake shoes, loosen nut on brake shoe adjustment bolt and adjust bolt. When properly adjusted, there should be a small clearance between adjustment bolt and solenoid bracket when solenoid is de-energized. When solenoid is energized, brake shoes should move away from drum with sufficient clearance to avoid friction between brake shoe pad and drum. After adjustments are made be sure to tighten nuts on brake shoe adjustment bolts.



Emergency Manual Operation

- The PRO-LJ and PRO-LH operators are equipped with an emergency disconnect device with interlocked power cut-out switch to manually operate door in case of emergency. This feature should not be used to manually operate a malfunctioning door.

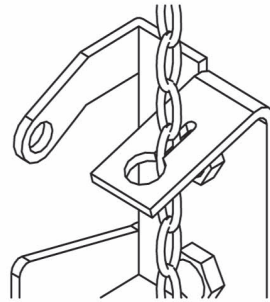
⚠ WARNING ⚠

TO REDUCE THE RISK OF INJURY OR DEATH:

DO NOT ATTEMPT TO USE EMERGENCY DISCONNECT SYSTEM WHILE OPERATOR IS RUNNING.

POWER TO THE OPERATOR SHOULD BE TURNED OFF PRIOR TO OPERATING MANUALLY.

1. If operator is supplied with standard chain keeper: Pull the disconnect chain through the hole of keyhole and lock in place by inserting chain in slot of keyhole.

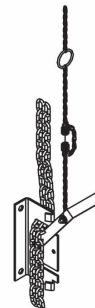


2. If operator is supplied with optional floor level disconnect lever: Pull disconnect lever downwards and lock in place by bending lever around bracket lip as shown.



For PRO-LJ operators: Move door manually. To return to electrical operation release disconnect chain and allow to return to original position.

For PRO-LH operators: Operate door by pulling on hand chain. To return to electrical operation release disconnect chain and allow to return to original position. Lock hand chain in place (to Chain Keeper or Floor Level Disconnect) when not in use.



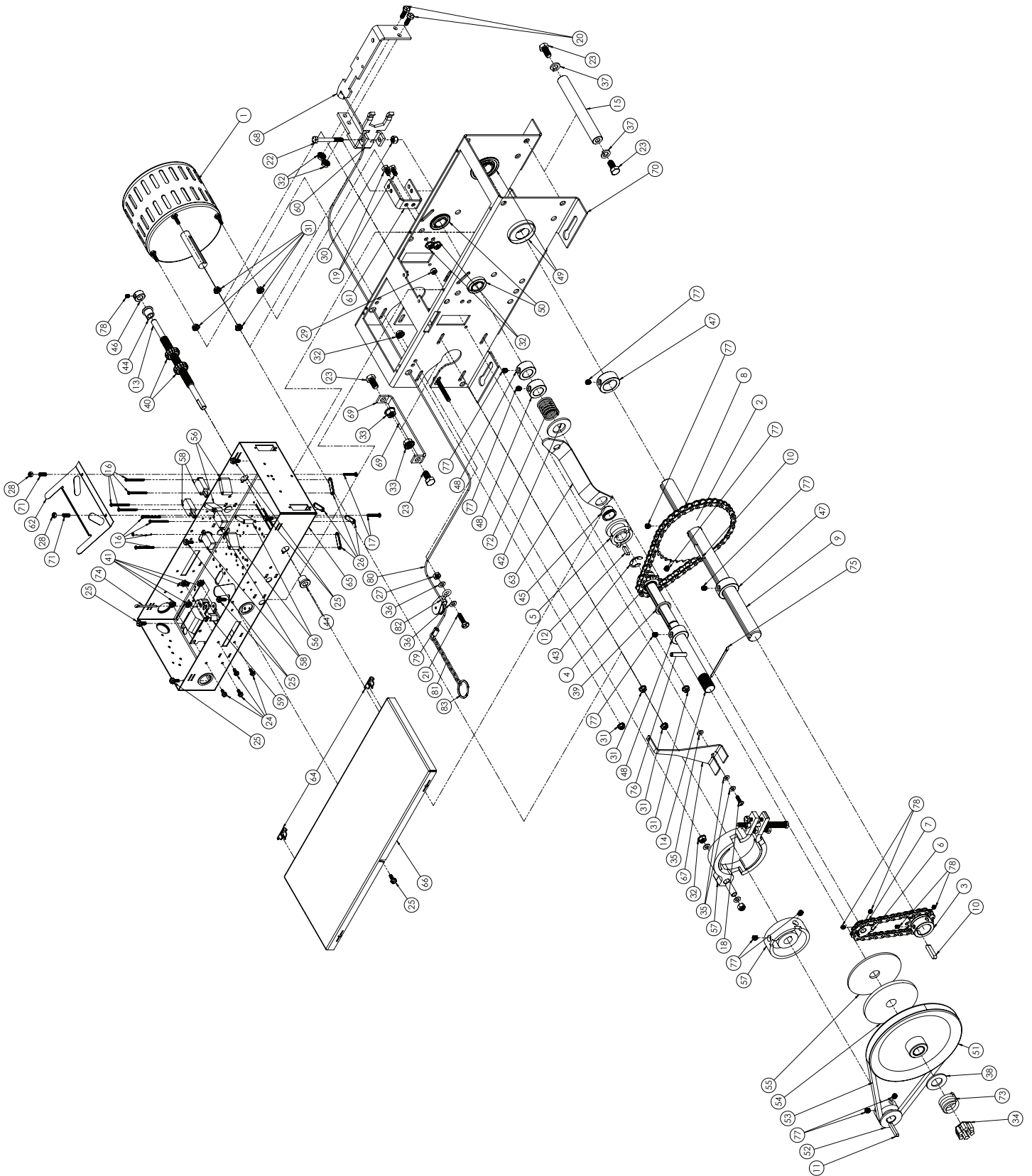
WARNING

TO REDUCE THE RISK OF INJURY OR DEATH:

DO NOT ATTEMPT TO SERVICE THE OPERATOR UNLESS POWER SUPPLY HAS BEEN DISCONNECTED.

- Inspect manual function of the door every 3-months. Make sure that door runs smoothly. If door does not manually open or close freely, have a qualified service person make repairs. Do not attempt to electrically operate a malfunctioning door.
- **Every 3 months:**
 1. Verify that door area is kept clean. Remove any obstructions that would prevent proper door operation.
 2. Check for any excessive slack in chains. If chain adjustment is required verify and adjust limit switches, if necessary.
 3. Verify and adjust clutch and brake (Do not lubricate).
 4. Lubricate chains, bearings and limit shaft.
 5. Verify that motor, solenoid and operator runs smoothly and quietly.
- **Every 6 months:**
 1. Verify tightness of all fasteners and set screws.
 2. Verify that operator is properly secured.
 3. Inspect manual disconnect.
 4. Verify tension and condition of V-belt.
- **Every 12 months:**
 1. Perform a complete service check.
 2. Verify that inside of control box is clean and that grounding wires, terminations and power terminations do not show signs of corrosion.
 3. Verify tightness of all terminal strip screws and electrical connections.
 4. Verify power supply, voltage of input terminals during operation.
 5. Verify that current consumption of operator corresponds to nameplate information

Jackshaft Operator Pro-LJ Parts Diagram

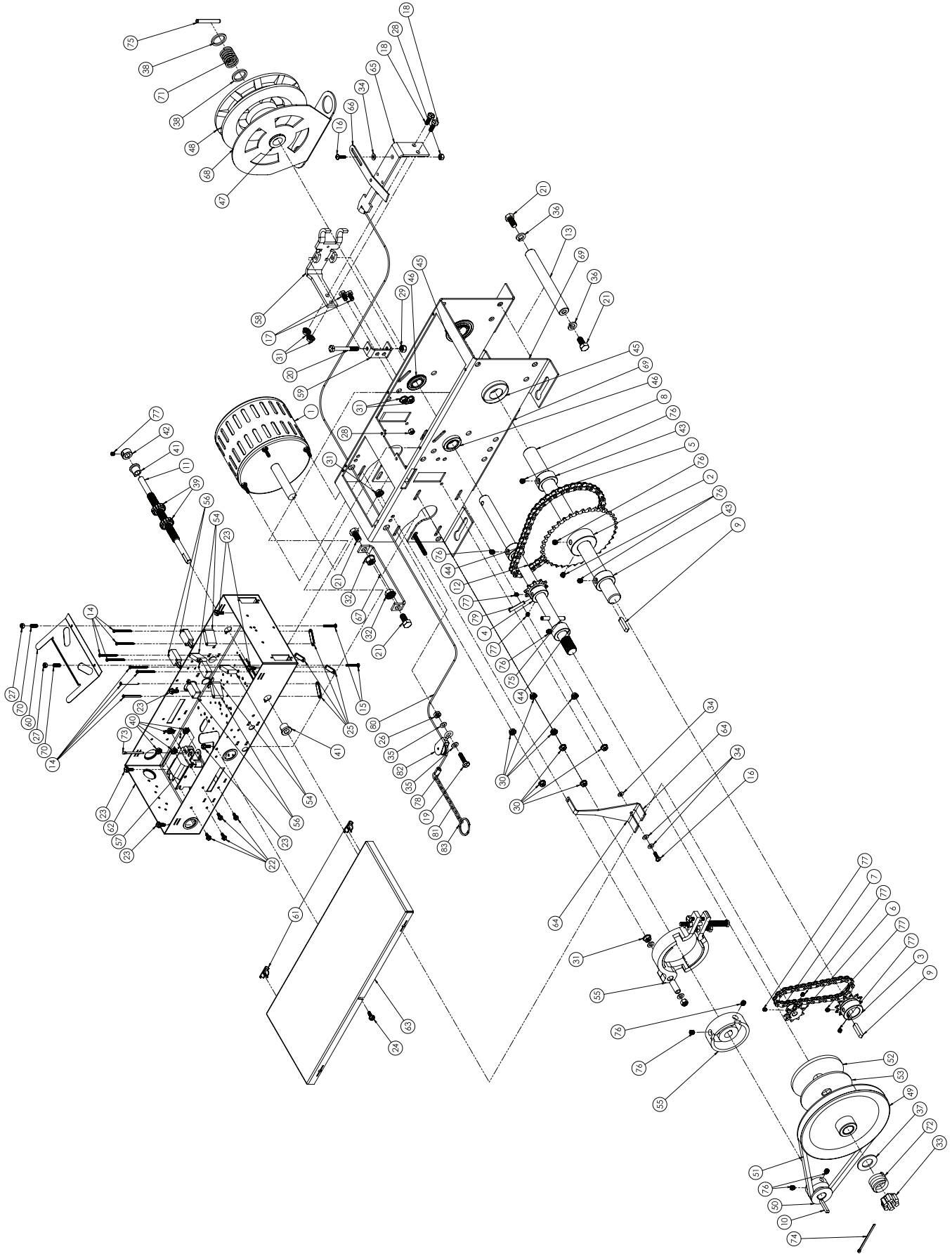


Jackshaft Operator Pro-LJ Parts List

CODE	ARTICLE#	DESCRIPTION (PRO-LJ)	QUANTITY
MB01010	1	0.5 HP Electric Motor	1
MD00003	2	Sprocket 41B36 x 1" Bore 1/4" KW 2SS	1
MD00004	3	Sprocket 410B12 x 1" Bore 1/4" KW (2SS 1/4"-20)	1
MD00009	4	#41 Chain (45 Links C/W Link)	1
MD00026	5	Sprocket 41B10 x 3/4" Bore C/W Bushing and Slot	1
MD00027	6	Disconnect Coupling 3/4 ID	1
MD00111	7	Sprocket 410B9 x 3/8"	1
MD00128	8	#410 Chain (27 Links C/W Link)	1
ME00007	9	Drive Shaft 1" x 15"	1
ME00017	10	Keyway 1/4" SQ x 1-1/4" Long	2
ME00018	11	Keyway 3/16" x 3/16" x 1-1/4" Long	1
ME00019	12	Keyway 3/16" x 3/16" x 3/4" Rounded Ends	1
ME00035	13	Limited Duty Limit Shaft (3/8" - 1/2" x 8.5")	1
ME00038	14	Input Shaft 3/4" x 10.875"	1
ME00050	15	Frame Support Shaft 3/4" x 6"	1
MF00003	16	R.H. Philips Machine Screw 4-40 UNC x 1-1/2"	8
MF00004	17	R.H. Philips Machine Screw 6-32 UNC x 1"	2
MF00005	18	R.H. Philips Machine Screw 10-32UNF x 5/8"	1
MF00006	19	Hex Head Bolt 1/4"-20UNC x 1/2"	2
MF00007	20	Hex Head Bolt 1/4"-20UNC x 3/4"	2
MF00008	21	Hex Head Bolt 1/4"-20UNC x 1"	1
MF00009	22	Hex Head Bolt 1/4" - 20UNC x 2-1/4" (Partial Thread)	1
MF00011	23	Hex Head Bolt 3/8"-16UNC x 3/4" Long	4
MF00045	24	"Hex Head Slotted Self Rounding Washer Head Screw 8-32UNF x 3/8"	4
MF00046	25	"Hex Head Slotted Self Rounding Washer Head Screw 10-32UNF x 1/2"	7
MG00003	26	Double Nut for Lim-Sw	4
MG00006	27	Hex Nut 1/4-20UNC	1
MG00007	28	Hex Nylon Lock Nut 6-32UNC	2
MG00008	29	Hex Nylon Lock Nut 10-32UNF	1
MG00009	30	Hex Nylon Lock Nut 1/4"-20UNC	1
MG00010	31	Ribbed Hex Nut 10-32UNF	8
MG00011	32	Ribbed Hex Nut 1/4"-20	6
MG00013	33	Ribbed Hex Nut 3/8" -16 UNC	2
MG00014	34	Slotted Hex Nut 3/4-24UNF	1
MG00016	35	Flat Washer #10	3
MG00017	36	Flat Washer 0.25 ID x 0.5" OD	2
MG00018	37	Lock Washer for 3/8" Screw	2
MG00019	38	Flat Washer 13/16" ID x 1.5" OD	1
MG00021	39	Flat Washer 7/8" ID x 1-1/8" OD	1
MG00030	40	Limit Cam 1/2"-20UNF	2
MG00036	41	Ribbed Hex Nut #8-32	4
MG00121	42	Flat Washer 15/16" ID x 1-3/4" OD x 1/8" T	1
MG00122	43	C-Clip 5/8" For 3/4" Shaft	1
MH00001	44	T-Bushing 3/8" ID	2
MH00003	45	Bronze Flange Bushing 3/4" ID x 7/8" OD	1
MH00006	46	Collar 3/8" ID - 3/4" OD	1
MH00007	47	Collar 1" ID - 1.5" OD	2
MH00008	48	Collar 3/4" ID - 1.25" OD	3
MH00009	49	Flanged Bearing 1" ID x 2" OD	2
MH00013	50	Flange Bearing 3/4" ID x 1-3/8" OD	2
MI00017	51	Pulley 4L - 7" OD x 3/4" ID	1

CODE	ARTICLE#	DESCRIPTION (PRO-LJ)	QUANTITY
MI00018	52	4L Motor Pulley 1-5/8"	1
MI00035	53	V-Belt Light Duty A 27	1
MJ00004	54	Clutch Plate 0.75" ID	1
MJ00005	55	Clutch Pad	1
MJ00006	56	Limit Switch Double Spacer 3/4"	4
MJ00013	57	Brake Assembly #1 (Standard Operator)	1
MK00004	58	Limit Switch	4
MK00027	59	Solenoid 220V	1
MM00019	60	Disconnect Arm LJ	1
MM00023	61	Support U-Bracket Pro-J	1
MM00024	62	Cam Plate	1
MM00025	63	Cut-Out Sw. Activation Plate	1
MM00046	64	Control Box Hinge	2
MM00076	65	Limited Duty Control Box	1
MM00077	66	Limited Duty Control Box Cover	1
MM00078	67	Solenoid Lever Limited Duty	1
MM00079	68	Disconnect Lever Limited Duty	1
MM00128	69	Limited Duty Frame U-Bracket Support	1
MM00450	70	Limited Duty Pro-LH/LJ Frame	1
MO00001	71	Cam Plate Compression Spring (0.178ID x 0.032G x 0.55L)	2
MO00006	72	Spring #5 0.92"ID x 0.09" x 2.00" LB E.G. #5	1
MO00027	73	Clutch Spring 0.812 ID x 0.218 WD x 1" - 4 Coil	1
MQ00001	74	Cotter Pin 1/8 x 1.5"	1
MQ00002	75	Cotter Pin 1/8 x 2.5"	1
MQ00007	76	Spring Pin 1/4" x 2"	1
MQ00008	77	Set Screw 5/16"-18UNC	11
MQ00009	78	Set Screw 1/4"-20	5
MQ00011	79	3/32" Aluminum Oval Sleeves	1
MR00001	80	3/32" Cable 13" Long C/W Cable Stop	1
MR00008	81	Disconnect Sash Chain	1
MU00001	82	Swivel Pulley	1
MU00002	83	Keyring 1-1/4"	1

Jackshaft Operator Pro-LH Parts Diagram

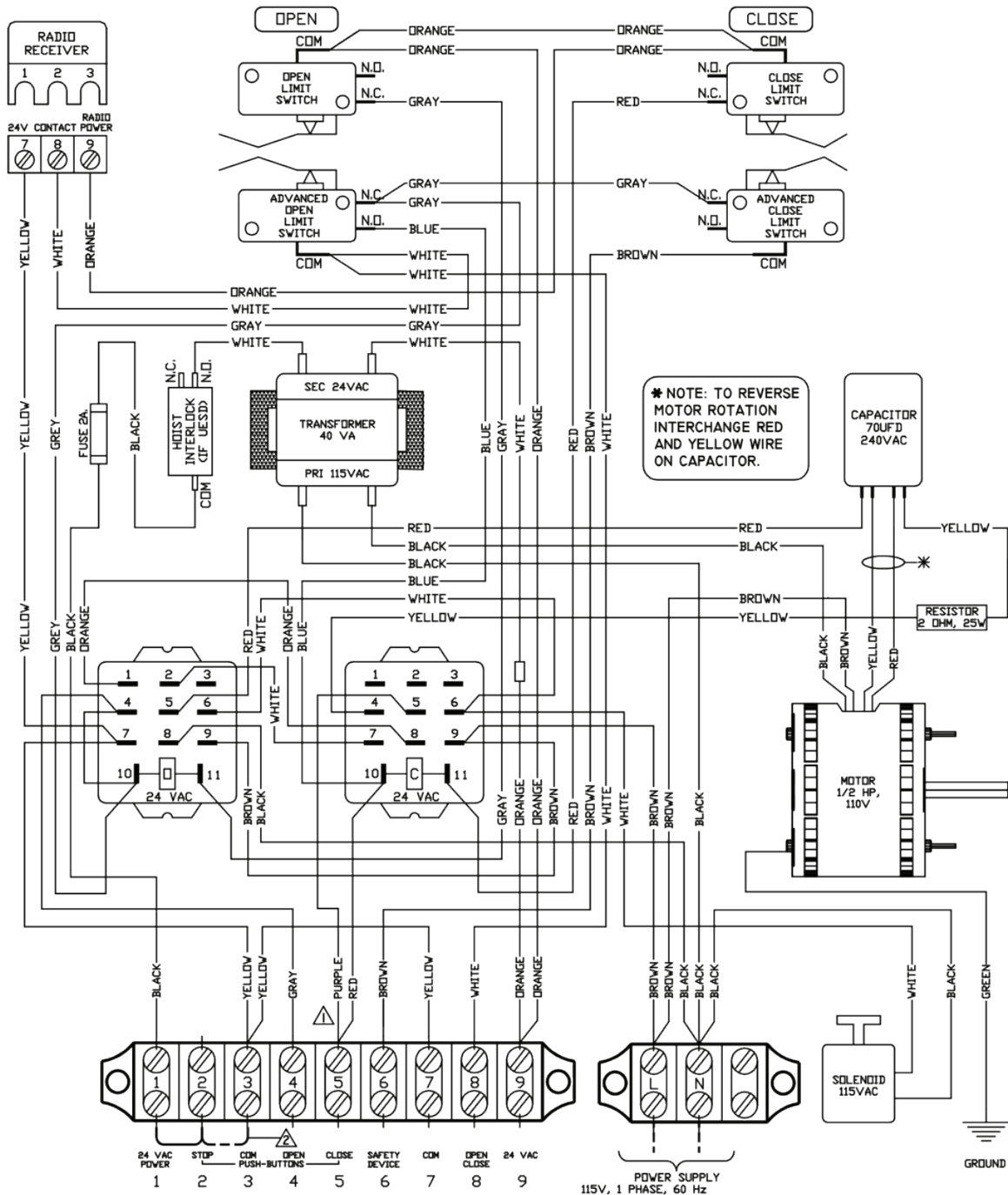


Jackshaft Operator Pro-LH Parts List

CODE	ARTICLE#	DESCRIPTION (PRO-LH)	QUANTITY
MB01010	1	0.5 HP Electric Motor	1
MD00003	2	Sprocket 41B36 x 1" Bore 1/4" KW 2SS	1
MD00004	3	Sprocket 410B12 x 1" Bore 1/4" KW (2SS 1/4"-20)	1
MD00006	4	Sprocket 41B10 x 3/4" Bore C/W 3/16" KW 2SS	1
MD00009	5	#41 Chain (45 Links C/W Link)	1
MD00111	6	Sprocket 410B9 x 3/8"	1
MD00128	7	#410 Chain (27 Links C/W Link)	1
ME00007	8	Drive Shaft 1" x 15"	1
ME00017	9	Keyway 1/4" SQ x 1-1/4" Long	2
ME00018	10	Keyway 3/16" x 3/16" x 1-1/4" Long	1
ME00035	11	Limited Duty Limit Shaft (3/8" - 1/2" x 8.5")	1
ME00037	12	Input Shaft 3/4" x 15.54"	1
ME00050	13	Frame Support Shaft 3/4" x 6"	1
MF00003	14	R.H. Philips Machine Screw 4-40 UNC x 1-1/2"	8
MF00004	15	R.H. Philips Machine Screw 6-32 UNC x 1"	2
MF00005	16	R.H. Philips Machine Screw 10-32UNF x 5/8"	2
MF00006	17	Hex Head Bolt 1/4"-20UNC x 1/2"	2
MF00007	18	Hex Head Bolt 1/4"-20UNC x 3/4"	2
MF00008	19	Hex Head Bolt 1/4"-20UNC x 1"	1
MF00009	20	Hex Head Bolt 1/4" - 20UNC x 2-1/4" (Partial Thread)	1
MF00011	21	Hex Head Bolt 3/8"-16UNC x 3/4" Long	4
MF00045	22	"Hex Head Slotted Self Rounding Washer Head Screw 8-32UNF x 3/8"	4
MF00046	23	"Hex Head Slotted Self Rounding Washer Head Screw 10-32UNF x 1/2"	6
MF00124	24	HHB Ser Wash Type F Head Reg Thr #10-32 x 1/2"	1
MG00003	25	Double Nut for Lim-Sw	4
MG00006	26	Hex Nut 1/4-20UNC	1
MG00007	27	Hex Nylon Lock Nut 6-32UNC	2
MG00008	28	Hex Nylon Lock Nut 10-32UNF	2
MG00009	29	Hex Nylon Lock Nut 1/4"-20UNC	1
MG00010	30	Ribbed Hex Nut 10-32UNF	8
MG00011	31	Ribbed Hex Nut 1/4"-20	6
MG00013	32	Ribbed Hex Nut 3/8" -16 UNC	2
MG00014	33	Slotted Hex Nut 3/4-24UNF	1
MG00016	34	Flat Washer #10	4
MG00017	35	Flat Washer 0.25 ID x 0.5" OD	2
MG00018	36	Lock Washer for 3/8" Screw	2
MG00019	37	Flat Washer 13/16" ID x 1.5" OD	1
MG00021	38	Flat Washer 7/8" ID x 1-1/8" OD	2
MG00030	39	Limit Cam 1/2"-20UNF	2
MG00036	40	Ribbed Hex Nut #8-32	4
MH00001	41	T-Bushing 3/8" ID	2
MH00006	42	Collar 3/8" ID - 3/4" OD	1
MH00007	43	Collar 1" ID - 1.5" OD	2
MH00008	44	Collar 3/4" ID - 1.25" OD	2
MH00009	45	Flanged Bearing 1" ID x 2" OD	2
MH00013	46	Flange Bearing 3/4"ID x 1-3/8" OD	2
MH00158	47	Bronze Flange T-Bushing MM00431 3/4" ID x 1" OD x 0.5" L w/ Clip	1
MI00003	48	Pocket Wheel C/W 2 Pins and Bushing 3/4" ID	1
MI00017	49	Pulley 4L - 7" OD x 3/4" ID	1
MI00018	50	4L Motor Pulley 1-5/8"	1
MI00035	51	V-Belt Light Duty A 27	1

CODE	ARTICLE#	DESCRIPTION (PRO-LH)	QUANTITY
MJ00004	52	Clutch Plate 0.75" ID	1
MJ00005	53	Clutch Pad	1
MJ00006	54	Limit Switch Double Spacer 3/4"	4
MJ00013	55	Brake Assembly #1 (Standard Operator)	1
MK00004	56	Limit Switch	4
MK00027	57	Solenoid 220V	1
MM00018	58	Disconnect Arm LH	1
MM00022	59	Support U-Bracket	1
MM00024	60	Cam Plate	1
MM00046	61	Control Box Hinge	2
MM00076	62	Limited Duty Control Box	1
MM00077	63	Limited Duty Control Box Cover	1
MM00078	64	Solenoid Lever Limited Duty	1
MM00079	65	Disconnect Lever Limited Duty	1
MM00080	66	Pivot Bracket Limited Duty	1
MM00128	67	Limited Duty Frame U-Bracket Support	1
MM00431	68	Chain Guard	1
MM00450	69	Limited Duty Pro-LH/LJ Frame	1
MO00001	70	Cam Plate Compression Spring (0.178ID x 0.032G x 0.55L)	2
MO00003	71	Pro-H/HHD Spring #4 (0.80" ID x 0.092" G x 1.80" L)	1
MO00027	72	Clutch Spring 0.812 ID x 0.218 WD x 1" - 4 Coil	1
MQ00001	73	Cotter Pin 1/8 x 1.5"	1
MQ00002	74	Cotter Pin 1/8 x 2.5"	1
MQ00007	75	Spring Pin 1/4" x 2"	2
MQ00008	76	Set Screw 5/16"-18UNC	10
MQ00009	77	Set Screw 1/4"-20	7
MQ00011	78	3/32" Aluminum Oval Sleeves	1
MQ00016	79	Spring Pin 3/16" x 1-1/4" Long	1
MR00001	80	3/32" Cable 13" Long C/W Cable Stop	1
MR00008	81	Disconnect Sash Chain	1
MU00001	82	Swivel Pulley	1
MU00002	83	Keyring 1-1/4"	1

MSLHR-WW Wiring Diagram



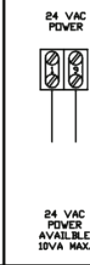
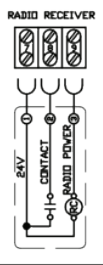
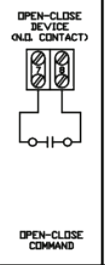
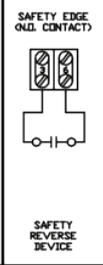
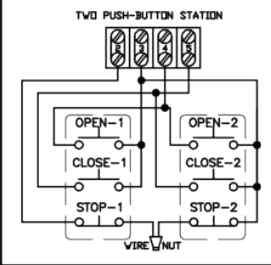
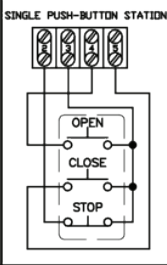
WARNING
 MICANAN STRONGLY RECOMMENDS THE USE OF ENTRAPMENT PROTECTION SYSTEMS WHEN B2 (MOMENTARY CONTACT) WIRING IS USED.

CONTROL WIRING OPTION ON CLOSE:
 THIS OPERATOR LEAVES THE FACTORY WITH A "C2" WIRING - MEANING THAT CONSTANT PRESSURE IS REQUIRED TO CLOSE THE DOOR. IF MOMENTARY OPERATION ON CLOSE - "B2" WIRING - IS DESIRED, THEN RE-INSTALL THE PURPLE WIRE ON TO TERMINAL #5.

IF STOP BUTTON NOT USED, ADD JUMPER BETWEEN 2 & 3.
 NOTE: MINIMUM 18 AWG WIRE MUST BE USED FOR FIELD CONNECTIONS.

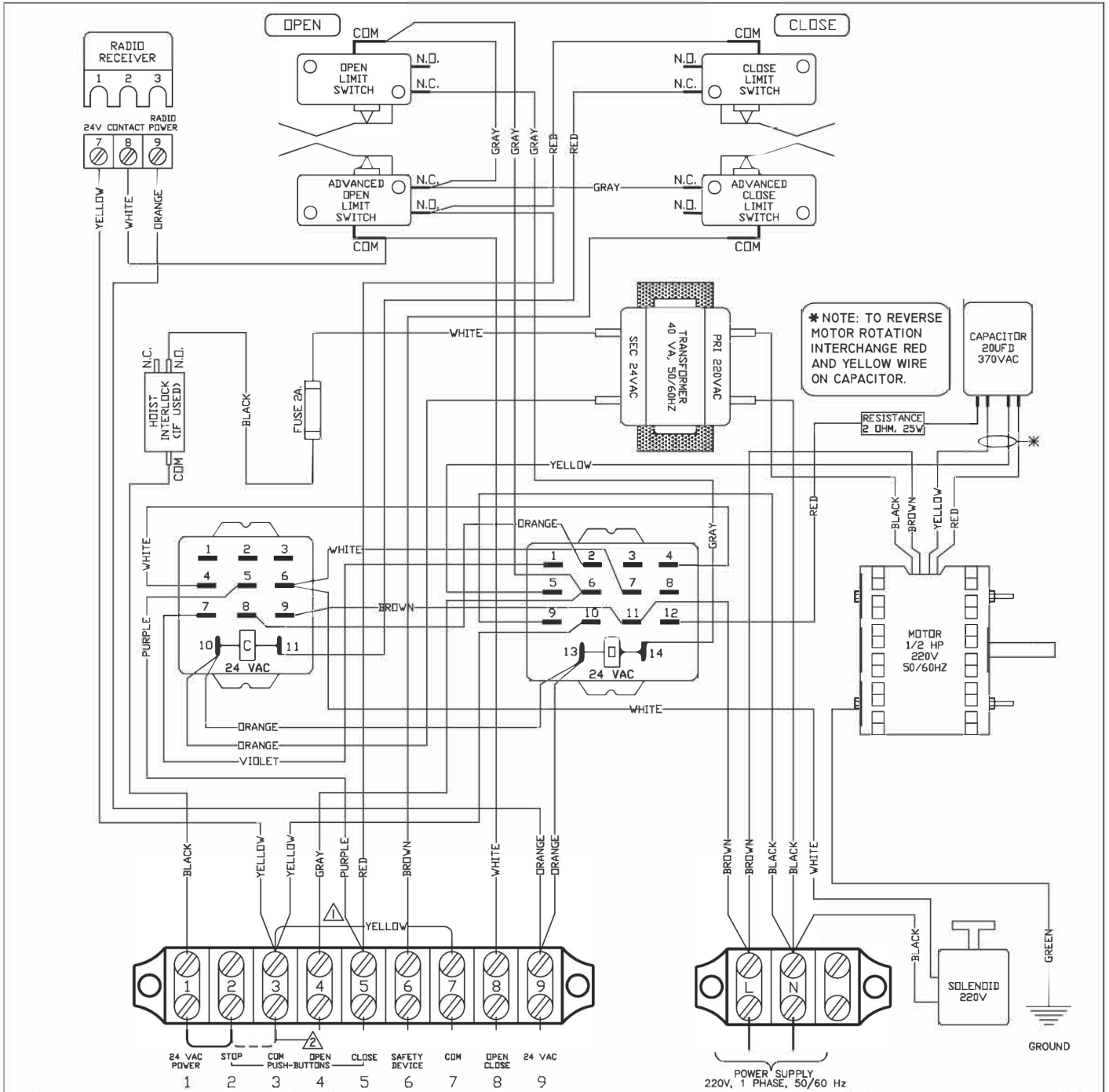
Pro-LJ/LH/LTB/LHAB, 1/2HP, 110V, 10
MSLHR-WW
 REV. G DATE: 08.08.09
 TECH. HELP LINE:
 CANADA: 1-(877) 888-1116
 USA: 1-(888) 816-8584

Nice
 Nice Group Canada Inc.
 1380 St Regis Blvd., Dorval, QC H9P2T5



THE INFORMATION CONTAINED HEREIN IS PROPRIETARY TO MICANAN SYSTEMS INC. AND SHALL NOT BE REPRODUCED OR DISCLOSED OR USED FOR ANY DESIGN OR MANUFACTURE EXCEPT WHEN USER POSSESSES DIRECT WRITTEN AUTHORISATION FROM MICANAN SYSTEMS INC.

MSLH2-WW Wiring Diagram



* NOTE: TO REVERSE MOTOR ROTATION INTERCHANGE RED AND YELLOW WIRE ON CAPACITOR.

WARNING
 MICANAN STRONGLY RECOMMENDS THE USE OF ENTRAPMENT PROTECTION SYSTEMS WHEN B2 (MOMENTARY CONTACT) WIRING IS USED.

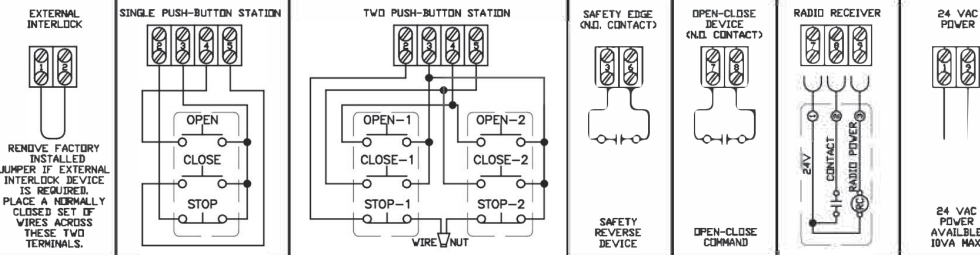
CONTROL WIRING OPTION ON CLOSE:
 THIS OPERATOR LEAVES THE FACTORY WITH A "C2" WIRING - MEANING THAT CONSTANT PRESSURE IS REQUIRED TO CLOSE THE DOOR. IF MOMENTARY OPERATION ON CLOSE - "B2" WIRING - IS DESIRED, THEN RE-INSTALL THE PURPLE WIRE ON TO TERMINAL #5.

IF STOP BUTTON NOT USED, ADD JUMPER BETWEEN 2 & 3.

NOTE: MINIMUM 18 AWG WIRE MUST BE USED FOR FIELD CONNECTIONS.

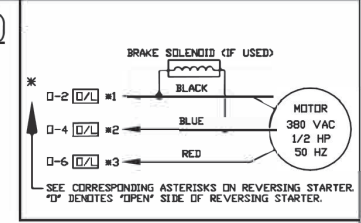
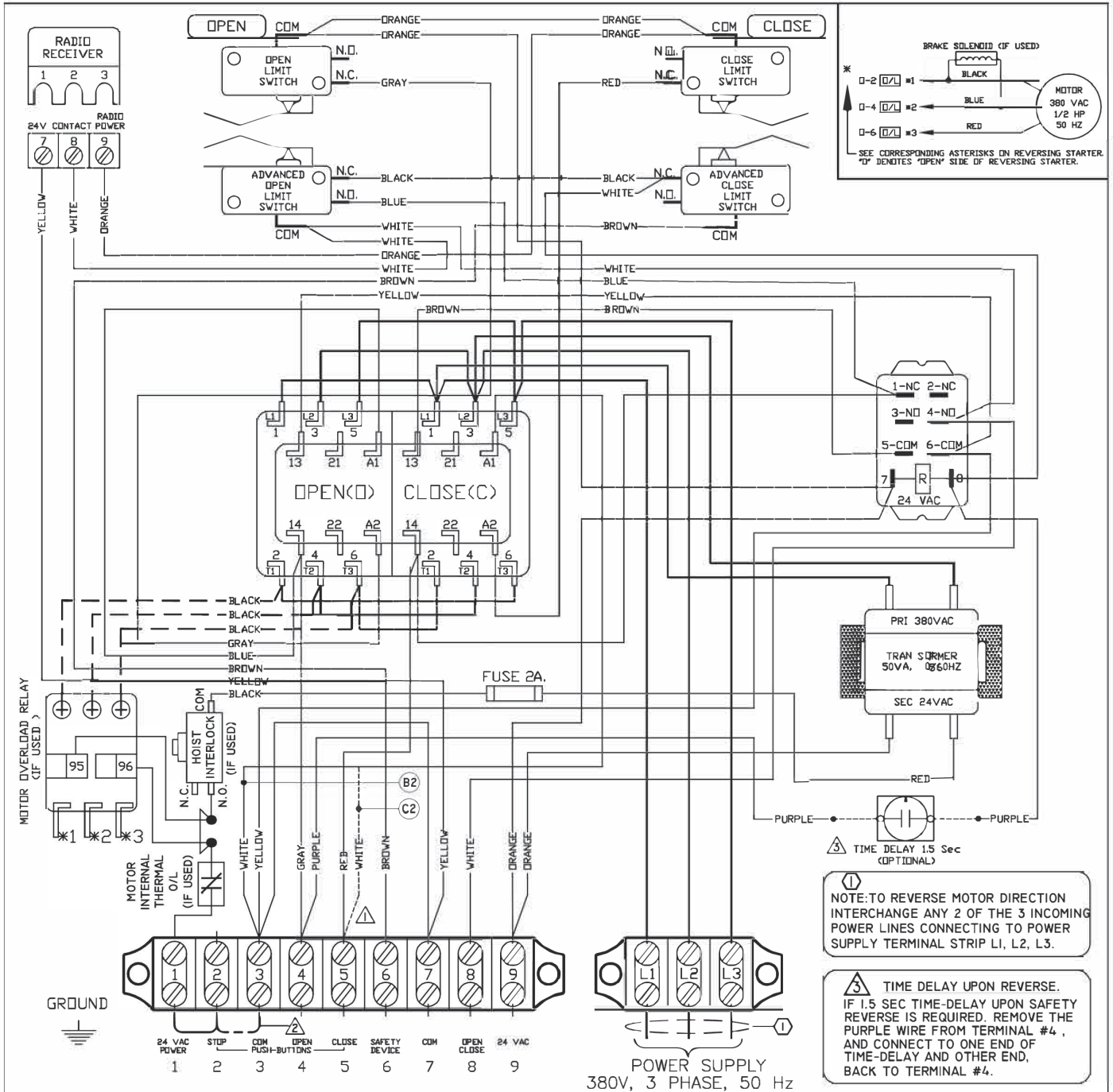
PRO-LJ/LH, I/2HP/LTB/LHAB
 MSLH2-WW 220V, 50/60HZ, 1.0
 REV. F DATE: 24.08.11
 TECH. HELP LINE:
 CANADA: 1-(877) 888-1116
 USA: 1-(888) 816-8584

Nice
 Nice Group Canada Inc.
 1380 St Regis Blvd, Dorval, QC H9P2T5



THE INFORMATION CONTAINED HEREIN IS PROPRIETARY TO MICANAN SYSTEMS INC. AND SHALL NOT BE REPRODUCED OR DISCLOSED OR USED FOR ANY DESIGN OR MANUFACTURE EXCEPT WHEN USER POSSESSES DIRECT WRITTEN AUTHORISATION FROM MICANAN SYSTEMS INC.

MS300LH-WW Wiring Diagram



NOTE: TO REVERSE MOTOR DIRECTION INTERCHANGE ANY 2 OF THE 3 INCOMING POWER LINES CONNECTING TO POWER SUPPLY TERMINAL STRIP L1, L2, L3.

TIME DELAY UPON REVERSE. IF 1.5 SEC TIME-DELAY UPON SAFETY REVERSE IS REQUIRED. REMOVE THE PURPLE WIRE FROM TERMINAL #4, AND CONNECT TO ONE END OF TIME-DELAY AND OTHER END, BACK TO TERMINAL #4.

WARNING
MICANAN STRONGLY RECOMMENDS THE USE OF ENTRAPMENT PROTECTION SYSTEMS WHEN B2 (MOMENTARY CONTACT) WIRING IS USED.

CONTROL WIRING OPTION ON CLOSE: THIS OPERATOR LEAVES THE FACTORY WITH A "C2" WIRING - MEANING THAT CONSTANT PRESSURE IS REQUIRED TO CLOSE THE DOOR. IF MOMENTARY OPERATION ON CLOSE - "B2" WIRING - IS DESIRED, THEN REMOVE THE WHITE WIRE FROM TERMINAL #5 AND PLACE ON TERMINAL #3.

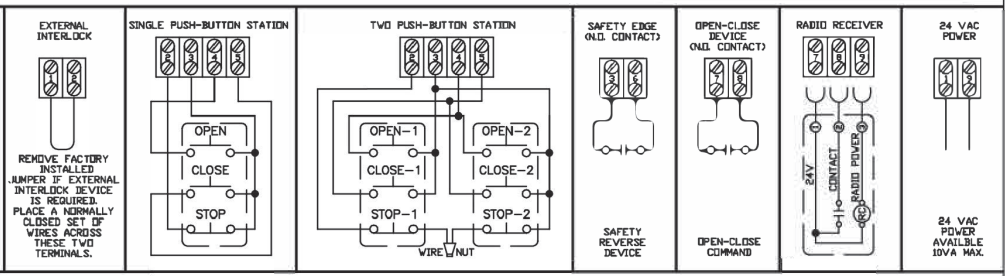
IF STOP BUTTON NOT USED, ADD JUMPER BETWEEN 2 & 3.

NOTE: MINIMUM 18 AWG WIRE MUST BE USED FOR FIELD CONNECTIONS.

3-PHASE PRO-LJ/LH/LT/LHA/GJ
1/2HP, 380V, 50HZ REV. E
MS300LH-WW DATE: 29.01.07
TECH. HELP LINE:
CANADA: 1-(877) 888-1116
USA: 1-(888) 816-8584

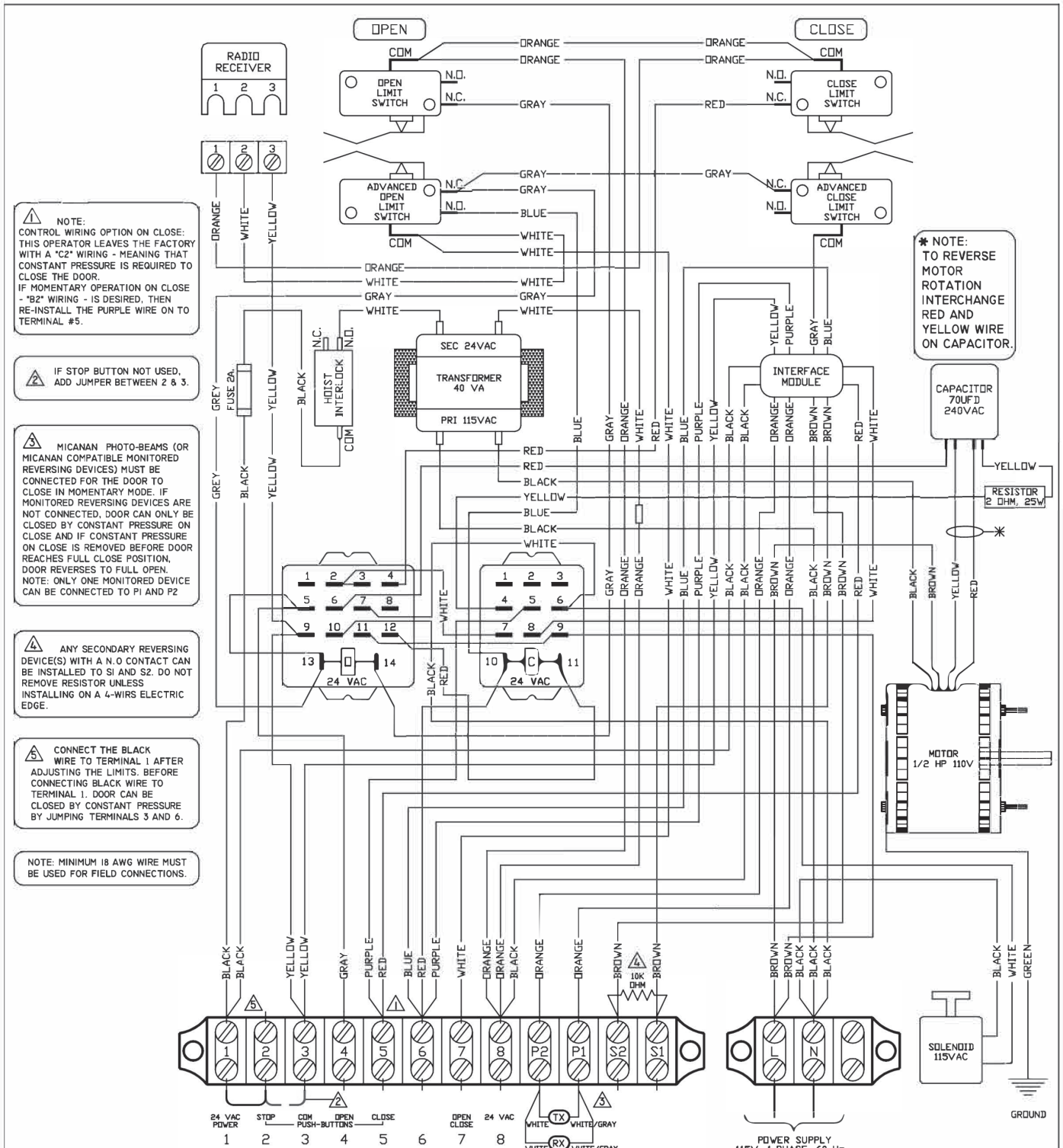


Nice Group Canada Inc.
1380 St Regis Blvd, Dorval, QC H9P2T5



THE INFORMATION CONTAINED HEREIN IS PROPRIETARY TO MICANAN SYSTEMS INC. AND SHALL NOT BE REPRODUCED OR DISCLOSED OR USED FOR ANY DESIGN OR MANUFACTURE EXCEPT WHEN USER POSSESSES DIRECT WRITTEN AUTHORISATION FROM MICANAN SYSTEMS INC.

MSLHR-IM-WW Wiring Diagram



NOTE:
CONTROL WIRING OPTION ON CLOSE: THIS OPERATOR LEAVES THE FACTORY WITH A "C2" WIRING - MEANING THAT CONSTANT PRESSURE IS REQUIRED TO CLOSE THE DOOR. IF MOMENTARY OPERATION ON CLOSE - "B2" WIRING - IS DESIRED, THEN RE-INSTALL THE PURPLE WIRE ON TO TERMINAL #5.

IF STOP BUTTON NOT USED, ADD JUMPER BETWEEN 2 & 3.

MICANAN PHOTO-BEAMS (OR MICANAN COMPATIBLE MONITORED REVERSING DEVICES) MUST BE CONNECTED FOR THE DOOR TO CLOSE IN MOMENTARY MODE. IF MONITORED REVERSING DEVICES ARE NOT CONNECTED, DOOR CAN ONLY BE CLOSED BY CONSTANT PRESSURE ON CLOSE AND IF CONSTANT PRESSURE ON CLOSE IS REMOVED BEFORE DOOR REACHES FULL CLOSE POSITION, DOOR REVERSES TO FULL OPEN. NOTE: ONLY ONE MONITORED DEVICE CAN BE CONNECTED TO P1 AND P2

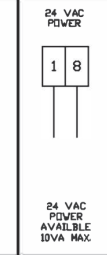
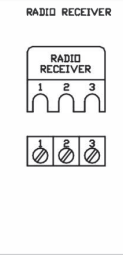
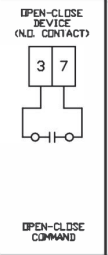
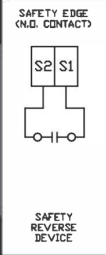
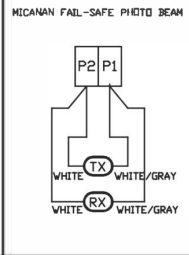
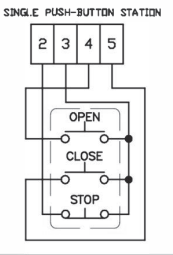
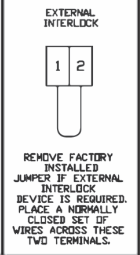
ANY SECONDARY REVERSING DEVICE(S) WITH A N.O CONTACT CAN BE INSTALLED TO S1 AND S2. DO NOT REMOVE RESISTOR UNLESS INSTALLING ON A 4-WIRE ELECTRIC EDGE.

CONNECT THE BLACK WIRE TO TERMINAL 1 AFTER ADJUSTING THE LIMITS. BEFORE CONNECTING BLACK WIRE TO TERMINAL 1, DOOR CAN BE CLOSED BY CONSTANT PRESSURE BY JUMPING TERMINALS 3 AND 6.

NOTE: MINIMUM 18 AWG WIRE MUST BE USED FOR FIELD CONNECTIONS.

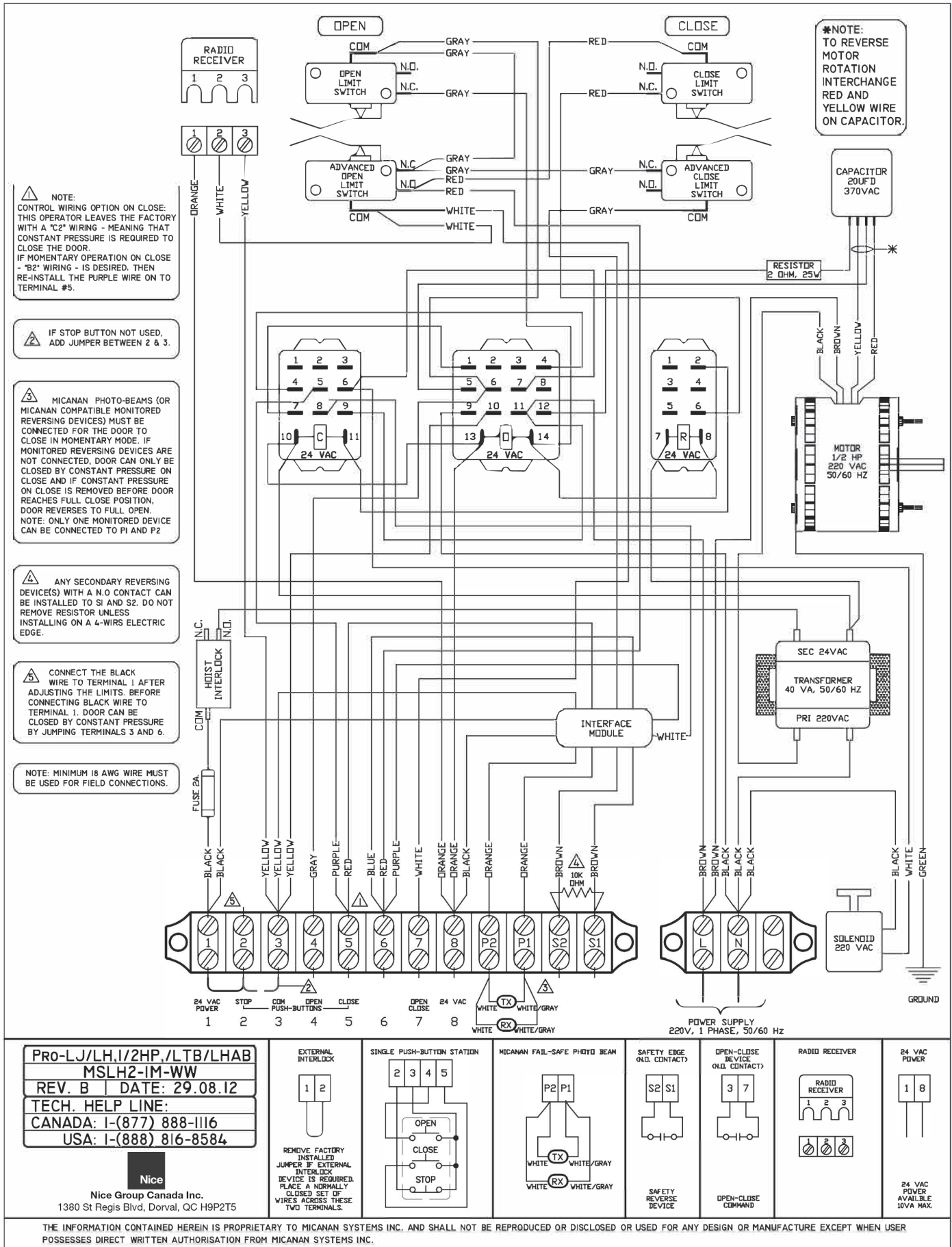
*** NOTE:**
TO REVERSE MOTOR ROTATION INTERCHANGE RED AND YELLOW WIRE ON CAPACITOR.

1-PHASE PRO-LJ/LH, 1/2HP, 110V
MSLHR-IM-WW
REV. D DATE: 17.11.10
TECH. HELP LINE:
CANADA: 1-(877) 888-1116
USA: 1-(888) 816-8584

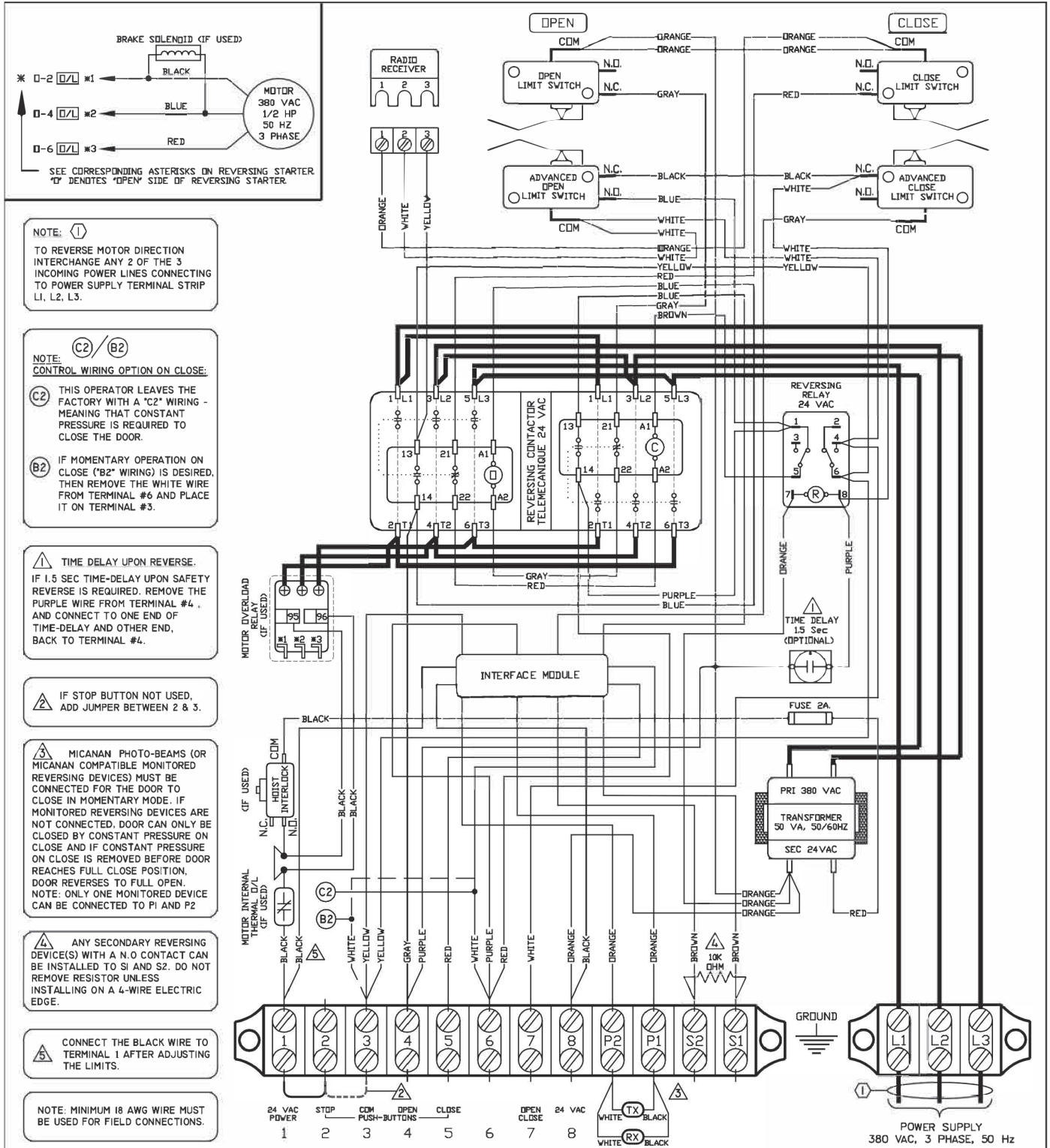


THE INFORMATION CONTAINED HEREIN IS PROPRIETARY TO MICANAN SYSTEMS INC. AND SHALL NOT BE REPRODUCED OR DISCLOSED OR USED FOR ANY DESIGN OR MANUFACTURE EXCEPT WHEN USER POSSESSES DIRECT WRITTEN AUTHORISATION FROM MICANAN SYSTEMS INC.

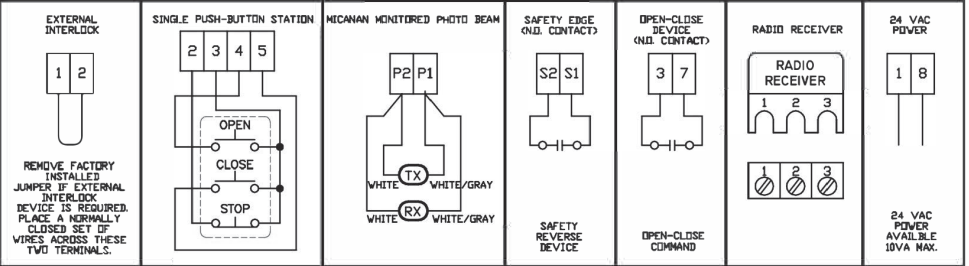
MSLH2-IM-WW Wiring Diagram



MS300LH-IM-WW Wiring Diagram



3-PHASE PRO-LJ/LH/LT/LHA/GJ	
1/2HP,380V,50HZ	REV. A
MS300LH-IM-WW	DATE: 20.01.11
TECH. HELP LINE:	
CANADA: 1-(877) 888-1116	
USA: 1-(888) 816-8584	
Nice	
Nice Group Canada Inc.	
1380 St Regis Blvd, Dorval, QC H9P2T5	



MSLLHR-110V-WW Wiring Diagram

1 IF STOP BUTTON USED, REMOVE JUMPER BETWEEN "STOP" AND "COM" TERMINALS.

2 MICANAN MONITORED PHOTO BEAMS OR MICANAN COMPATIBLE MONITORED SAFETY DEVICES MUST BE CONNECTED TO P1 AND P2 FOR THE DOOR TO CLOSE IN MOMENTARY MODE (B2 OR TS). IF MONITORED SAFETY DEVICES ARE NOT CONNECTED, DOOR CAN ONLY BE CLOSED BY CONSTANT PRESSURE AND IF CONSTANT PRESSURE IS REMOVED BEFORE DOOR REACHES FULL CLOSE POSITION, DOOR REVERSES TO FULL OPEN POSITION.
NOTE: ONLY ONE MONITORED DEVICE CAN BE CONNECTED TO P2 AND P1.

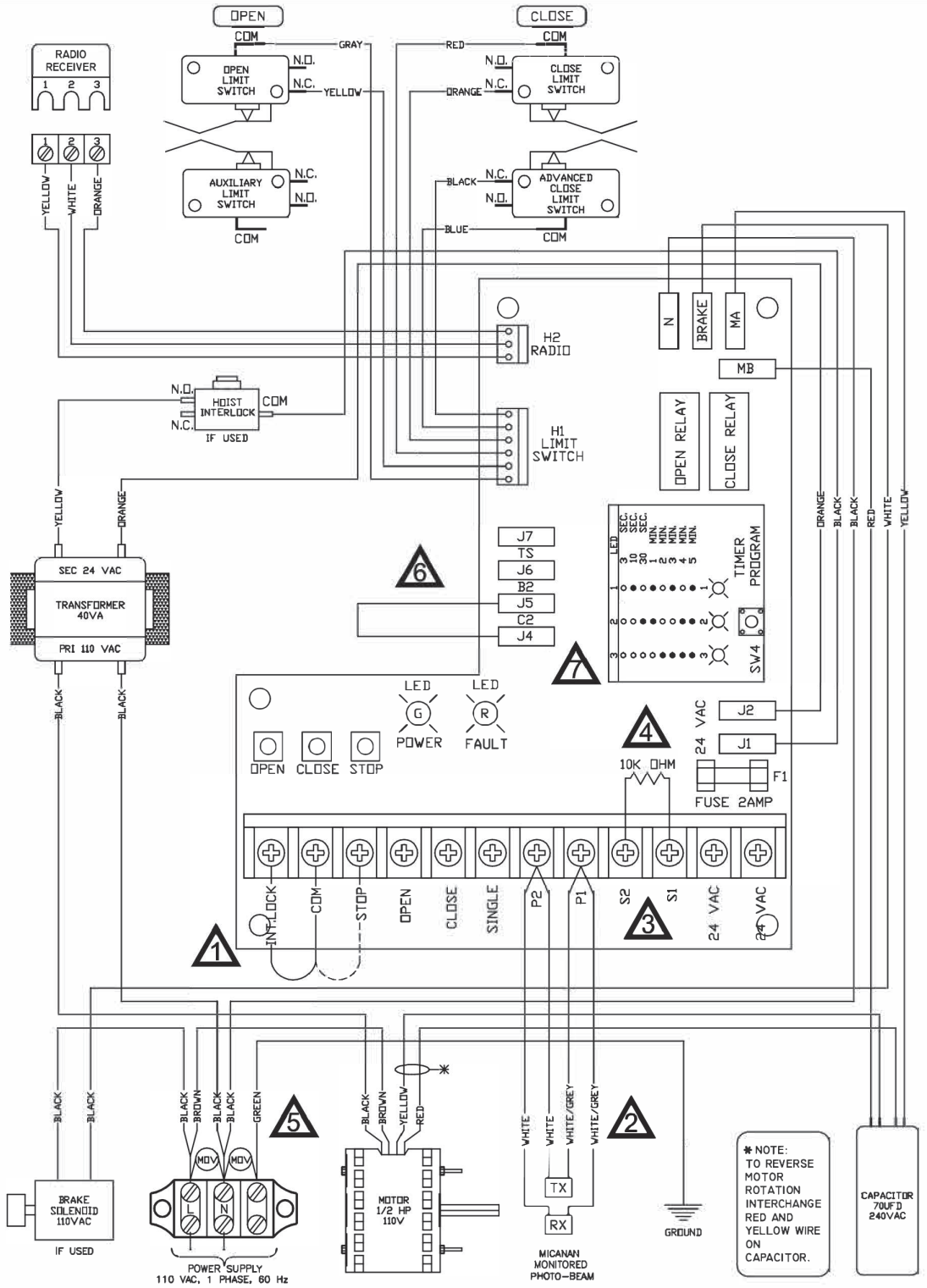
3 ONE OR MORE SECONDARY SAFETY DEVICES (WITH A N.O. CONTACT) CAN BE CONNECTED TO S1 AND S2.

4 DO NOT REMOVE RESISTOR UNLESS INSTALLING ON A 4-WIRE ELECTRIC EDGE.

5 REFER TO INSTALLATION MANUAL FOR APPROPRIATE SURGE PROTECTOR RATINGS.

6 OPERATOR IS SHIPPED FROM FACTORY IN CONSTANT PRESSURE TO CLOSE (C2) MODE OF OPERATION. IF MOMENTARY ON CLOSE IS REQUIRED, REMOVE THE JUMPER FROM PIN "C2" AND PLACE IT ON PIN "B2". IF TIMER TO CLOSE IS REQUIRED, PLACE THE JUMPER ON PIN "TS".

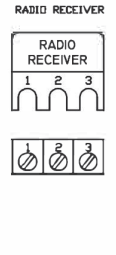
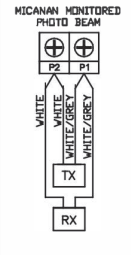
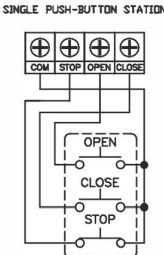
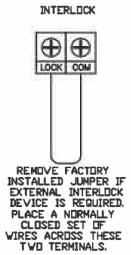
7 TIMER TO CLOSE ADJUSTMENT: DEFAULT SETTING OF TIMER TO CLOSE IS 3 SEC. TO MODIFY THIS VALUE, PRESS "TIMER PROGRAM" BUTTON UNTIL DESIRED VALUE IS REACHED. REFER TO ON BOARD LED INDEX FOR TIMER VALUE INDICATION.



* NOTE: TO REVERSE MOTOR ROTATION INTERCHANGE RED AND YELLOW WIRE ON CAPACITOR.

I-PHASE 110 VAC
MSLLHR110V-WW
REV. C | DATE: 02.01.13
TECH. HELP LINE:
CANADA: 1-(877) 888-1116
USA: 1-(888) 816-8584

Nice
Nice Group Canada Inc.
1380 St Regis Blvd, Dorval, QC H9P2T5



MSLLHR-220V-WW Wiring Diagram

1 IF STOP BUTTON USED, REMOVE JUMPER BETWEEN "STOP" AND "COM" TERMINALS.

2 MICANAN MONITORED PHOTO BEAMS OR MICANAN COMPATIBLE MONITORED SAFETY DEVICES MUST BE CONNECTED TO P1 AND P2 FOR THE DOOR TO CLOSE IN MOMENTARY MODE (B2 OR TS). IF MONITORED SAFETY DEVICES ARE NOT CONNECTED, DOOR CAN ONLY BE CLOSED BY CONSTANT PRESSURE AND IF CONSTANT PRESSURE IS REMOVED BEFORE DOOR REACHES FULL CLOSE POSITION, DOOR REVERSES TO FULL OPEN POSITION. NOTE: ONLY ONE MONITORED DEVICE CAN BE CONNECTED TO P2 AND P1.

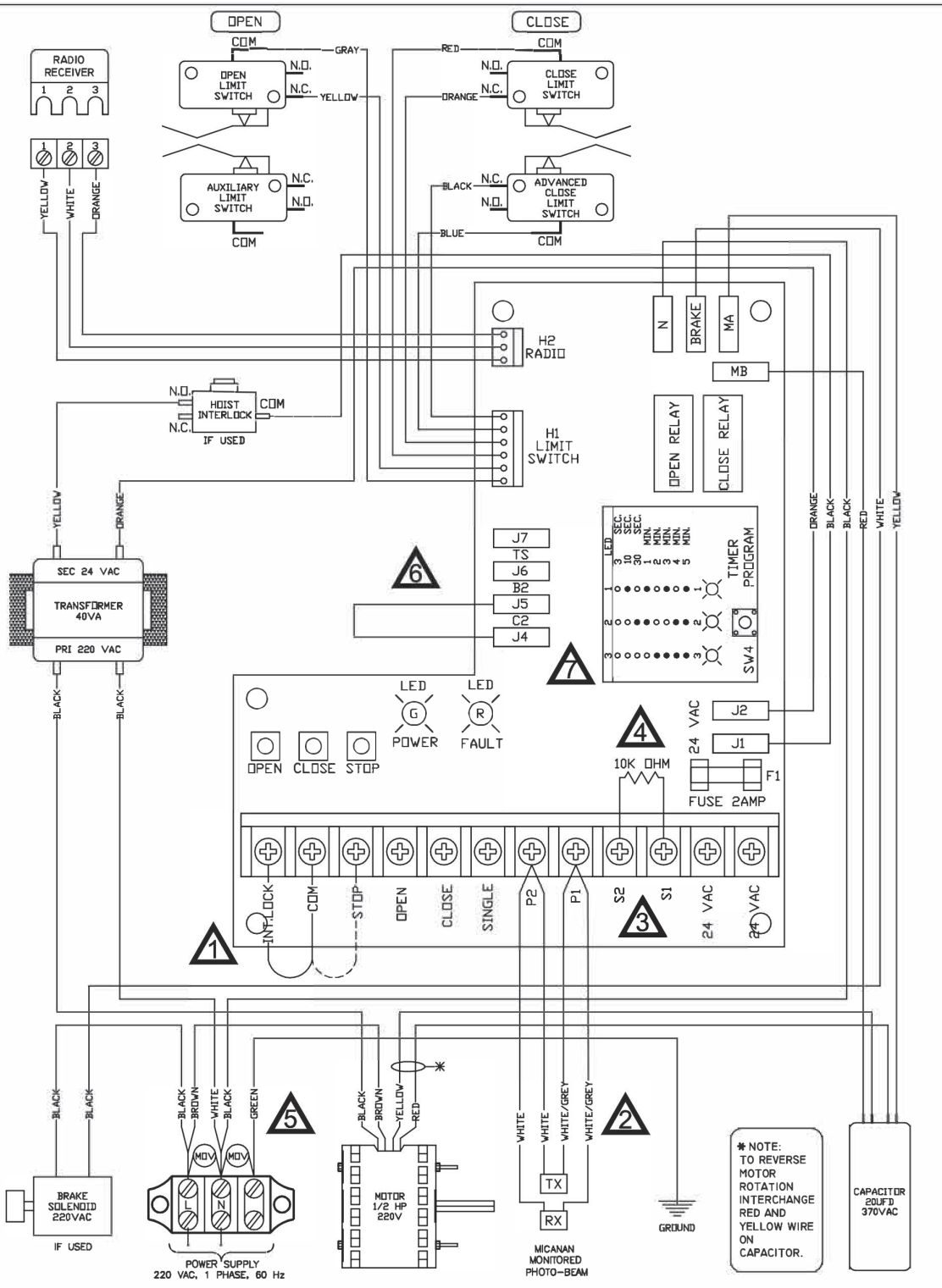
3 ONE OR MORE SECONDARY SAFETY DEVICES (WITH A N.O. CONTACT) CAN BE CONNECTED TO S1 AND S2.

4 DO NOT REMOVE RESISTOR UNLESS INSTALLING ON A 4-WIRE ELECTRIC EDGE.

5 REFER TO INSTALLATION MANUAL FOR APPROPRIATE SURGE PROTECTOR RATINGS.

6 OPERATOR IS SHIPPED FROM FACTORY IN CONSTANT PRESSURE TO CLOSE (C2) MODE OF OPERATION. IF MOMENTARY ON CLOSE IS REQUIRED, REMOVE THE JUMPER FROM PIN "C2" AND PLACE IT ON PIN "B2". IF TIMER TO CLOSE IS REQUIRED, PLACE THE JUMPER ON PIN "TS".

7 TIMER TO CLOSE ADJUSTMENT: DEFAULT SETTING OF TIMER TO CLOSE IS 3 SEC. TO MODIFY THIS VALUE, PRESS "TIMER PROGRAM" BUTTON UNTIL DESIRED VALUE IS REACHED. REFER TO ON BOARD LED INDEX FOR TIMER VALUE INDICATION.

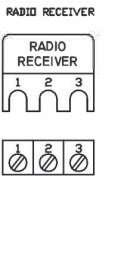
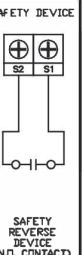
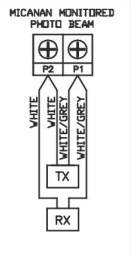
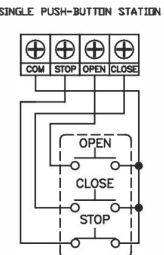
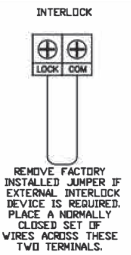


* NOTE: TO REVERSE MOTOR ROTATION INTERCHANGE RED AND YELLOW WIRE ON CAPACITOR.

1-PHASE 220 VAC
MSLLHR220V-WW
 REV. A DATE: 01.04.13
 TECH. HELP LINE:
 CANADA: 1-(877) 888-1116
 USA: 1-(888) 816-8584

Nice

Nice Group Canada Inc.
 1380 St Regis Blvd, Dorval, QC H9P2T5



Technical Support:
877-888-1116

Technical Support Hours:
M – F, 8:00 a.m. – 6:00 p.m. ET

Nice North America
c/o Customer Service
5919 Sea Otter Place, Suite 100
Carlsbad, CA 92010



Niceforyou.com

©2023 Nice North America LLC.
All rights reserved.