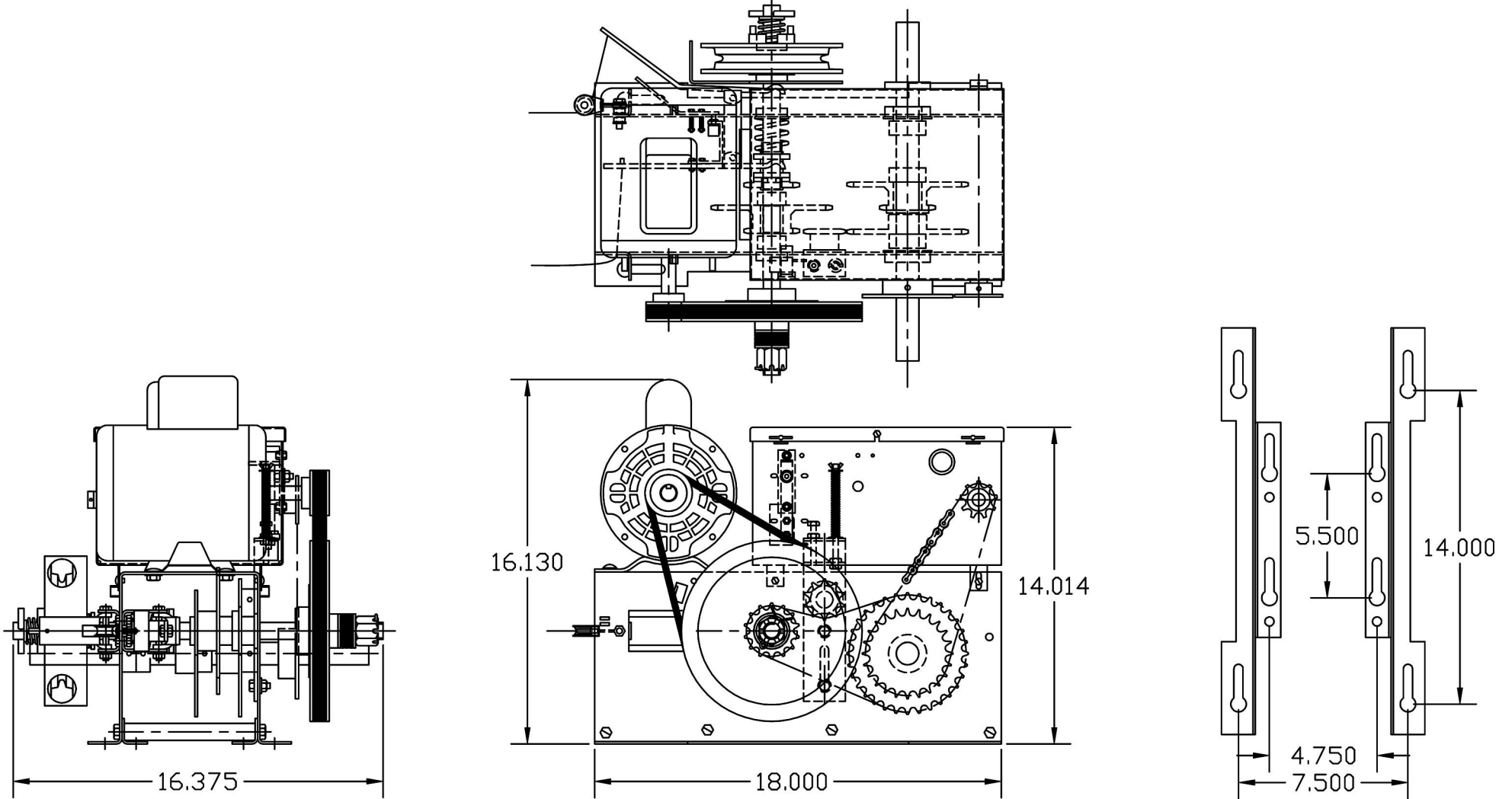


11.11.05	C.S.	D.J.	MICANAN SYSTEMS INC.	
DATE:	APPROVED:	DRAWN BY:		
UNLESS OTHERWISE SPECIFIED DIMENSIONS ARE IN INCHES TOLERANCES .XX=±.01 ANGLES=±30'			BELT DRIVE OPERATOR PRO-EHJEB	
REVISION:A			WEIGHT: 1b	SIZE: B
			CAD FILE: 2D-PROEHJEB-ME	PAGE: 1/1 SCALE: 1:5



11.11.03	C.S.	D.J.	MICANAN SYSTEMS INC.	
DATE:	APPROVED:	DRAWN BY:		
UNLESS OTHERWISE SPECIFIED DIMENSIONS ARE IN INCHES TOLERANCES .XX=±.01 ANGLES=±30'			BELT DRIVE OPERATOR PRO-EHJ	
REVISION: A			WEIGHT: 1b	SIZE: B
			CAD FILE: 2D-PROEHJ-ME	PAGE: 1/1 SCALE: 1:5