

PRO-EJ ARCHITECTURAL SHOP DRAWING

Date: _____

Page: _____ of _____

Drawing No.: _____

Architect/ Engineer: _____

Contractor: _____

Customer: _____

Number of Operators: _____

Horsepower: _____

Volts: _____

Phase: _____

Hertz: _____

Type of Door: _____

Door Width/ Height: _____ W x _____ H

Operator Nema Rating: _____

OPEN/ CLOSE/ STOP Control Stations: _____

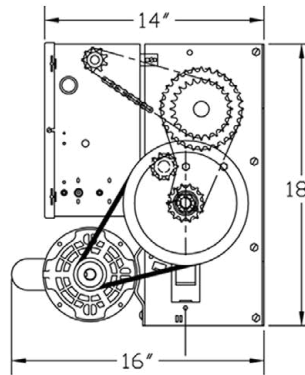
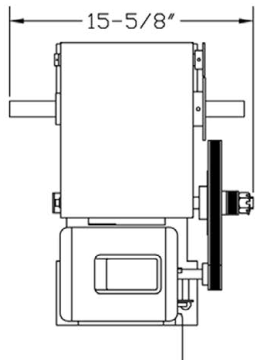
FULL LOAD AMP RATING CHART (AMPS)

VOLTAGE	1/3 HP	1/2 HP
115V 1-Φ, 60 HZ	7.9	8.5
230V 1-Φ, 60 HZ	3.9	4.2
230V 1-Φ, 50 HZ	3.1	3.1
208/230V 3-Φ, 60 HZ	2.1	2.1
380V 3-Φ, 50 HZ	1.1	1.1
460V 3-Φ, 60 HZ	1.1	1.1
575V 3-Φ, 60 HZ	1.0	1.0

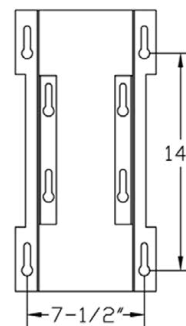
Control Wiring Option: _____

A Relay Logic w/ interface module (monitored reversing device supplied)

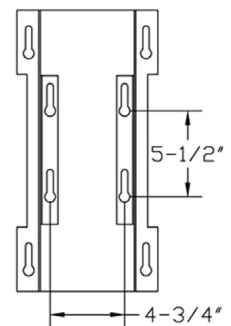
B Relay Logic (not available in US or other areas where UL325 is mandated)



WALL MOUNT



BRACKET MOUNT



ADDITIONAL EQUIPMENT OR OPTIONS

