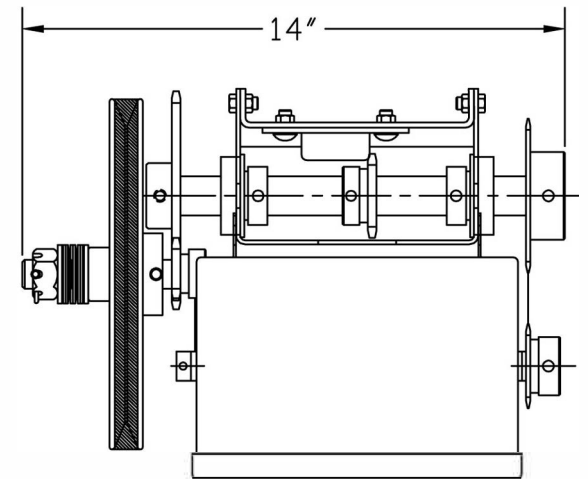
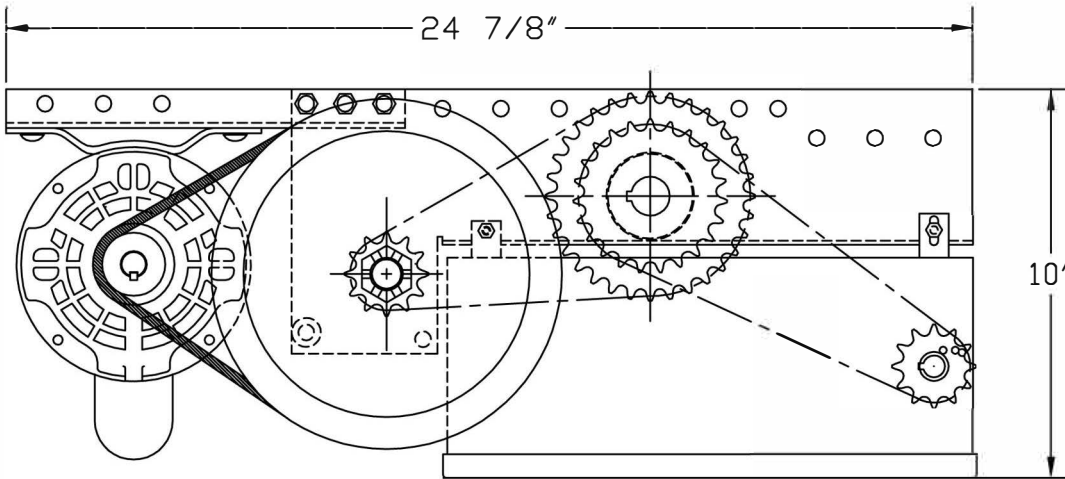
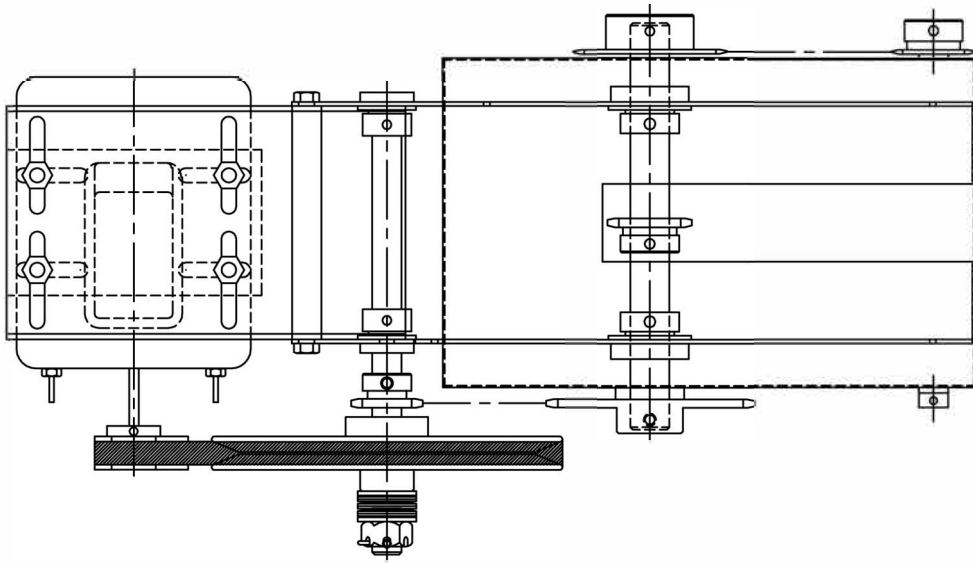


|   |           |           |                                   |            |
|---|-----------|-----------|-----------------------------------|------------|
| 12.12.07  | C.S.      | D.J.      | <b>NICE GROUP CANADA INC.</b>     |            |
| DATE:   | APPROVED: | DRAWN BY: |                                   |            |
| UNLESS OTHERWISE SPECIFIED<br>DIMENSIONS ARE IN INCHES<br>TOLERANCES<br>.XX=±.01<br>ANGLES=±30' |           |           | <b>TROLLEY OPERATOR<br/>PRO-T</b> |            |
| <b>REVISION:A</b>   |           |           |                                   |            |
|   |           |           | CAD FILE: 2D-PROT-ME              | PAGE: 1/1  |
|   |           |           |                                   | SCALE: 1:4 |



|   |           |           |  |            |
|---|-----------|-----------|--|------------|
| 12.12.07  | C.S.      | D.J.      | <b>NICE GROUP CANADA INC.</b>            |            |
| DATE:   | APPROVED: | DRAWN BY: |  |            |
| UNLESS OTHERWISE SPECIFIED<br>DIMENSIONS ARE IN INCHES<br>TOLERANCES<br>.XX=±.01<br>ANGLES=±30' |           |           | <b>TROLLEY OPERATOR<br/>PRO-TW (N-4)</b> |            |
| <b>REVISION:A</b>   |           |           |  |            |
|   |           |           | CAD FILE: 2D-PROTW-ME-N4                 | PAGE: 1/1  |
|   |           |           |  | SCALE: 1:4 |