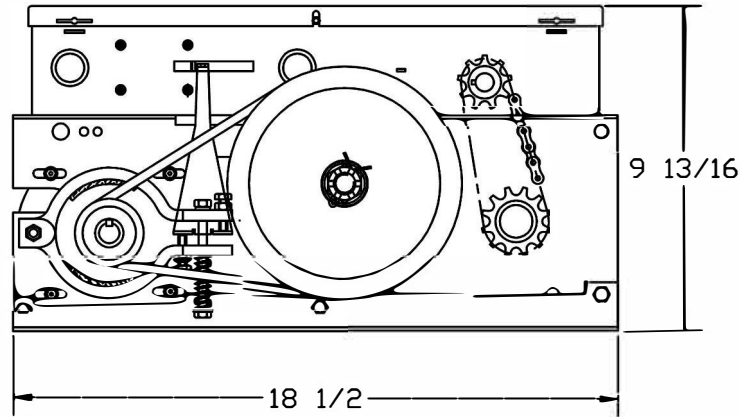
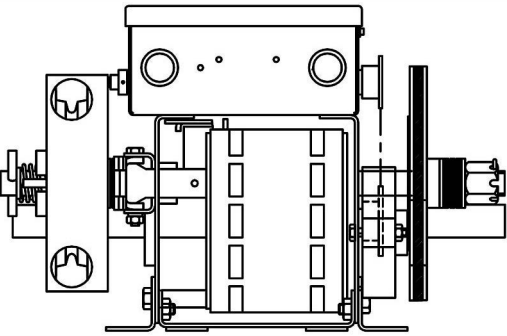
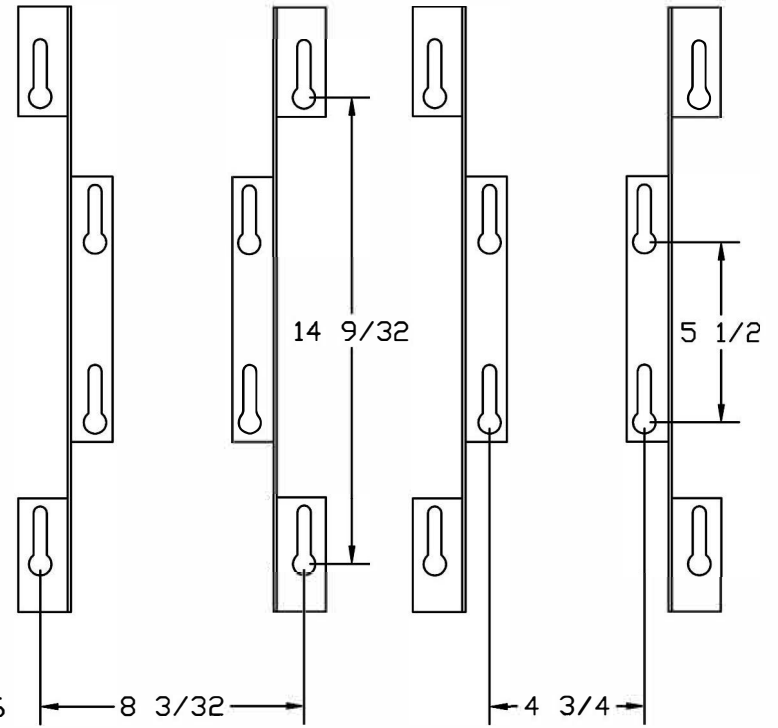


WALL MOUNT

BRACKET MOUNT



06.06.02	C.S.	D.J.	NICE GROUP CANADA INC.	
DATE:	APPROVED:	DRAWN BY:	TITLE:	
UNLESS OTHERWISE SPECIFIED DIMENSIONS ARE IN INCHES TOLERANCES .XX=±.01 ANGLES=±30'			LIMITED DUTY OPERATOR PRO-LH	
REVISION:A		WEIGHT: 1b	SIZE: B	PAGE: 1/1
		CAD FILE: 2D-PROLH-ME	SCALE: 1:4	