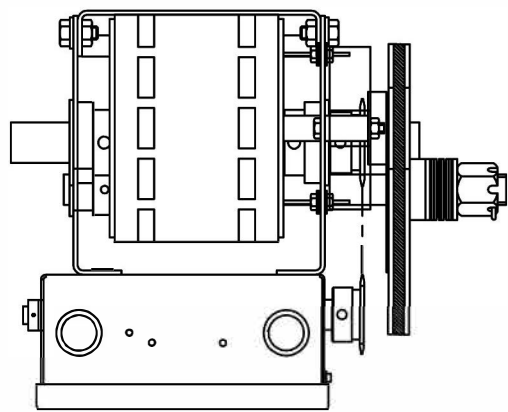
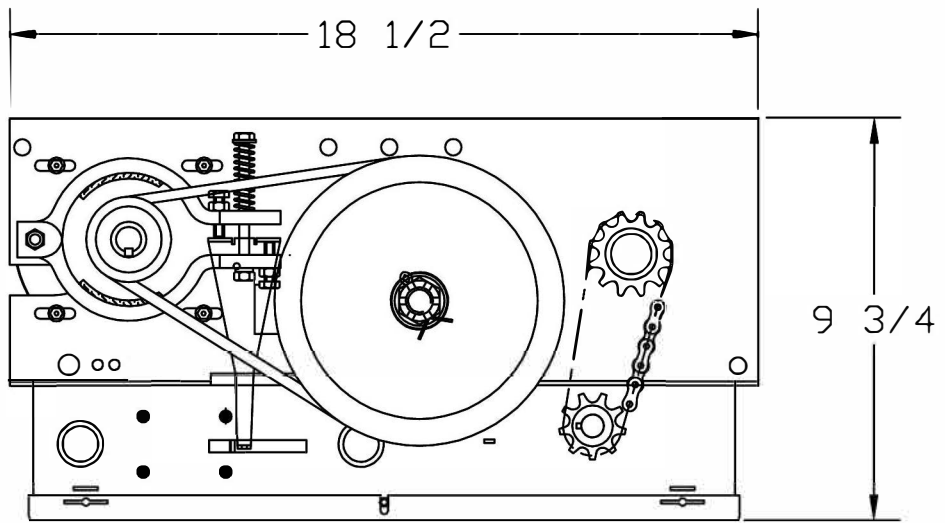
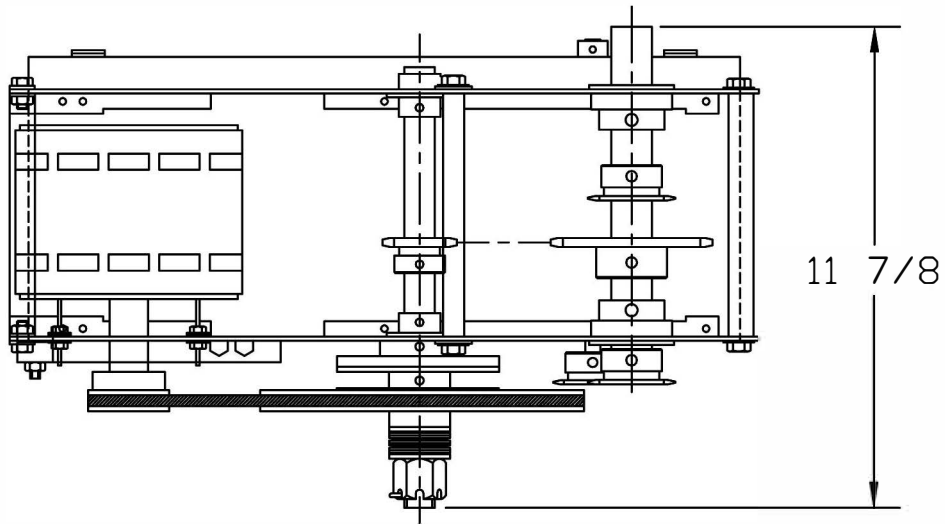


09.09.03	C.S.	D.J.	<b>NICE GROUP CANADA INC.</b>	
DATE:	APPROVED:	DRAWN BY:	TITLE:	
UNLESS OTHERWISE SPECIFIED DIMENSIONS ARE IN INCHES TOLERANCES .XX=±.01 ANGLES=±30'			<b>LIMITED DUTY OPERATOR PRO-LT</b>	
REVISION:A		WEIGHT: 1b	SIZE: B	PAGE: 1/1
		CAD FILE: 2D-PROLT-ME		SCALE: 1:4



05.05.08	C.S.	D.J.	<b>NICE GROUP CANADA INC.</b>	
DATE:	APPROVED:	DRAWN BY:	TITLE:	
UNLESS OTHERWISE SPECIFIED DIMENSIONS ARE IN INCHES TOLERANCES .XX=±.01 ANGLES=±30'			<b>LIMITED DUTY OPERATOR PRO-LTB</b>	
<b>REVISION:A</b>		WEIGHT: 1b	SIZE: B	PAGE: 1/1
		CAD FILE: 2D-PROLTB-ME		SCALE: 1:4