

PRO-LT ARCHITECTURAL SHOP DRAWING

Date: _____
 Page: _____ of _____
 Drawing No.: _____
 Architect/ Engineer: _____
 Contractor: _____
 Customer: _____

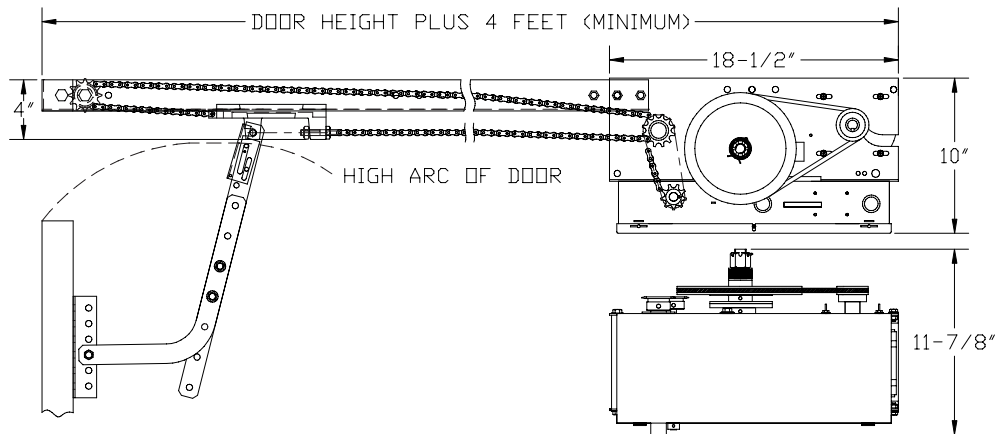
FULL LOAD AMP RATING CHART (AMPS)

VOLTAGE	1/2 HP
110V 1-Φ, 60 HZ	6.0
230V 1-Φ, 60 HZ	3.0
230V 1-Φ, 50 HZ	3.2
380V 1-Φ, 50 HZ	2.0

Number of Operators: _____
 Horsepower: _____
 Volts: _____
 Phase: _____
 Hertz: _____
 Type of Door: _____
 Door Width/ Height: _____ W x _____ H
 Operator Nema Rating: _____
 OPEN/ CLOSE/ STOP Control Stations: _____

Control Wiring Option: _____

- A** Relay Logic w/ interface module (monitored reversing device supplied)
- B** Relay Logic (not available in US or other areas where UL325 is mandated)



ADDITIONAL EQUIPMENT OR OPTIONS

