

EMERGENCY EGRESS DEVICE INSTALLATION INSTRUCTIONS

FIG: 2

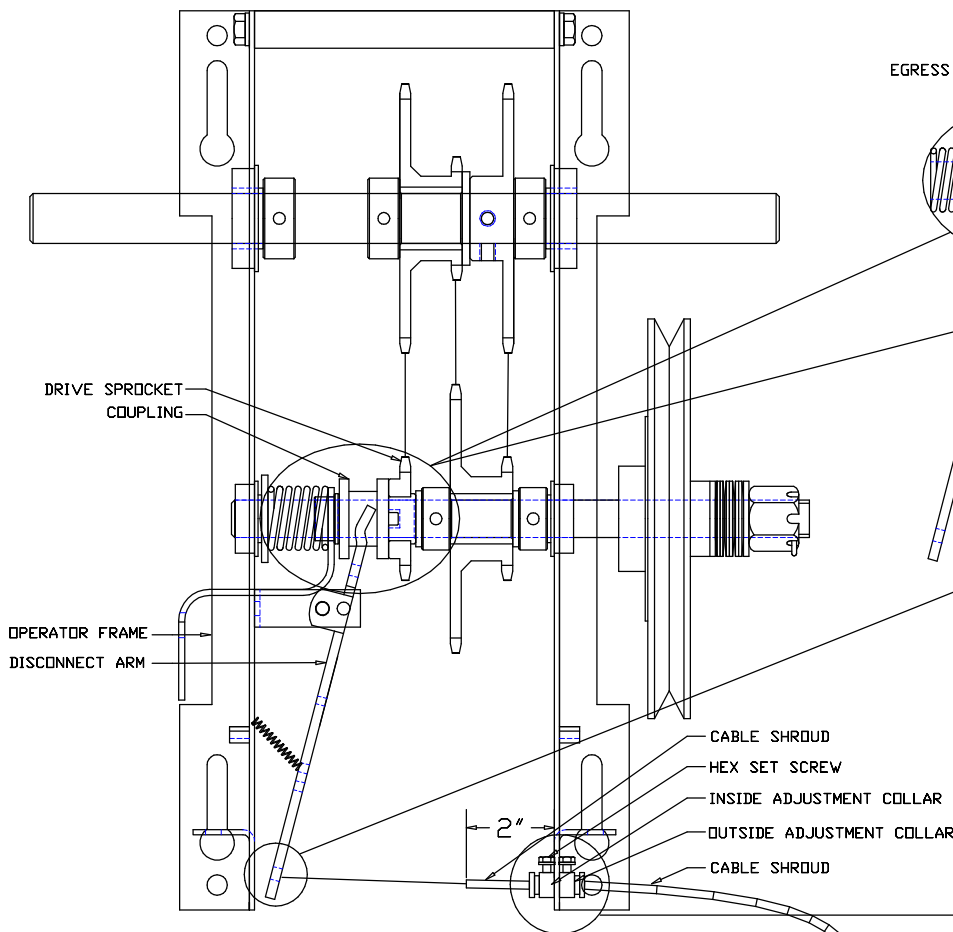


FIG: 4

EGRESS DEVICE NOT ENGAGED. EGRESS DEVICE ENGAGED. (EGRESS HANDLE PULLED DOWNWARD.)

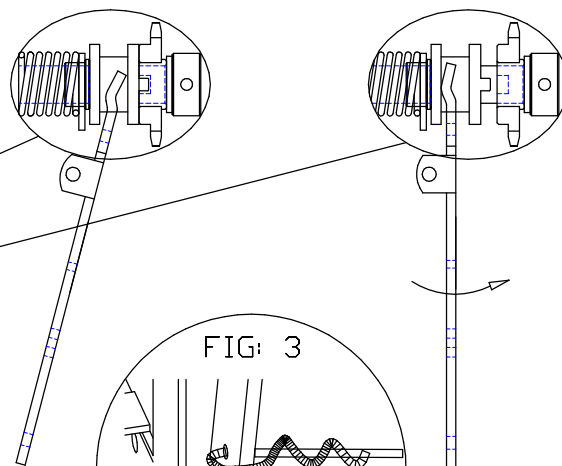


FIG: 3

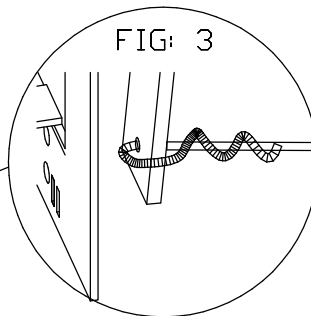
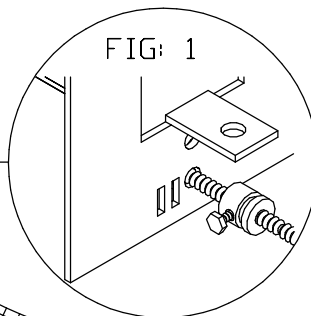
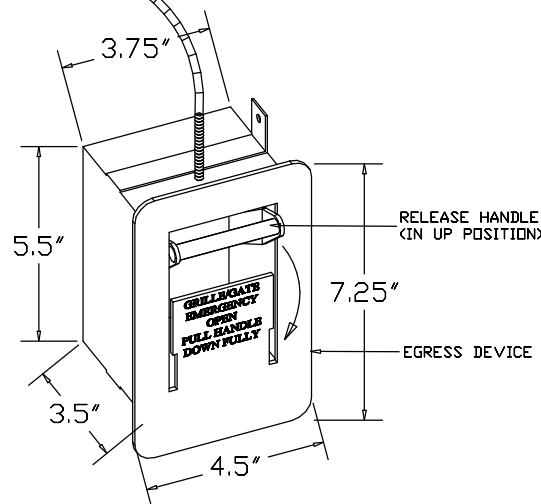


FIG: 1



EGRESS CABLE
(NOTE: NEVER ATTEMPT TO MOVE THE EGRESS DEVICE HANDLE WHILE THE CABLE IS COILED.)



Installation Instructions

(Note: Complete steps 1 to 8 after installing operator to L-bracket or wall)

1. Remove disconnect sash chain (if applicable) as sash chain is not required if emergency egress device is installed.
2. Uncoil the egress cable. Note: Never attempt to move the egress device handle while the cable is coiled.
3. Remove the outer adjustment collar from the cable shroud by loosening the hex screw.
4. Ensure that the egress handle is in the flush (not engaged) position. Slide the cable shroud through the 1/4" hole (2nd hole up from the bottom of the frame) as shown in Fig. 1. Slide the egress cable into the hole of on the disconnect arm as shown in Fig. 2.
5. Allow the cable shroud to extend 2" into the frame (Fig. 2) and re-install the first collar so that both collars are fastened securely on each side of the frame.
6. Be sure that the egress handle is flush in the egress box to pick up any slack on the cable. Using a pair of needle nose pliers bend the cable around the disconnect arm and wrap back around itself with two loops (Fig. 3).
7. Activate egress handle, disconnect arm should pull to the right and disconnect the coupling from the internal operator drive sprocket (Fig. 4). Be sure that the disconnect arm fully releases the coupling from the sprocket. Make adjustments to the cable as necessary. Note: when the egress handle is released (flush inside the egress box), the disconnect arm should not be applying any pressure (touching) the coupling.
8. After mounting the egress device to the wall, be sure to check that the cable shroud is not obstructed in any way or that it does not make any sharp turns prior to entering the operator frame. The cable in the shroud must move freely in order to engage or disengage properly.

02.09.09	C.S.	D.J.	NICE GROUP CANADA INC.		
DATE:	APPROVED:	DRAWN BY:	TITLE		
UNLESS OTHERWISE SPECIFIED DIMENSIONS ARE IN INCHES TOLERANCES .XX=±.010 ANGLES=±30'			EMERGENCY EGRESS DEVICE INSTALLATION INSTRUCTIONS		
MATERIAL		WEIGHT		SIZE	
REVISION:A			CAD FILE: MICANAN EGRESS BOX	SCALE:	PAGE